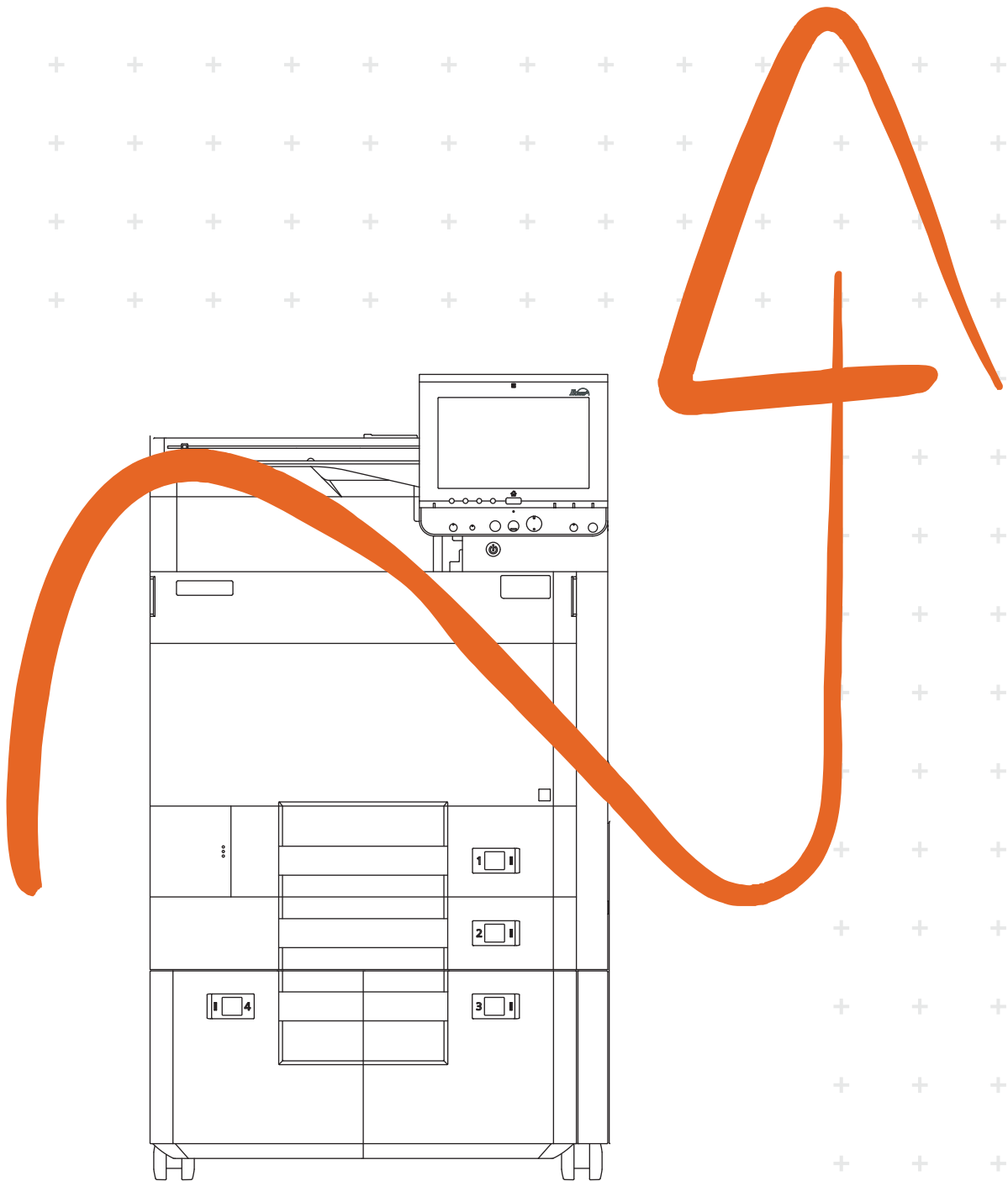


Operation Guide

ECOSYS P4060dn



Preface

Thank you for purchasing this machine.

This Operation Guide is intended to help you operate the machine correctly, perform routine maintenance, and take simple troubleshooting measures as needed so that the machine can always be used in the optimum condition.

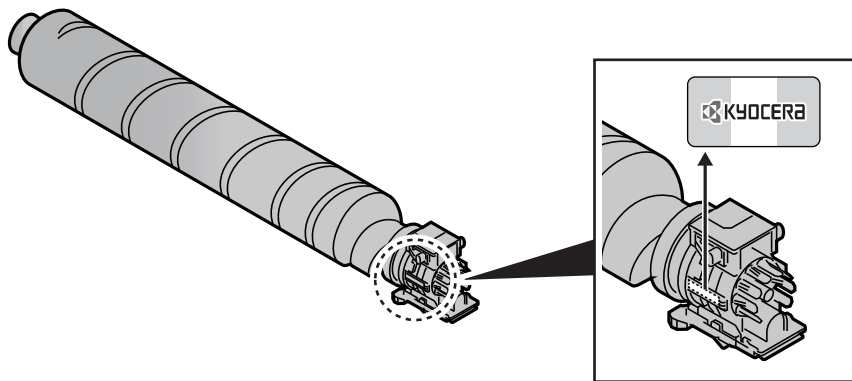
Please read this Operation Guide before using the machine.

We recommend the use of our genuine toner containers, which have passed rigorous quality control testing, to maintain quality.

The use of non-genuine toner containers may cause failure.

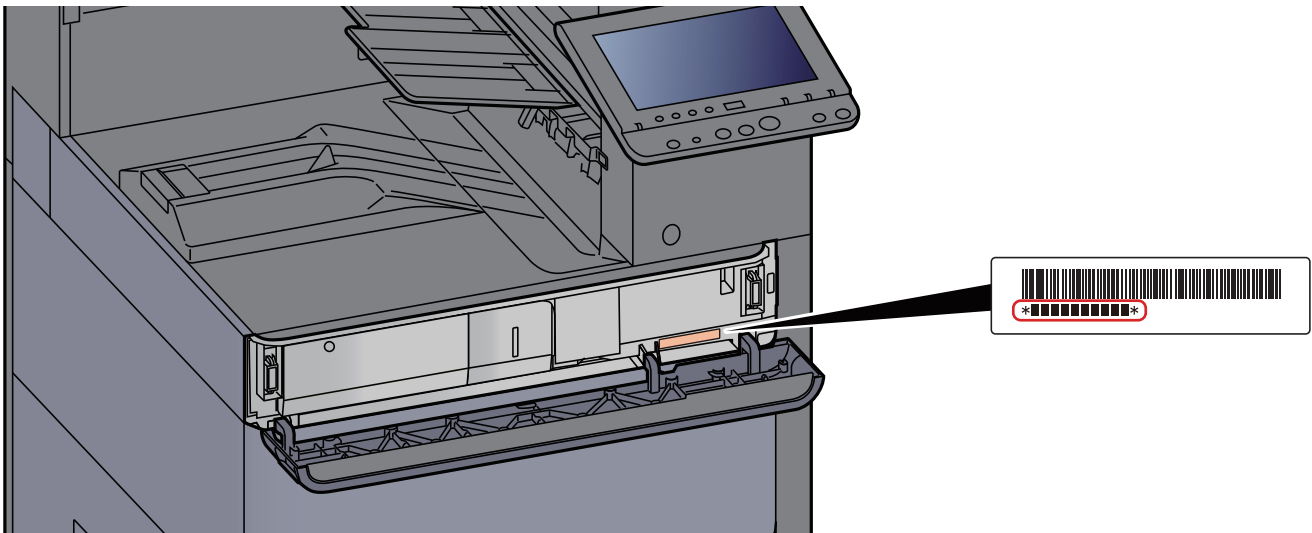
We will not be liable for any damages caused by the use of third party supplies in this machine.

A label is affixed to our genuine supplies, as shown below.



Checking the Equipment's Serial Number

The equipment's serial number is printed in the location shown in the figure.



You'll need the equipment's serial number when contacting your Service Representative. Please check the number before contacting your Service Representative.

Contents

Preface	i
Contents	ii
Machine Features	ix
Guides Provided with the Machine	xii
About the Operation Guide (this Guide)	xiii
Structure of the guide	xiii
Conventions Used in This Guide	xiv
Menu Map	xvii

1 Legal and Safety Information 1-1

Notice	1-2
Safety Conventions in This Guide	1-2
Environment	1-3
Precautions for Use	1-4
Laser Safety (Europe)	1-5
SAFETY OF LASER BEAM (USA)	1-6
Safety Instructions Regarding the Disconnection of Power	1-7
Compliance and Conformity	1-7
Radio Tag Technology	1-8
Other precautions (for users in California, the United States)	1-8
EN ISO 7779	1-8
EK1-ITB 2000	1-8
Wireless Connection (Mexico only)	1-8
Security Precautions when Using Wireless LAN (If equipped)	1-8
Limited Use of This Product (If equipped)	1-9
Legal Information	1-10
Energy Saving Control Function	1-16
Automatic 2-Sided Print Function	1-16
Resource Saving - Paper	1-16
Environmental benefits of "Power Management"	1-16
Energy Star (ENERGY STAR®) Program	1-16

2 Installing and Setting up the Machine 2-1

Part Names (Machine Exterior)	2-2
Part Names (Connectors/Interior)	2-4
Part Names (With Optional Equipments Attached)	2-5
Connecting the Machine and Other Devices	2-6
Connecting Cables	2-7
Connecting LAN Cable	2-7
Connecting USB Cable	2-8
Connecting the Power Cable	2-8
Power On/Off	2-9
Power On	2-9
Power Off	2-9
Using the Operation Panel	2-10
Operation Panel Keys	2-10
Adjusting the Operation Panel Angle	2-11
Assigning Functions to Function Keys	2-12
Touch Panel	2-13
Home Screen	2-13
Display for Device Information	2-16
Display Setting Screen	2-16
Functions Key	2-17
Using the Screen	2-17
Display of Keys That Cannot Be Set	2-18
Entering Numbers	2-19

	Using the Enter Key	2-20
	Using the Quick No. Search Key	2-20
	Help Screen	2-21
	Login/Logout	2-22
	Login	2-22
	Logout	2-23
	Default Settings of the Machine	2-24
	Setting Date and Time	2-24
	Network Setup	2-25
	Configuring the Wired Network	2-25
	Configuring the Wireless Network	2-27
	Setting Wi-Fi Direct	2-31
	Configuring NFC	2-33
	Energy Saver Function	2-34
	Low Power Mode	2-34
	Sleep	2-34
	Auto Sleep	2-35
	Sleep Rules (models for Europe)	2-35
	Sleep Level (Energy Saver) (models except for Europe)	2-35
	Energy Saver Recovery Level	2-35
	Weekly Timer Settings	2-35
	Power Off Timer (models for Europe)	2-36
	Quick Setup Wizard	2-37
	Installing Software	2-39
	Software on DVD (Windows)	2-39
	Installing Software in Windows	2-40
	Uninstalling the Software	2-45
	Installing Software in Mac Computer	2-46
	Checking the Counter	2-48
	Additional Preparations for the Administrator	2-49
	Strengthening the Security	2-49
	Command Center RX	2-51
	Accessing Command Center RX	2-52
	Changing Security Settings	2-53
	Changing Device Information	2-54
	E-mail Settings	2-55
	Creating a New Custom Box	2-59
	Printing a Document Stored in a Custom Box	2-60
3	Preparation before Use	3-1
	Loading Paper	3-2
	Precaution for Loading Paper	3-2
	Selecting the Paper Feeder Units	3-3
	Loading in Cassette 1	3-4
	Loading in Cassette 2	3-7
	Loading Envelopes or Cardstock in the Cassettes	3-10
	Loading in the Large Capacity Feeder	3-14
	Loading in the Side Feeder	3-16
	Precautions for Outputting Paper	3-18
	Paper Stopper	3-18
	Envelope Stack Guide	3-18
	Stack Level Adjuster	3-19
4	Printing from PC	4-1
	Printer Driver Properties Screen	4-2
	Displaying the Printer Driver Help	4-3
	Changing the Default Printer Driver Settings (Windows 8.1)	4-3
	Printing from PC	4-4

Printing on Standard Sized Paper	4-4
Printing on Non-standard Sized Paper	4-6
Banner Printing	4-9
Canceling Printing from a Computer	4-15
Printing from the Handheld Device	4-16
Printing by AirPrint	4-16
Printing by Google Cloud Print	4-16
Printing by Mopria	4-16
Printing with Wi-Fi Direct	4-16
Printing with NFC	4-17
Printing Data Saved in the Printer	4-18
Specifying the Job Box from a Computer and Storing the Job	4-18
Printing Documents from Private Print Box	4-19
Deleting the Documents Stored in the Private Print Box	4-19
Printing Document from Stored Job Box	4-20
Deleting the Documents Stored in the Stored Job Box	4-20
Printing Document from Quick Copy Box	4-21
Deleting the Documents Stored in the Quick Copy Box	4-21
Printing Document from Proof and Hold Box	4-22
Deleting the Documents Stored in the Proof and Hold Box	4-22
Monitoring the Printer Status (Status Monitor)	4-23
Accessing the Status Monitor	4-23
Exiting the Status Monitor	4-23
Quick View State	4-23
Printing Progress Tab	4-24
Paper Tray Status Tab	4-24
Toner Status Tab	4-24
Alert Tab	4-25
Status Monitor Context Menu	4-25
Status Monitor Notification Settings	4-26

5 Operation on the Machine 5-1

Loading Paper in the Multipurpose Tray	5-2
Program	5-6
Registering Programs	5-6
Recalling Programs	5-7
Editing Programs	5-7
Deleting Programs	5-8
Application	5-9
Installing Applications	5-9
Activating Applications	5-10
Deactivating Applications	5-11
Uninstalling Applications	5-11
Registering Shortcuts	5-12
Adding Shortcuts	5-12
Editing Shortcuts	5-13
Deleting Shortcuts	5-13
Canceling Jobs	5-14
Using Document Boxes	5-15
What is Custom Box?	5-15
What is Job Box?	5-15
What is Removable Memory Box?	5-15
Basic Operation for Document Box	5-16
Creating a New Custom Box	5-21
Editing Custom Box	5-22
Deleting Custom Box	5-23
Storing Documents to a Custom Box	5-23
Printing Documents in Custom Box	5-24
Moving Documents in Custom Box	5-25

	Deleting Documents in Custom Box	5-25
	Operating using Removable USB Memory	5-26
	Printing Documents Stored in Removable USB Memory	5-26
	Check the USB Memory Information	5-27
	Removing USB Memory	5-27
	Using the Internet Browser	5-28
	Launching and Exiting the Browser	5-28
	Using the Browser Screen	5-29
	Manual Staple	5-30
6	Using Various Functions	6-1
	Functions Available on the Machine	6-2
	About Functions Available on the Machine	6-2
	Custom Box	6-2
	Removable Memory	6-4
	Functions	6-5
	Paper Selection	6-5
	Fold	6-7
	Collate/Offset	6-8
	Staple/Punch	6-9
	Paper Output	6-12
	EcoPrint	6-13
	Zoom	6-13
	Combine	6-14
	Margin/Centering, Margin	6-15
	Booklet	6-16
	Duplex	6-18
	Cover	6-19
	Form Overlay	6-20
	Page #	6-21
	Text Stamp	6-23
	Bates Stamp	6-24
	Job Finish Notice	6-25
	File Name Entry	6-25
	Priority Override	6-25
	Delete after Printed	6-26
	Encrypted PDF Password	6-26
	JPEG/TIFF Print	6-26
	XPS Fit to Page	6-26
7	Status/Job Cancel	7-1
	Checking Job Status	7-2
	Details of the Status Screens	7-3
	Checking Detailed Information of Jobs	7-6
	Checking Job History	7-7
	Checking the Detailed Information of Histories	7-8
	Sending the Log History	7-8
	Job Operation	7-9
	Pause and Resumption of Jobs	7-9
	Canceling of Jobs	7-9
	Priority Override for Waiting Jobs	7-9
	Reordering Print Jobs	7-10
	Device/Communication	7-11
	Checking the Remaining Amount of Toner and Paper (Paper/Supplies)	7-12
8	Setup and Registration (System Menu)	8-1
	System Menu	8-2

Operation Method	8-2
System Menu Settings	8-3
Counter	8-6
Cassette/MP Tray Settings	8-6
Common Settings	8-9
Home	8-22
Document Box/Removable Memory	8-22
Printer	8-23
Report	8-26
System/Network	8-30
User Login/Job Accounting	8-49
User Property	8-50
Date/Timer/Energy Saver	8-50
Adjustment/Maintenance	8-53
Internet	8-55
Application	8-55

9 User Authentication and Accounting (User Login, Job Accounting) .. 9-1

Overview of User Login Administration	9-2
Managing the Users from PC	9-2
Enabling User Login Administration	9-3
Setting User Login Administration	9-4
Changing User Properties	9-4
User Login Administration for Printing	9-7
Group Authorization Settings	9-9
Guest Authorization Set.	9-11
Obtain NW User Property	9-13
Simple Login Settings	9-15
ID Card Settings	9-17
PIN Code Authorization	9-18
Using User Login Administration	9-19
Login/Logout	9-19
Overview of Job Accounting	9-20
Enabling Job Accounting	9-21
Job Accounting Access	9-21
Job Accounting (Local)	9-22
Adding an Account	9-22
Restricting the Use of the Machine	9-23
Editing an Account	9-23
Deleting an Account	9-25
Job Accounting for Printing	9-26
Configuring Job Accounting	9-28
Default Setting	9-28
Counting the Number of Pages Printed	9-30
Print Accounting Report	9-32
Using Job Accounting	9-33
Login/Logout	9-33
Apply Limit	9-34
Unknown User Settings	9-35
Unknown ID Job	9-35
Registering Information for a User whose ID is Unknown	9-36

10 Troubleshooting **10-1**

Regular Maintenance	10-2
Toner Container Replacement	10-2
Replace the Waste Toner Box	10-5
Loading Paper	10-6
Replacing Staples (1,000-Sheet Finisher)	10-7

Replacing Staples (4,000-Sheet Finisher)	10-8
Replacing Staples (Folding Unit)	10-10
Disposing of the Punch Waste	10-12
Troubleshooting	10-16
Solving Malfunctions	10-16
Machine Operation Trouble	10-16
Printed Image Trouble	10-19
Remote Operation	10-21
Responding to Messages	10-23
Adjustment/Maintenance	10-34
Overview of Adjustment/Maintenance	10-34
Drum Refresh	10-34
Calibration	10-34
Laser Scanner Cleaning	10-34
Developer Refresh	10-35
Clearing Paper Jams	10-36
Jam Location Indicators	10-36
Remove any jammed paper in Cassette 1	10-37
Remove any jammed paper in Cassette 2	10-40
Remove any jammed paper in Cassette 3 and 4 (500-sheet×2)	10-43
Remove any jammed paper in Cassette 3 (1,500-sheet×2)	10-45
Remove any jammed paper in Cassette 4 (1,500-sheet×2)	10-47
Remove any jammed paper in Cassette 5 (Side Feeder)	10-50
Remove any jammed paper in the Multipurpose Tray	10-52
Remove any jammed paper in Right Cover 1	10-53
Remove any jammed paper in Right Cover 2 (500-sheet×2)	10-57
Remove any jammed paper in Right Cover 2 (1,500-sheet×2)	10-58
Remove any jammed paper in the Bridge Unit	10-60
Remove any jammed paper in the Mailbox	10-61
Remove any jammed paper in the 1,000-Sheet Finisher	10-62
Remove any jammed paper in the 4,000-sheet Finisher (Inner)	10-65
Remove any jammed paper in the 4,000-sheet Finisher (Tray A)	10-66
Remove any jammed paper in the 4,000-sheet Finisher (Tray B)	10-70
Remove any jammed paper in the Folding Unit	10-73
Remove any jammed paper in the Folding Tray	10-78
Clearing a Staple Jam	10-83
Clearing a Staple Jam of the 1,000-Sheet Finisher	10-83
Clearing a Staple Jam of the 4,000-Sheet Finisher	10-86
Clearing a Staple Jam of the Folding Unit	10-88

11 Appendix	11-1
Optional Equipment	11-2
Overview of Optional Equipment	11-2
Optional Applications	11-7
Starting Application Use	11-7
Checking Details of Application	11-8
Character Entry Method	11-9
Entry Screens	11-9
Entering Characters	11-11
Paper	11-12
Basic Paper Specifications	11-12
Choosing the Appropriate Paper	11-13
Special Paper	11-15
Specifications	11-19
Machine	11-19
Printer Functions	11-21
Paper Feeder (500-sheet×2)	11-22
Large Capacity Feeder (1,500-sheet×2)	11-22
Side Feeder (3,000-sheet)	11-22

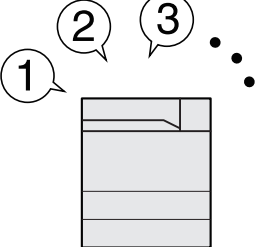
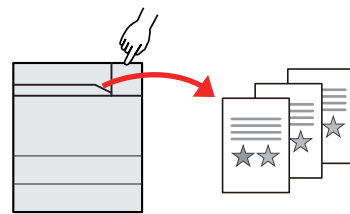
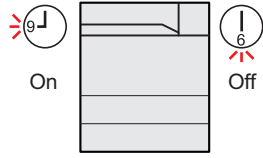
1,000-Sheet Finisher	11-23
4,000-Sheet Finisher	11-24
Punch Unit (For 1,000-Sheet/4,000-Sheet Finisher)	11-24
Mailbox	11-25
Folding Unit	11-25
Job Separator Tray	11-26
Banner Tray	11-26
Glossary	11-27
Index	Index-1

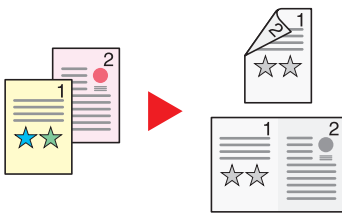
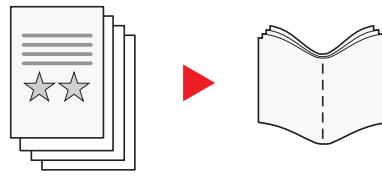

Machine Features

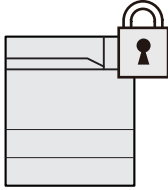
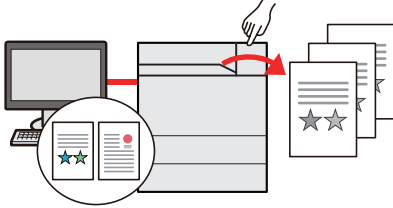
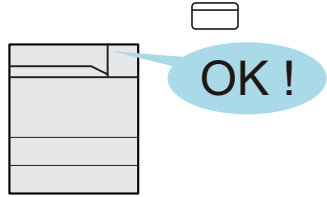
The machine is equipped with many useful functions.

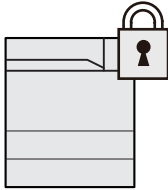
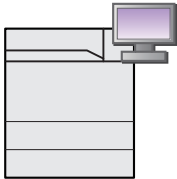
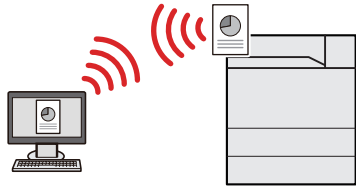
➔ [Using Various Functions \(page 6-1\)](#)

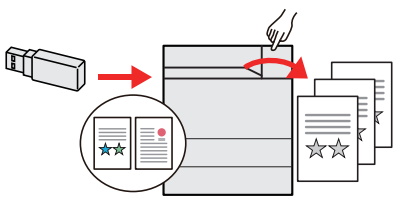
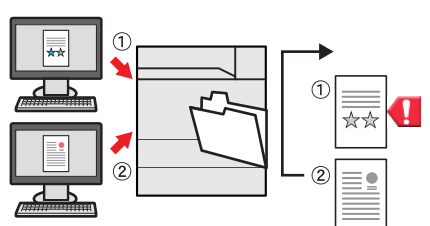
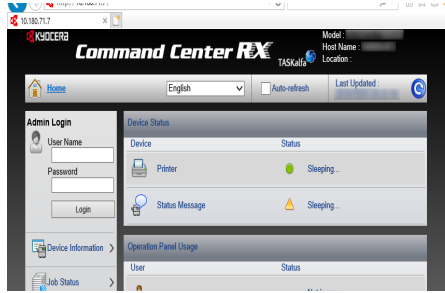
Here are some examples.

Optimize your office workflow		Save energy and cost
<p>Access to frequently used functions with just one touch (Program)</p>  <p>You can preset frequently used functions.</p> <p>Once you register frequently used settings as favorite, you can call up the settings easily. Using this favorite brings the same results even if operated by another person.</p> <p>➔ Program (page 5-6)</p>	<p>Save frequently used documents in the machine (Custom Box)</p>  <p>You can save the frequently used document in the machine and print it when needed.</p> <p>➔ Creating a New Custom Box (page 5-21)</p>	<p>Save energy as needed (Energy Saver function)</p>  <p>The machine is equipped with Energy Saver function that automatically switched into Low Power Mode or Sleep Mode. You can set appropriate Energy Saver Recovery Level depending on the operation.</p> <p>In addition, set the machine to automatically turn OFF and recovered at a specified time for each day of the week.</p> <p>➔ Energy Saver Function (page 2-34)</p>

Save energy and cost	Create attractive documents	
<p>Reduce paper use (Paper Saving Printing)</p>  <p>You can print originals on both sides of the paper. You can also print multiple originals onto one sheet.</p> <p>➔ Program (page 5-6)</p>	<p>Create a booklet (Booklet)</p>  <p>It is useful when preparing handout. You can create a magazine, pamphlet, or other booklet from originals.</p> <p>A booklet, such as a magazine, is made by folding at the center.</p> <p>The cover page can be printed onto colored paper or heavy paper.</p> <p>➔ Booklet (page 6-16)</p>	<p>Print a stamp on the documents (Text Stamp / Bates Stamp)</p>  <p>It is useful when adding text or date. You can add desired text and date as a stamp.</p> <p>➔ Text Stamp (page 6-23) ➔ Bates Stamp (page 6-24)</p>

Strengthen security		
<p>Protect data on the hard disk/SSD (Encryption / Overwrite)</p>  <p>You can overwrite the unnecessary data that remains on the hard disk/SSD automatically. To prevent an external leakage, the machine is able to encrypt data before writing it to the hard disk/SSD.</p> <p>➔ Data Security (page 8-47)</p>	<p>Prevent loss of finished documents (Private Print)</p>  <p>Temporarily saving print jobs in the main unit document box and outputting them when in front of the device can prevent documents from being taken by others.</p> <p>➔ Printing Data Saved in the Printer (page 4-18)</p>	<p>Log in by ID card (Card Authentication)</p>  <p>You can log in simply by touching an ID card. You don't need to enter your user name and password.</p> <p>➔ Card Authentication Kit(B) "Card Authentication Kit" (page 11-6)</p>

Strengthen security	Use functions more efficiently	
<p>Strengthen security (Settings for Administrator)</p>  <p>Various functions are available for administrators to strengthen security.</p> <p>➔ Strengthening the Security (page 2-49)</p>	<p>Expand functions as necessary (Application)</p>  <p>The functionality of the machine can be expanded by installing applications. Applications that help you perform your daily more efficiently such as an authentication feature are available.</p> <p>➔ Application (page 5-9)</p>	<p>Install the machine without concerning the network cables (Wireless Network)</p>  <p>If there is a wireless LAN environment, it is possible to install the unit without worrying about the network wiring. In addition, Wi-Fi Direct, etc. are supported.</p> <p>➔ Configuring the Wireless Network (page 2-27)</p> <p>➔ Setting Wi-Fi Direct (page 2-31)</p> <p>➔ Configuring NFC (page 2-33)</p>

Use functions more efficiently		
<h3>Use USB memory (USB Memory)</h3>  <p>It is useful when you need to print documents outside your office or you cannot print documents from your PC.</p> <p>You can print the document from the USB memory by plugging it directly into the machine.</p> <p>➔ Printing Documents Stored in Removable USB Memory (page 5-26)</p>	<h3>Skip the error job (Job Skip Functions)</h3>  <p>When paper empty error occurs at the cassette by specifying the special paper size or type, the machine skips the error job and perform the next job.</p> <p>➔ Error Job Skip (page 8-51)</p>	<h3>Perform remote operation (Command Center RX)</h3>  <p>You can access to the machine remotely to print data.</p> <p>Administrators can configure the machine behavior or management settings.</p> <p>➔ Command Center RX (page 2-51)</p>

Guides Provided with the Machine

The following guides are provided with the machine. Refer to each guide as needed.

The contents of the guides are subject to change without notice for the purpose of improvement of machine performance.

Printed Guides

Start using the machine quickly



Quick Guide

Explains how to use basic functions of the machine, how to use convenient features, how to perform routine maintenance, and what to do when problems occur.

For safe use of the machine



Safety Guide

Provides safety and cautionary information for installation environment and use of the machine. Be sure to read this guide before using the machine.

Safety Guide (ECOSYS P4060dn)

Indicates the space required for machine installation, and describes the cautionary labels and other safety information. Be sure to read this guide before using the machine.

Guides (PDF) on the DVD (Product Library)

Use the machine thoughtfully



Operation Guide (This Guide)

Explains how to load paper and perform basic operations, and indicates default settings and other information.

Use the ID card



Card Authentication Kit (B) Operation Guide

Explains how to perform authentication using the ID card.

Strengthen security



Data Security Kit (E) Operation Guide

Explains how to introduce and use the Data Security kit (E), and how to overwrite and encrypt data.

Easily register machine information and configure settings



Command Center RX User Guide

Explains how to access the machine from a Web browser on your computer to check and change settings.

Print data from a computer



Printer Driver User Guide

Explains how to install the printer driver and use the printer function.

Directly print a PDF file



KYOCERA Net Direct Print Operation Guide

Explains how to print PDF files without launching Adobe Acrobat or Reader.

Monitor the machine and printers on the network



KYOCERA Net Viewer User Guide

Explains how to monitor your network printing system (the machine) with KYOCERA Net Viewer.

Print without using the printer driver



PRESCRIBE Commands Command Reference

Describes the native printer language (PRESCRIBE commands).

PRESCRIBE Commands Technical Reference

Describes the PRESCRIBE command functions and control for each type of emulation.

Install the following versions of Adobe Reader to view the manuals on the DVD.

Version 8.0 or later

About the Operation Guide (this Guide)

Structure of the guide

The Operation Guide contains the following chapters.

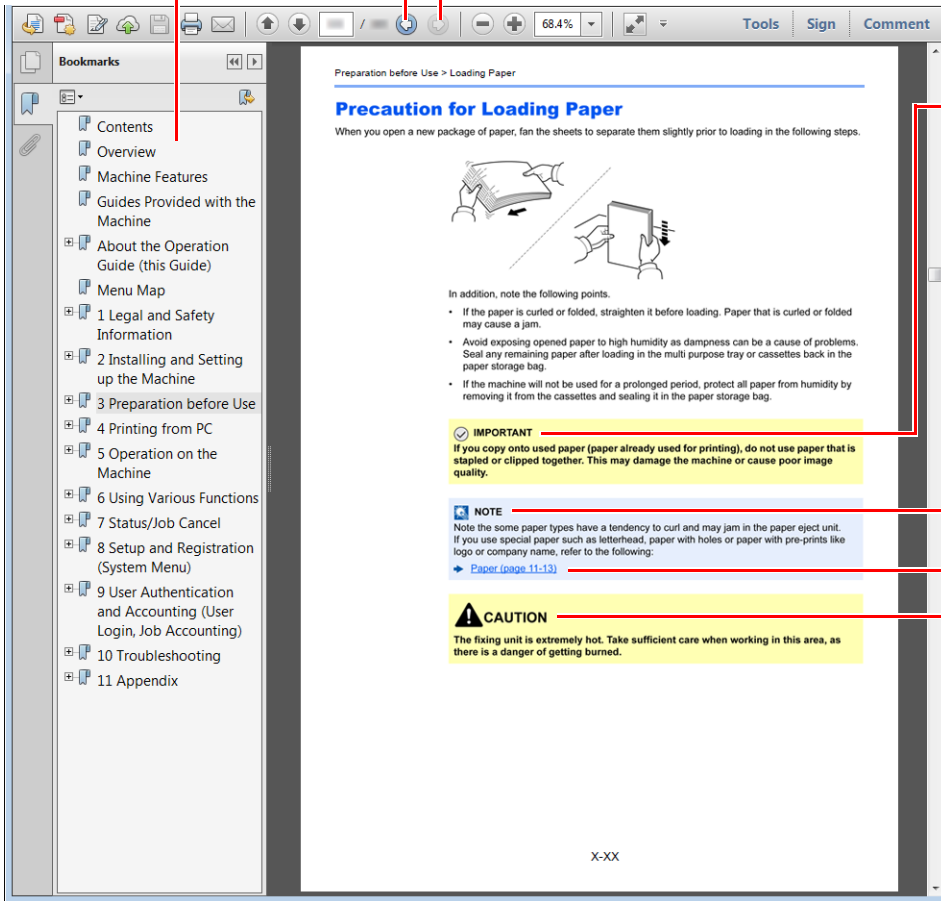
Chapter		Contents
1	Legal and Safety Information	Provides precautions regarding use of the machine and trademark information.
2	Installing and Setting up the Machine	Explains part names, cable connections, installation of the software, login, logout, and other matters related to administration of the machine.
3	Preparation before Use	Explains preparations and settings that are required in order to use the machine, such as how to load paper.
4	Printing from PC	Explains the basic steps for printing.
5	Operation on the Machine	Explains the basic procedures for using the machine, such as using document boxes.
6	Using Various Functions	Explains convenient functions that are available on the machine.
7	Status/Job Cancel	Explains how to check the status of a job and the job history, and how to cancel jobs being printed or waiting to print. Also explains how to check paper and toner levels, and how to check the device status.
8	Setup and Registration (System Menu)	Explains System Menu and how it relates to the operation of the machine.
9	User Authentication and Accounting (User Login, Job Accounting)	Explains user login and job accounting.
10	Troubleshooting	Explains what to do when toner runs out, an error is displayed, or a paper jam or other problem occurs.
11	Appendix	Describes convenient options that are available for the machine. Provides information on media types and paper sizes, and gives a glossary of terms. Explains how to enter characters, and lists the specifications of the machine.

Conventions Used in This Guide

Adobe Reader XI is used as an example in the explanations below.

Click an item in the Table of Contents to jump to the corresponding page.

Click to move from the current page to the previously displayed page. This is convenient when you want to return to the page from which you jumped to the current page.



IMPORTANT

Indicates operational requirements and restrictions to operate the machine correctly, and avoid damage to the machine or property.

NOTE

Indicates supplemental explanations and reference information for operations.

Refer to

Click the underlined text to jump to the corresponding page.

CAUTION

Indicates that personal injury or mechanical damage may result from insufficient attention to or incorrect compliance with the related points.

NOTE

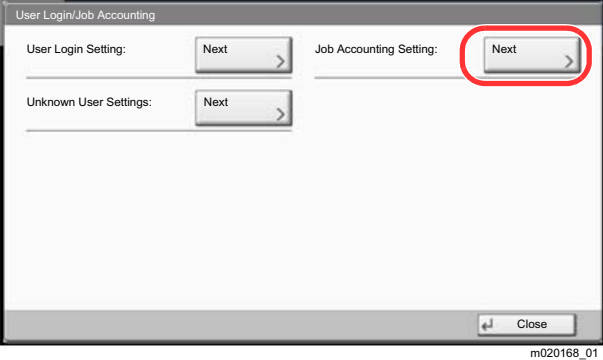
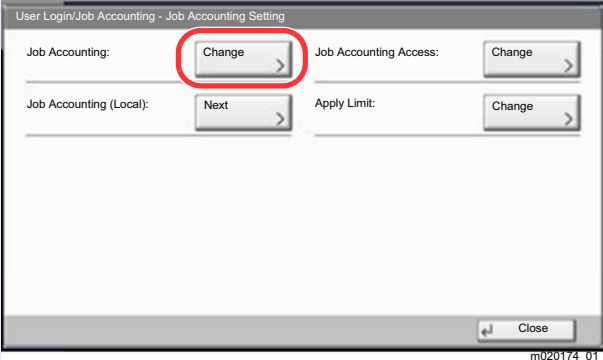
The items that appear in Adobe Reader vary depending on how it is used. If the Table of Contents or tools do not appear, refer to Adobe Reader Help.

Certain items are indicated in this guide by the conventions described below.

Convention	Description
[Bold]	Indicates keys and buttons.
"Regular"	Indicates a message or setting.

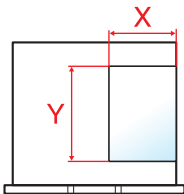

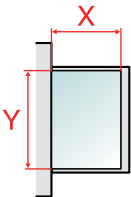
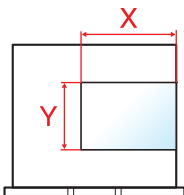

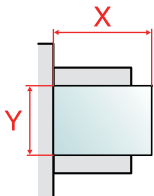
Conventions Used in Procedures for Operating the Machine

In this Operation Guide, continuous operation of the keys on the touch panel is as follows:

Actual procedure	Procedure indicated in this guide
<p>Select the [System Menu/Counter] key.</p> <p>▼</p> <p>Select [√].</p> <p>▼</p> <p>Select [Date/Timer/Energy Saver].</p> <p>▼</p> <p>Select [Date/Time].</p>	<p>[System Menu/Counter] key > [Date/Timer/Energy Saver] > [Date/Time]</p>
<p>Select [Next] of "Job Accounting Setting".</p>  <p>▼</p> <p>Select [Change] of "Job Accounting".</p> 	<p>"Job Accounting Setting" [Next] > "Job Accounting" [Change]</p>

Size and Orientation of Paper

Paper sizes such as A4, B5, and Letter can be used in both the horizontal and vertical orientations. To distinguish the orientations when these sizes are used, "R" is added to sizes used in the horizontal orientation. In addition, the following icons are used to indicate paper placement orientations on the touch panel.

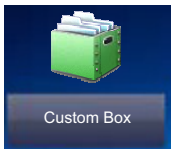
Orientation		Setting Position (X=Length, Y=Width)	Icons on the touch panel	Indicated size in this Guide ^{*1}
Vertical orientation	Cassette			A4, B5, Letter .etc
	Multipurpose tray			
Horizontal orientation (-R)	Cassette			A4-R, B5-R, Letter-R .etc
	Multipurpose tray			

*1 Paper sizes that can be used vary depending on the function and source tray. For details, refer to the following.

➔ [Specifications \(page 11-19\)](#)

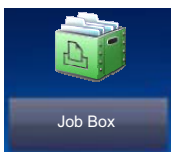
Menu Map

This is a list of menus displayed on the touch panel. Depending on the settings, some menus may not be displayed. Some menu names may differ from their reference titles.

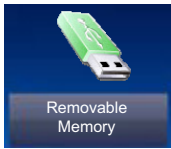


Custom Box	Open	Print	Functions	Paper Selection (page 6-5)
				Collate/Offset (page 6-8)
				Staple/Punch
				Staple (page 6-9)
				Punch (page 6-11)
				Paper Output (page 6-12)
				Combine (page 6-14)
				Margin/Centering (page 6-15)
				Booklet (page 6-16)
				Duplex (page 6-18)
				Cover (page 6-19)
				Form Overlay (page 6-20)
				Page # (page 6-21)
				Job Finish Notice (page 6-25)
				File Name Entry (page 6-25)
				Delete after Printed (page 6-26)
				Priority Override (page 6-25)
				EcoPrint (page 6-13)
				Zoom (page 6-13)
				Fold (page 6-7)
				Text Stamp (page 6-23)
				Bates Stamp (page 6-24)
			Program (page 5-6)	

Custom Box	Open	Move (page 5-25)
		Delete (page 5-25)
		Search(Name) (page 5-17)
		Page Selection (page 5-17)
		Detail (page 5-17)
		Preview (page 5-19)
	Detail (page 5-16)	
	Search(Name) (page 5-16)	
	Search(No.) (page 5-16)	
	Add/Edit Box (page 5-21)	



Job Box	Private Print/Stored Job (page 4-19 , page 4-20)
	Quick Copy/Proof and Hold (page 4-21 , page 4-22)

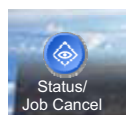


Removable Memory	Print	Functions	Paper Selection (page 6-5)	
			Collate/Offset (page 6-8)	
			Staple/Punch	Staple (page 6-9)
				Punch (page 6-11)
			Paper Output (page 6-12)	
			Margin (page 6-15)	
			Duplex (page 6-18)	
			Job Finish Notice (page 6-25)	
			Priority Override (page 6-25)	
			EcoPrint (page 6-13)	
			Fold (page 6-7)	
			Text Stamp (page 6-23)	
			Bates Stamp (page 6-24)	
			Encrypted PDF Password (page 6-26)	
			JPEG/TIFF Print (page 6-26)	
			XPS Fit to Page (page 6-26)	
			Detail (page 5-17)	
Open (page 5-26)				
Up (page 5-26)				
Memory Information (page 5-27)				
Remove Memory (page 5-27)				

Status/
Job Cancel



or

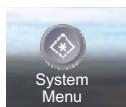


Printing Jobs (page 7-3)
Storing Jobs (page 7-5)
Device/Communication (page 7-11)
Paper/Supplies (page 7-12)

System Menu /
Counter



or



Quick Setup Wizard	Network Setup (page 2-37)	
	Energy Saver Setup (page 2-37)	
Counter (page 2-48)		
Cassette/MP Tray Settings	Cassette 1 (page 8-6)	
	Cassette 2 (page 8-6)	
	Cassette 3 (page 8-6)	
	Cassette 4 (page 8-6)	
	Cassette 5 (page 8-6)	
	MP Tray Setting (page 8-7)	
Common Settings	Language (page 8-9)	
	Default Screen (page 8-9)	
	Buzzer (page 8-9)	
	Paper Settings	Media Type Setting (page 8-10)
		Custom Paper Size (page 8-10)
		Default Paper Source (page 8-10)
		Show Paper Setup Message (page 8-11)
		Paper Source for Cover (page 8-11)
		Special Paper Action (page 8-11)
	Measurement (page 8-12)	
	Error Handling	Duplexing Error (page 8-13)
		Finishing Error (page 8-13)
		No Staple Error (page 8-13)
		Finished Pages Exceeded (page 8-13)
		Punch Waste Full Error (page 8-13)
		Paper Mismatch Error (page 8-13)
		Inserted Paper Mismatch (page 8-14)
Paper Jam before Staple (page 8-14)		
Paper Output (page 8-14)		
Function Key Assignment (page 8-15)		

Common Settings	Function Defaults	Zoom (page 8-15)
		Margin Default (page 8-15)
		EcoPrint (page 8-15)
		Collate/Offset (page 8-15)
		Toner Save Level (EcoPrint) (page 8-15)
		File Name Entry (page 8-15)
		JPEG/TIFF Print (page 8-16)
		XPS Fit to Page (page 8-16)
	Keyboard Layout (page 8-16)	
	Optional Keyboard Type (page 8-16)	
	System Stamp (page 8-16)	
	Manual Staple (page 8-18)	
	Offset Documents by Job (page 8-18)	
	Low Toner Alert Level (page 8-19)	
	Toner Waste Full Alert (page 8-19)	
	Offset One Page Documents (page 8-19)	
	Display Status/Log (page 8-20)	
	Message Banner Print (page 8-20)	
	Customize Status Display (page 8-20)	
	Message Board Settings (page 8-21)	
Numeric Keypad Settings (page 8-21)		
Show Power Off Message (page 8-22)		
Home	Customize Desktop (page 2-14)	
	Customize Taskbar (page 2-14)	
	Wallpaper (page 2-14)	
Document Box/Removable Memory	Custom Box (page 5-15)	
	Job Box	Quick Copy Job Retention (page 8-22)
		Deletion of Job Retention (page 8-22)
	Quick Setup Registration (page 8-22)	

Printer	Emulation (page 8-23)
	EcoPrint (page 8-23)
	Toner Save Level (EcoPrint) (page 8-23)
	Override A4/Letter (page 8-23)
	Duplex (page 8-23)
	Copies (page 8-23)
	Orientation (page 8-23)
	Form Feed Timeout (page 8-23)
	LF Action (page 8-24)
	CR Action (page 8-24)
	Job Name (page 8-24)
	User Name (page 8-24)
	Paper Feed Mode (page 8-24)
	MP Tray Priority (page 8-24)
	Auto Cassette Change (page 8-24)
	Wide A4 (page 8-24)
	Resolution (page 8-25)
	KIR (page 8-25)
Printing Job Terminator (page 8-25)	

Report	Print Report	Status Page (page 8-26)	
		Font List (page 8-26)	
		Network Status (page 8-26)	
		Service Status (page 8-26)	
		Optional Network Status (page 8-27)	
		Configuration List (page 8-27)	
		Data Sanitization Report (page 8-27)	
	Sending Log History	Auto Sending (page 8-27)	
		Sending Log History (page 8-27)	
		Destination (page 8-27)	
		Job Log Subject (page 8-27)	
		Personal Information (page 8-27)	
	Login History Settings	Login History (page 8-27)	
		Auto Sending (page 8-27)	
		Destination (page 8-28)	
		Subject (page 8-28)	
		Log Reset (page 8-28)	
	Device Log History Settings	Device Log History (page 8-28)	
		Auto Sending (page 8-28)	
		Destination (page 8-28)	
		Subject (page 8-28)	
	Secure Comm. Error Log	Secure Comm. Error Log (page 8-29)	
		Auto Sending (page 8-29)	
		Destination (page 8-29)	
Subject (page 8-29)			
System/Network	Network	Host Name (page 8-30)	
		Wi-Fi Direct Settings	Wi-Fi Direct (page 8-30)
			Device Name (page 8-30)
			IP Address (page 8-30)
			Auto Disconnect (page 8-30)
		Wi-Fi Settings	Wi-Fi (page 8-31)
			Setup (page 8-31)
			TCP/IP Setting (page 8-33)
			Restart Network (page 8-34)

System/Network	Network	Wired Network Settings	TCP/IP Setting (page 8-35)
			LAN Interface (page 8-37)
		Bonjour (page 8-37)	
		IPSec (page 8-37)	
		Protocol Settings	SMTP (E-mail TX) (page 8-37)
			POP3 (E-mail RX) (page 8-37)
			ThinPrint (page 8-38)
			FTP Server (Reception) (page 8-38)
			LPD (page 8-38)
			NetBEUI (page 8-38)
			Raw (page 8-38)
			WSD Print (page 8-39)
			SNMPv1/v2c (page 8-39)
			SNMPv3 (page 8-39)
			Enhanced WSD (page 8-39)
			Enhanced WSD over SSL (page 8-39)
			IPP (page 8-39)
			IPP over SSL (page 8-40)
			HTTP (page 8-40)
			HTTPS (page 8-40)
			LDAP (page 8-40)
			VNC (RFB) (page 8-40)
			VNC (RFB) over SSL (page 8-40)
			EnhancedVNC over SSL (page 8-41)
		Security Settings (page 8-41)	
		Proxy (page 8-41)	
		Ping (page 8-42)	
Restart Network (page 8-42)			

System/Network	Optional Network	Basic (page 8-42)
		Wireless Network (page 8-43)
	Primary Network (Client) (page 8-45)	
	Security Level (page 8-45)	
	Interface Block Setting	USB Host (page 8-46)
		USB Device (page 8-46)
		USB Storage (page 8-46)
		Optional Interface 1 (page 8-46)
		Optional Interface 2 (page 8-46)
	Data Security	Hard Disk/SSD Initialization (page 8-47)
		Data Sanitization (page 8-48)
		Software Verification (page 8-48)
	Optional Function (page 8-48)	
	Bluetooth Settings	Bluetooth Keyboard (page 8-48)
		Search Device (page 8-48)
	Restart Entire Device (page 8-49)	
	Remote Service Settings (page 8-49)	
	NFC (page 8-49)	
	Remote Operation (page 8-49)	

User Login/Job Accounting	User Login Setting	User Login (page 9-3)	
		Local User List (page 9-4)	
		Group Authorization Set.	Group Authorization (page 9-9)
			Group List (page 9-9)
		Guest Authorization Set.	Guest Authorization (page 9-11)
			Guest Property (page 9-11)
		Obtain NW User Property (page 9-13)	
		Simple Login Settings	Simple Login (page 9-15)
			Simple Login Key (page 9-15)
		ID Card Settings	Keyboard Login (page 9-17)
			Additional Authentication (page 9-17)
		PIN Code Authorization (page 9-18)	
	Job Accounting Setting	Job Accounting (page 9-21)	
		Job Accounting Access (page 9-21)	
		Job Accounting (Local)	Print Accounting Report (page 9-32)
			Total Job Accounting (page 9-30)
			Each Job Accounting (page 9-31)
			Accounting List (page 9-22)
			Default Setting (page 9-28)
		Apply Limit (page 9-34)	
Unknown User Setting	Unknown ID Job (page 9-35)		
	User Property (page 9-36)		
User Property (page 9-4)			

Date/Timer/Energy Saver	Date/Time (page 8-50)
	Date Format (page 8-50)
	Time Zone (page 8-50)
	Auto Panel Reset (page 8-50)
	Auto Error Clear (page 8-50)
	Low Power Timer (page 8-50)
	Panel Reset Timer (page 8-50)
	Sleep Timer (page 8-51)
	Ping Timeout (page 8-51)
	Error Job Skip (page 8-51)
	Error Clear Timer (page 8-51)
	Sleep Rules (models for Europe) (page 8-51)
	Sleep Level (models except for Europe) (page 8-52)
	EnergySaver RecoveryLevel (page 8-52)
	Weekly Timer Settings (page 8-52)
Power Off Rule (models for Europe) (page 8-53)	
Power Off Timer (models for Europe) (page 8-53)	
Adjustment/Maintenance	Drum Refresh (page 8-53)
	Auto Drum Refresh (page 8-53)
	Drum Heater* ¹ (page 8-53)
	Laser Scanner Cleaning (page 8-53)
	Developer Refresh (page 8-54)
	Open Toner Cover (page 8-54)
	System Initialization (page 8-54)
	Display Brightness (page 8-54)
	Silent Mode (page 8-54)
	Memory Diagnostics (page 8-54)
	Calibration (page 8-54)
	Calibration Cycle (page 8-54)
Internet (page 8-55)	
Application (page 8-55)	

*1 This setting does not appear in some regions.

1 Legal and Safety Information


Please read this information before using your machine. This chapter provides information on the following topics.


Notice	1-2
Safety Conventions in This Guide	1-2
Environment	1-3
Precautions for Use	1-4
Laser Safety (Europe)	1-5
SAFETY OF LASER BEAM (USA)	1-6
Safety Instructions Regarding the Disconnection of Power	1-7
Compliance and Conformity	1-7
Radio Tag Technology	1-8
Other precautions (for users in California, the United States)	1-8
EN ISO 7779	1-8
EK1-ITB 2000	1-8
Wireless Connection (Mexico only)	1-8
Security Precautions when Using Wireless LAN (If equipped)	1-8
Limited Use of This Product (If equipped)	1-9
Legal Information	1-10
Energy Saving Control Function	1-16
Automatic 2-Sided Print Function	1-16
Resource Saving - Paper	1-16
Environmental benefits of "Power Management"	1-16
Energy Star (ENERGY STAR®) Program	1-16

Notice

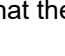
Safety Conventions in This Guide

The sections of this guide and parts of the machine marked with symbols are safety warnings meant to protect the user, other individuals and surrounding objects, and ensure correct and safe usage of the machine. The symbols and their meanings are indicated below.


 **WARNING:** Indicates that serious injury or even death may result from insufficient attention to or incorrect compliance with the related points.

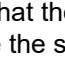
 **CAUTION:** Indicates that personal injury or mechanical damage may result from insufficient attention to or incorrect compliance with the related points.


Symbols


The  symbol indicates that the related section includes safety warnings. Specific points of attention are indicated inside the symbol.

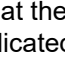
 ... [General warning]


 ... [Warning of high temperature]

The  symbol indicates that the related section includes information on prohibited actions. Specifics of the prohibited action are indicated inside the symbol.


 ... [Warning of prohibited action]

 ... [Disassembly prohibited]

The  symbol indicates that the related section includes information on actions which must be performed. Specifics of the required action are indicated inside the symbol.

 ... [Alert of required action]

 ... [Remove the power plug from the outlet]

 ... [Always connect the machine to an outlet with a ground connection]

Please contact your service representative to order a replacement if the safety warnings in this Operation Guide are illegible or if the guide itself is missing (fee required).

Environment

The service environmental conditions are as follows:

Temperature	50 to 90.5 °F (10 to 32.5 °C)
Humidity	10 to 80%

Avoid the following locations when selecting a site for the machine.

- Avoid locations near a window or with exposure to direct sunlight.
- Avoid locations with vibrations.
- Avoid locations with drastic temperature fluctuations.
- Avoid locations with direct exposure to hot or cold air.
- Avoid poorly ventilated locations.

If the floor is delicate against casters, when this machine is moved after installation, the floor material may be damaged.

During printing, some ozone is released, but the amount does not cause any ill effect to one's health. If, however, the machine is used over a long period of time in a poorly ventilated room or when making an extremely large number of prints, the smell may become unpleasant. To maintain the appropriate environment for print work, it is suggested that the room be properly ventilated.

Precautions for Use

Cautions when handling consumables

CAUTION

Do not attempt to incinerate parts which contain toner. Dangerous sparks may cause burns.

Keep parts which contain toner out of the reach of children.

If toner happens to spill from parts which contain toner, avoid inhalation and ingestion, as well as contact with your eyes and skin.

- If you do happen to inhale toner, move to a place with fresh air and gargle thoroughly with a large amount of water. If coughing develops, contact a physician.
- If you do happen to ingest toner, rinse your mouth with water and drink 1 or 2 cups of water to dilute the contents of your stomach. If necessary, contact a physician.
- If you do happen to get toner in your eyes, flush them thoroughly with water. If there is any remaining tenderness, contact a physician.
- If toner does happen to get on your skin, wash with soap and water.

Do not attempt to force open or destroy parts which contain toner.

Other precautions

Return the exhausted toner container and waste toner box to your dealer or service representative. The collected toner container and waste toner box will be recycled or disposed in accordance with the relevant regulations.

Store the machine while avoiding exposure to direct sunlight.

Store the machine in a place where the temperature stays below 40 °C while avoiding sharp changes of temperature and humidity.

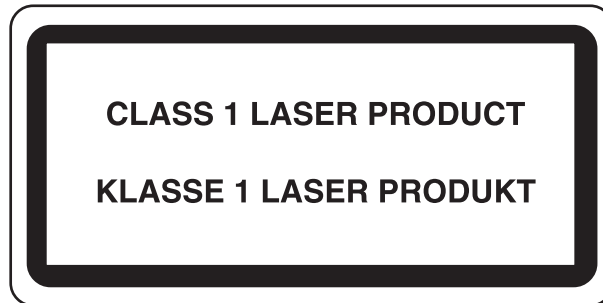
If the machine will not be used for an extended period of time, remove the paper from the cassette and the Multipurpose (MP) Tray, return it to its original package and reseal it.

Laser Safety (Europe)

Laser radiation could be hazardous to the human body. For this reason, laser radiation emitted inside this machine is hermetically sealed within the protective housing and external cover. In the normal operation of the product by user, no radiation can leak from the machine.

This machine is classified as Class 1 laser product under IEC/EN 60825-1:2014.

Regarding CLASS 1 laser products, information is provided on the rating label.



SAFETY OF LASER BEAM (USA)

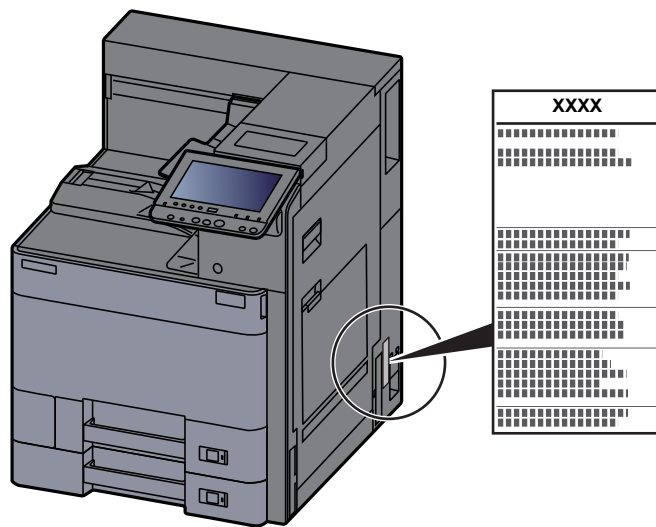
1. Safety of laser beam

This machine has been certified by the manufacturer to Class 1 level under the radiation performance standards established by the U.S.DHHS (Department of Health and Human Services) in 1968. This indicates that the product is safe to use during normal operation and maintenance. The laser optical system, enclosed in a protective housing and sealed within the external covers, never permits the laser beam to escape.

2. The CDRH Act

A laser-product-related act was implemented on Aug. 2, 1976, by the Center for Devices and Radiological Health (CDRH) of the U.S. Food and Drug Administration (FDA). This act prohibits the sale of laser products in the U.S. without certification, and applies to laser products manufactured after Aug. 1, 1976. The label shown below indicates compliance with the CDRH regulations and must be attached to laser products marketed in the United States.

The position of the rating label is show below.



3. Maintenance

For safety of the service personnel, follow the maintenance instructions in the other section of this manual.

4. Safety switch

The power to the laser unit is cut off when the front cover is opened.

Safety Instructions Regarding the Disconnection of Power

Caution: The power plug is the main isolation device! Other switches on the equipment are only functional switches and are not suitable for isolating the equipment from the power source.

Attention: Le débranchement de la fiche secteur est le seul moyen de mettre l'appareil hors tension. Les interrupteurs sur l'appareil ne sont que des interrupteurs de fonctionnement: ils ne mettent pas l'appareil hors tension.

Compliance and Conformity

Hereby, KYOCERA Document Solutions Inc. declares that the radio equipment type ECOSYS P4060dn is in compliance with Directive 2014/53/EU.

The full text of the EU declaration of conformity is available at the following internet address:

<https://www.kyoceradocumentsolutions.eu/index/service/dlc.html>

Module name, Option	Software Ver.	Frequency band in which the radio equipment operates:	Maximum radio-frequency power transmitted in the frequency band in which the radio equipment operates:
IB-51 (option)	2.2.6	2.4GHz	100mW
IB-35 (option)	2014.12	2.4GHz	100mW
Transmitter Module(SRD)	2005.11	13.56MHz	0.2nW

This equipment has been tested and found to comply with the limits for a Class B digital device, pursuant to Part 15 and Part 18 of the FCC Rules.

These limits are designed to provide reasonable protection against harmful interference in a residential installation. This equipment generates, uses and can radiate radio frequency energy and, if not installed and used in accordance with the instructions, may cause harmful interference to radio communications. However, there is no guarantee that interference will not occur in a particular installation. If this equipment does cause harmful interference to radio or television reception, which can be determined by turning the equipment off and on, the user is encouraged to try to correct the interference by one or more of the following measures:

- Reorient or relocate the receiving antenna.
- Increase the separation between the equipment and receiver.
- Connect the equipment into an outlet on a circuit different from that to which the receiver is connected.
- Consult the dealer or an experienced radio/TV technician for help.
- The use of a non-shielded interface cable with the referenced device is prohibited.

CAUTION — The changes or modifications not expressly approved by the party responsible for compliance could void the user's authority to operate the equipment.

This device complies with Part 15 of FCC Rules.

Operation is subject to the following two conditions; (1) this device may not cause harmful interference, and (2) this device must accept any interference received, including interference that may cause undesired operation.

This device complies with Industry Canada licence-exempt RSS standard(s). Operation is subject to the following two conditions: (1) this device may not cause interference, and (2) this device must accept any interference, including interference that may cause undesired operation of the device.

The antenna(s) used for this transmitter must be installed to provide a separation distance of at least 20 cm from all persons and must not be co-located or operating in conjunction with any other transmitter.

Industry Canada ICES-003 Compliance Label: CAN ICES-3B/NMB-3B

* The above statements are valid only in the United States of America and Canada.

NOTE — Use shielded interface cables.

Radio Tag Technology

In some countries the radio tag technology used in this equipment to identify the toner container may be subject to authorization and the use of this equipment may consequently be restricted.

Other precautions (for users in California, the United States)

Perchlorate Material - special handling may apply. See www.dtsc.ca.gov/hazardouswaste/perchlorate.

EN ISO 7779

Maschinenlärminformations-Verordnung 3. GPSGV, 06.01.2004: Der höchste Schalldruckpegel beträgt 70 dB (A) oder weniger gemäß EN ISO 7779.

EK1-ITB 2000

Das Gerät ist nicht für die Benutzung im unmittelbaren Gesichtsfeld am Bildschirmarbeitsplatz vorgesehen. Um störende Reflexionen am Bildschirmarbeitsplatz zu vermeiden, darf dieses Produkt nicht im unmittelbaren Gesichtsfeld platziert werden.

Wireless Connection (Mexico only)

The operation of this equipment is subject to the following two conditions:

(1) it is possible that this equipment or device may not cause harmful interference, and (2) this equipment or device must accept any interference, including interference that may cause undesired operation.

La operación de este equipo está sujeta a las siguientes dos condiciones:

(1) es posible que este equipo o dispositivo no cause interferencia perjudicial y (2) este equipo o dispositivo debe aceptar cualquier interferencia, incluyendo la que pueda causar su operación no deseada.

Security Precautions when Using Wireless LAN (If equipped)

Wireless LAN allows information to be exchanged between wireless access points instead of using a network cable, which offers the advantage that a WLAN connection can be established freely within an area in which radio waves can be transmitted.

On the other hand, the following problems may occur if security settings are not configured, because radio waves can pass through obstacles (including walls) and reach everywhere within a certain area.

Secretly Viewing Communication Contents

A third person with malicious objectives may intentionally monitor radio waves and gain unauthorized access to the following communication contents.

- Personal information including ID, passwords, and credit card numbers
- Contents of email messages

Illegal Intrusion

A third party with malicious intent may gain unauthorized access to personal or company networks and conduct the following illegal actions.

- Extracting personal and confidential information (information leak)

- Entering into communication while impersonating a specific person and distributing unauthorized information (spoofing)
- Modifying and retransmitting intercepted communications (falsification)
- Transmitting computer viruses and destroying data and systems (destruction)

Wireless LAN cards and wireless access points contain built-in security mechanisms to address these problems and to reduce the possibility of these problems occurring by configuring the security settings of wireless LAN products when the product is used.

We recommend that customers take responsibility and use their judgment when configuring the security settings and that they ensure that they fully understand the problems that can occur when the product is used without configuring the security settings.

Limited Use of This Product (If equipped)

- Radio waves transmitted from this product may affect medical equipment. When using this product in a medical institution or in the vicinity of medical instruments, either use this product according to the instructions and precautions provided by the administrator of the institution or those provided on the medical instruments.
- Radio waves transmitted from this product may affect automatic control equipment including automatic doors and fire alarms. When using this product in the vicinity of the automatic control equipment, use this product according to the instructions and precautions provided on the automatic control equipment.
- If this product is used in devices that are directly related to service including airplanes, trains, ships, and automobiles or this product is used in applications requiring high reliability and safety to function and in devices requiring accuracy including those used in disaster prevention and crime prevention and those used for various safety purposes, please use this product after considering the safety design of the entire system including adoption of a failsafe design and redundancy design for reliability and safety maintenance of the entire system. This product is not intended for use in applications requiring high reliability and safety including aerospace instruments, trunk communication equipment, nuclear power control equipment, and medical equipment; hence, the decision as to whether to use this product in these applications needs to be fully considered and determined.

Sólo México (Mexico only)

Este equipo utiliza el módulo de interfaz de red inalámbrica modelo LBWA1ZZ1CA para conectarse a las redes Inalámbricas.

Legal Information

Copying or other reproduction of all or part of this guide without the prior written consent of KYOCERA Document Solutions Inc. is prohibited.

Regarding Trade Names

- PRESCRIBE and ECOSYS are registered trademarks of Kyocera Corporation.
- KPDL is a trademark of Kyocera Corporation.
- Microsoft, Windows, Windows Server, Internet Explorer, Excel and PowerPoint are registered trademarks or trademarks of Microsoft Corporation in the U.S.A. and/or other countries.
- PCL is a trademark of Hewlett-Packard Company.
- Adobe Acrobat, Adobe Reader and PostScript are trademarks of Adobe Systems Incorporated.
- Ethernet is a registered trademark of Xerox Corporation.
- IBM and IBM PC/AT are trademarks of International Business Machines Corporation.
- AppleTalk, Bonjour, Macintosh, and Mac OS are trademarks of Apple Inc., registered in the U.S. and other countries.
- All European language fonts installed in this machine are used under licensing agreement with Monotype Imaging Inc.
- Helvetica, Palatino and Times are registered trademarks of Linotype GmbH.
- ITC Avant Garde Gothic, ITC Bookman, ITC ZapfChancery and ITC ZapfDingbats are registered trademarks of International Typeface Corporation.
- ThinPrint is a trademark of Cortado AG in Germany and other countries.
- UFST™ MicroType® fonts by Monotype Imaging Inc. are installed in this machine.
- This machine contains the software having modules developed by Independent JPEG Group.
- This product contains NetFront Browser of ACCESS CO., LTD.
- ACCESS, ACCESS logo and NetFront are trademarks or registered trademarks of ACCESS CO., LTD. in the United States, Japan and other countries.
- © 2011 ACCESS CO., LTD. All rights reserved.
- iPad, iPhone and iPod touch are trademarks of Apple Inc., registered in the U.S. and other countries.
- AirPrint and the AirPrint logo are trademarks of Apple Inc.
- iOS is a trademark or registered trademark of Cisco in the U.S. and other countries and is used under license by Apple Inc.
- Google and Google Cloud Print™ are trademarks and/or registered trademarks of Google LLC.
- Mopria™ is registered trademarks of Mopria™ Alliance.
- Wi-Fi and Wi-Fi Direct are trademarks and/or registered trademarks of Wi-Fi Alliance.

All other brands and product names are registered trademarks or trademarks of their respective companies. The designations ™ and ® will not be used in this Operation Guide.

GPL/LGPL

This product contains GPL (<http://www.gnu.org/licenses/gpl.html>) and/or LGPL (<http://www.gnu.org/licenses/lgpl.html>) software as part of its firmware. You can get the source code, and you are permitted to copy, redistribute and modify it under the terms of GPL/LGPL. For further information including availability of the source code, visit <https://www.kyoceradocumentsolutions.com/gpl/>.

OpenSSL License

Copyright (c) 1998-2006 The OpenSSL Project. All rights reserved.

Redistribution and use in source and binary forms, with or without modification, are permitted provided that the following conditions are met:

1. Redistributions of source code must retain the above copyright notice, this list of conditions and the following disclaimer.
2. Redistributions in binary form must reproduce the above copyright notice, this list of conditions and the following disclaimer in the documentation and/or other materials provided with the distribution.
3. All advertising materials mentioning features or use of this software must display the following acknowledgment: "This product includes software developed by the OpenSSL Project for use in the OpenSSL Toolkit. (<http://www.openssl.org/>)"
4. The names "OpenSSL Toolkit" and "OpenSSL Project" must not be used to endorse or promote products derived from this software without prior written permission. For written permission, please contact openssl-core@openssl.org.
5. Products derived from this software may not be called "OpenSSL" nor may "OpenSSL" appear in their names without prior written permission of the OpenSSL Project.
6. Redistributions of any form whatsoever must retain the following acknowledgment: "This product includes software developed by the OpenSSL Project for use in the OpenSSL Toolkit (<http://www.openssl.org/>)"

THIS SOFTWARE IS PROVIDED BY THE OpenSSL PROJECT "AS IS" AND ANY EXPRESSED OR IMPLIED WARRANTIES, INCLUDING, BUT NOT LIMITED TO, THE IMPLIED WARRANTIES OF MERCHANTABILITY AND FITNESS FOR A PARTICULAR PURPOSE ARE DISCLAIMED. IN NO EVENT SHALL THE OpenSSL PROJECT OR ITS CONTRIBUTORS BE LIABLE FOR ANY DIRECT, INDIRECT, INCIDENTAL, SPECIAL, EXEMPLARY, OR CONSEQUENTIAL DAMAGES (INCLUDING, BUT NOT LIMITED TO, PROCUREMENT OF SUBSTITUTE GOODS OR SERVICES; LOSS OF USE, DATA, OR PROFITS; OR BUSINESS INTERRUPTION) HOWEVER CAUSED AND ON ANY THEORY OF LIABILITY, WHETHER IN CONTRACT, STRICT LIABILITY, OR TORT (INCLUDING NEGLIGENCE OR OTHERWISE) ARISING IN ANY WAY OUT OF THE USE OF THIS SOFTWARE, EVEN IF ADVISED OF THE POSSIBILITY OF SUCH DAMAGE.

Original SSLeay License

Copyright (C) 1995-1998 Eric Young (ey@cryptsoft.com) All rights reserved.

This package is an SSL implementation written by Eric Young (ey@cryptsoft.com). The implementation was written so as to conform with Netscapes SSL.

This library is free for commercial and non-commercial use as long as the following conditions are adhered to. The following conditions apply to all code found in this distribution, be it the RC4, RSA, lhash, DES, etc., code; not just the SSL code. The SSL documentation included with this distribution is covered by the same copyright terms except that the holder is Tim Hudson (tjh@cryptsoft.com).

Copyright remains Eric Young's, and as such any Copyright notices in the code are not to be removed.

If this package is used in a product, Eric Young should be given attribution as the author of the parts of the library used.

This can be in the form of a textual message at program startup or in documentation (online or textual) provided with the package.

Redistribution and use in source and binary forms, with or without modification, are permitted provided that the following conditions are met:

1. Redistributions of source code must retain the copyright notice, this list of conditions and the following disclaimer.
2. Redistributions in binary form must reproduce the above copyright notice, this list of conditions and the following disclaimer in the documentation and/or other materials provided with the distribution.
3. All advertising materials mentioning features or use of this software must display the following acknowledgement:
"This product includes cryptographic software written by Eric Young (eay@cryptsoft.com)"
The word 'cryptographic' can be left out if the routines from the library being used are not cryptographic related :-).
4. If you include any Windows specific code (or a derivative thereof) from the apps directory (application code) you must include an acknowledgement: "This product includes software written by Tim Hudson (tjh@cryptsoft.com)"

THIS SOFTWARE IS PROVIDED BY ERIC YOUNG "AS IS" AND ANY EXPRESS OR IMPLIED WARRANTIES, INCLUDING, BUT NOT LIMITED TO, THE IMPLIED WARRANTIES OF MERCHANTABILITY AND FITNESS FOR A PARTICULAR PURPOSE ARE DISCLAIMED. IN NO EVENT SHALL THE AUTHOR OR CONTRIBUTORS BE LIABLE FOR ANY DIRECT, INDIRECT, INCIDENTAL, SPECIAL, EXEMPLARY, OR CONSEQUENTIAL DAMAGES (INCLUDING, BUT NOT LIMITED TO, PROCUREMENT OF SUBSTITUTE GOODS OR SERVICES; LOSS OF USE, DATA, OR PROFITS; OR BUSINESS INTERRUPTION) HOWEVER CAUSED AND ON ANY THEORY OF LIABILITY, WHETHER IN CONTRACT, STRICT LIABILITY, OR TORT (INCLUDING NEGLIGENCE OR OTHERWISE) ARISING IN ANY WAY OUT OF THE USE OF THIS SOFTWARE, EVEN IF ADVISED OF THE POSSIBILITY OF SUCH DAMAGE.

The licence and distribution terms for any publically available version or derivative of this code cannot be changed. i.e. this code cannot simply be copied and put under another distribution licence [including the GNU Public Licence.]

Monotype Imaging License Agreement

- 1 *Software* shall mean the digitally encoded, machine readable, scalable outline data as encoded in a special format as well as the UFST Software.
- 2 You agree to accept a non-exclusive license to use the Software to reproduce and display weights, styles and versions of letters, numerals, characters and symbols (*Typefaces*) solely for your own customary business or personal purposes at the address stated on the registration card you return to Monotype Imaging. Under the terms of this License Agreement, you have the right to use the Fonts on up to three printers. If you need to have access to the fonts on more than three printers, you need to acquire a multiuser license agreement which can be obtained from Monotype Imaging. Monotype Imaging retains all rights, title and interest to the Software and Typefaces and no rights are granted to you other than a License to use the Software on the terms expressly set forth in this Agreement.
- 3 To protect proprietary rights of Monotype Imaging, you agree to maintain the Software and other proprietary information concerning the Typefaces in strict confidence and to establish reasonable procedures regulating access to and use of the Software and Typefaces.
- 4 You agree not to duplicate or copy the Software or Typefaces, except that you may make one backup copy. You agree that any such copy shall contain the same proprietary notices as those appearing on the original.
- 5 This License shall continue until the last use of the Software and Typefaces, unless sooner terminated. This License may be terminated by Monotype Imaging if you fail to comply with the terms of this License and such failure is not remedied within thirty (30) days after notice from Monotype Imaging. When this License expires or is terminated, you shall either return to Monotype Imaging or destroy all copies of the Software and Typefaces and documentation as requested.
- 6 You agree that you will not modify, alter, disassemble, decrypt, reverse engineer or decompile the Software.
- 7 Monotype Imaging warrants that for ninety (90) days after delivery, the Software will perform in accordance with Monotype Imaging-published specifications, and the diskette will be free from defects in material and workmanship. Monotype Imaging does not warrant that the Software is free from all bugs, errors and omissions.

The parties agree that all other warranties, expressed or implied, including warranties of fitness for a particular purpose and merchantability, are excluded.
- 8 Your exclusive remedy and the sole liability of Monotype Imaging in connection with the Software and Typefaces is repair or replacement of defective parts, upon their return to Monotype Imaging.

In no event will Monotype Imaging be liable for lost profits, lost data, or any other incidental or consequential damages, or any damages caused by abuse or misapplication of the Software and Typefaces.
- 9 Massachusetts U.S.A. law governs this Agreement.

- 10 You shall not sublicense, sell, lease, or otherwise transfer the Software and/or Typefaces without the prior written consent of Monotype Imaging.
- 11 Use, duplication or disclosure by the Government is subject to restrictions as set forth in the Rights in Technical Data and Computer Software clause at FAR 252-227-7013, subdivision (b)(3)(ii) or subparagraph (c)(1)(ii), as appropriate. Further use, duplication or disclosure is subject to restrictions applicable to restricted rights software as set forth in FAR 52.227-19 (c)(2).
- 12 You acknowledge that you have read this Agreement, understand it, and agree to be bound by its terms and conditions. Neither party shall be bound by any statement or representation not contained in this Agreement. No change in this Agreement is effective unless written and signed by properly authorized representatives of each party. By opening this diskette package, you agree to accept the terms and conditions of this Agreement.

Knopflerfish License

This product includes software developed by the Knopflerfish Project.

<http://www.knopflerfish.org>

Copyright 2003-2010 The Knopflerfish Project. All rights reserved.

Redistribution and use in source and binary forms, with or without modification, are permitted provided that the following conditions are met:

- Redistributions of source code must retain the above copyright notice, this list of conditions and the following disclaimer.
- Redistributions in binary form must reproduce the above copyright notice, this list of conditions and the following disclaimer in the documentation and/or other materials provided with the distribution.
- Neither the name of the KNOPFLERFISH project nor the names of its contributors may be used to endorse or promote products derived from this software without specific prior written permission.

THIS SOFTWARE IS PROVIDED BY THE COPYRIGHT HOLDERS AND CONTRIBUTORS "AS IS" AND ANY EXPRESS OR IMPLIED WARRANTIES, INCLUDING, BUT NOT LIMITED TO, THE IMPLIED WARRANTIES OF MERCHANTABILITY AND FITNESS FOR A PARTICULAR PURPOSE ARE DISCLAIMED. IN NO EVENT SHALL THE COPYRIGHT OWNER OR CONTRIBUTORS BE LIABLE FOR ANY DIRECT, INDIRECT, INCIDENTAL, SPECIAL, EXEMPLARY, OR CONSEQUENTIAL DAMAGES (INCLUDING, BUT NOT LIMITED TO, PROCUREMENT OF SUBSTITUTE GOODS OR SERVICES; LOSS OF USE, DATA, OR PROFITS; OR BUSINESS INTERRUPTION) HOWEVER CAUSED AND ON ANY THEORY OF LIABILITY, WHETHER IN CONTRACT, STRICT LIABILITY, OR TORT (INCLUDING NEGLIGENCE OR OTHERWISE) ARISING IN ANY WAY OUT OF THE USE OF THIS SOFTWARE, EVEN IF ADVISED OF THE POSSIBILITY OF SUCH DAMAGE.

Apache License (Version 2.0)

Apache License
Version 2.0, January 2004
<http://www.apache.org/licenses/>

TERMS AND CONDITIONS FOR USE, REPRODUCTION, AND DISTRIBUTION

1. Definitions.

"License" shall mean the terms and conditions for use, reproduction, and distribution as defined by Sections 1 through 9 of this document.

"Licensor" shall mean the copyright owner or entity authorized by the copyright owner that is granting the License.

"Legal Entity" shall mean the union of the acting entity and all other entities that control, are controlled by, or are under common control with that entity. For the purposes of this definition, "control" means (i) the power, direct or indirect, to cause the direction or management of such entity, whether by contract or otherwise, or (ii) ownership of fifty percent (50%) or more of the outstanding shares, or (iii) beneficial ownership of such entity.

"You" (or "Your") shall mean an individual or Legal Entity exercising permissions granted by this License.

"Source" form shall mean the preferred form for making modifications, including but not limited to software source code, documentation source, and configuration files.

"Object" form shall mean any form resulting from mechanical transformation or translation of a Source form, including but not limited to compiled object code, generated documentation, and conversions to other media types.

"Work" shall mean the work of authorship, whether in Source or Object form, made available under the License, as indicated by a copyright notice that is included in or attached to the work (an example is provided in the Appendix below).

"Derivative Works" shall mean any work, whether in Source or Object form, that is based on (or derived from) the Work and for which the editorial revisions, annotations, elaborations, or other modifications represent, as a whole, an original work of authorship. For the purposes of this License, Derivative Works shall not include works that remain separable from, or merely link (or bind by name) to the interfaces of, the Work and Derivative Works thereof.

"Contribution" shall mean any work of authorship, including the original version of the Work and any modifications or additions to that Work or Derivative Works thereof, that is intentionally submitted to Licensor for inclusion in the Work by the copyright owner or by an individual or Legal Entity authorized to submit on behalf of the copyright owner. For the purposes of this definition, "submitted" means any form of electronic, verbal, or written communication sent to the Licensor or its representatives, including but not limited to communication on electronic mailing lists, source code control systems, and issue tracking systems that are managed by, or on behalf of, the Licensor for the purpose of discussing and improving the Work, but excluding communication that is conspicuously marked or otherwise designated in writing by the copyright owner as "Not a Contribution."

"Contributor" shall mean Licensor and any individual or Legal Entity on behalf of whom a Contribution has been received by Licensor and subsequently incorporated within the Work.

2. Grant of Copyright License. Subject to the terms and conditions of this License, each Contributor hereby grants to You a perpetual, worldwide, non-exclusive, no-charge, royalty-free, irrevocable copyright license to reproduce, prepare Derivative Works of, publicly display, publicly perform, sublicense, and distribute the Work and such Derivative Works in Source or Object form.
3. Grant of Patent License. Subject to the terms and conditions of this License, each Contributor hereby grants to You a perpetual, worldwide, non-exclusive, no-charge, royalty-free, irrevocable (except as stated in this section) patent license to make, have made, use, offer to sell, sell, import, and otherwise transfer the Work, where such license applies only to those patent claims licensable by such Contributor that are necessarily infringed by their Contribution(s) alone or by combination of their Contribution(s) with the Work to which such Contribution(s) was submitted. If You institute patent litigation against any entity (including a cross-claim or counterclaim in a lawsuit) alleging that the Work or a Contribution incorporated within the Work constitutes direct or contributory patent infringement, then any patent licenses granted to You under this License for that Work shall terminate as of the date such litigation is filed.
4. Redistribution. You may reproduce and distribute copies of the Work or Derivative Works thereof in any medium, with or without modifications, and in Source or Object form, provided that You meet the following conditions:
 - (a) You must give any other recipients of the Work or Derivative Works a copy of this License; and
 - (b) You must cause any modified files to carry prominent notices stating that You changed the files; and
 - (c) You must retain, in the Source form of any Derivative Works that You distribute, all copyright, patent, trademark, and attribution notices from the Source form of the Work, excluding those notices that do not pertain to any part of the Derivative Works; and
 - (d) If the Work includes a "NOTICE" text file as part of its distribution, then any Derivative Works that You distribute must include a readable copy of the attribution notices contained within such NOTICE file, excluding those notices that do not pertain to any part of the Derivative Works, in at least one of the following places: within a NOTICE text file distributed as part of the Derivative Works; within the Source form or documentation, if provided along with the Derivative Works; or, within a display generated by the Derivative Works, if and wherever such third-party notices normally appear. The contents of the NOTICE file are for informational purposes only and do not modify the License. You may add Your own attribution notices within Derivative Works that You distribute, alongside or as an addendum to the NOTICE text from the Work, provided that such additional attribution notices cannot be construed as modifying the License.

You may add Your own copyright statement to Your modifications and may provide additional or different license terms and conditions for use, reproduction, or distribution of Your modifications, or for any such Derivative Works as a whole, provided Your use, reproduction, and distribution of the Work otherwise complies with the conditions stated in this License.

5. **Submission of Contributions.** Unless You explicitly state otherwise, any Contribution intentionally submitted for inclusion in the Work by You to the Licensor shall be under the terms and conditions of this License, without any additional terms or conditions. Notwithstanding the above, nothing herein shall supersede or modify the terms of any separate license agreement you may have executed with Licensor regarding such Contributions.
6. **Trademarks.** This License does not grant permission to use the trade names, trademarks, service marks, or product names of the Licensor, except as required for reasonable and customary use in describing the origin of the Work and reproducing the content of the NOTICE file.
7. **Disclaimer of Warranty.** Unless required by applicable law or agreed to in writing, Licensor provides the Work (and each Contributor provides its Contributions) on an "AS IS" BASIS, WITHOUT WARRANTIES OR CONDITIONS OF ANY KIND, either express or implied, including, without limitation, any warranties or conditions of TITLE, NON-INFRINGEMENT, MERCHANTABILITY, or FITNESS FOR A PARTICULAR PURPOSE. You are solely responsible for determining the appropriateness of using or redistributing the Work and assume any risks associated with Your exercise of permissions under this License.
8. **Limitation of Liability.** In no event and under no legal theory, whether in tort (including negligence), contract, or otherwise, unless required by applicable law (such as deliberate and grossly negligent acts) or agreed to in writing, shall any Contributor be liable to You for damages, including any direct, indirect, special, incidental, or consequential damages of any character arising as a result of this License or out of the use or inability to use the Work (including but not limited to damages for loss of goodwill, work stoppage, computer failure or malfunction, or any and all other commercial damages or losses), even if such Contributor has been advised of the possibility of such damages.
9. **Accepting Warranty or Additional Liability.** While redistributing the Work or Derivative Works thereof, You may choose to offer, and charge a fee for, acceptance of support, warranty, indemnity, or other liability obligations and/or rights consistent with this License. However, in accepting such obligations, You may act only on Your own behalf and on Your sole responsibility, not on behalf of any other Contributor, and only if You agree to indemnify, defend, and hold each Contributor harmless for any liability incurred by, or claims asserted against, such Contributor by reason of your accepting any such warranty or additional liability.

END OF TERMS AND CONDITIONS

APPENDIX: How to apply the Apache License to your work.

To apply the Apache License to your work, attach the following boilerplate notice, with the fields enclosed by brackets "[]" replaced with your own identifying information. (Don't include the brackets!) The text should be enclosed in the appropriate comment syntax for the file format. We also recommend that a file or class name and description of purpose be included on the same "printed page" as the copyright notice for easier identification within third-party archives.

Copyright [yyyy] [name of copyright owner]

Licensed under the Apache License, Version 2.0 (the "License"); you may not use this file except in compliance with the License. You may obtain a copy of the License at

<http://www.apache.org/licenses/LICENSE-2.0>

Unless required by applicable law or agreed to in writing, software distributed under the License is distributed on an "AS IS" BASIS, WITHOUT WARRANTIES OR CONDITIONS OF ANY KIND, either express or implied. See the License for the specific language governing permissions and limitations under the License.

Energy Saving Control Function

The device comes equipped with a Low Power Mode where energy consumption is reduced after a certain amount of time elapses since the device was last used, as well as a Sleep where printer function remains in a waiting state but power consumption is still reduced to a minimum when there is no activity with the device within a set amount of time.

- ➔ [Low Power Mode \(page 2-34\)](#)
- ➔ [Sleep \(page 2-34\)](#)
- ➔ [Power Off Timer \(models for Europe\) \(page 2-36\)](#)

Automatic 2-Sided Print Function

This device includes 2-sided printing as a standard function. For example, by printing two 1-sided originals onto a single sheet of paper as a 2-sided print, it is possible to lower the amount of paper used.

- ➔ [Duplex \(page 6-18\)](#)

Printing in duplex mode reduces paper consumption and contributes to the conservation of forest resources. Duplex mode also reduces the amount of paper that must be purchased, and thereby reduces cost. It is recommended that machines capable of duplex printing be set to use duplex mode by default.

Resource Saving - Paper

For the preservation and sustainable use of forest resources, it is recommended that recycled as well as virgin paper certified under environmental stewardship initiatives or carrying recognised ecolabels, which meet EN 12281:2002* or an equivalent quality standard, be used.

This machine also supports printing on 64 g/m² paper. Using such paper containing less raw materials can lead to further saving of forest resources.

* : EN12281:2002 "Printing and business paper - Requirements for copy paper for dry toner imaging processes"

Your sales or service representative can provide information about recommended paper types.

Environmental benefits of "Power Management"

To reduce power consumption when idle, this machine is equipped with a power management function that automatically activates energy-saving mode when the machine is idle for a certain period of time.

Although it takes the machine a slight amount of time to return to READY mode when in energy-saving mode, a significant reduction in energy consumption is possible. It is recommended that the machine be used with the activation time for energy-saving mode set to the default setting.

Energy Star (ENERGY STAR®) Program

We participate in the ENERGY STAR® Program.

We provide the products complied with ENERGY STAR® to the market.

ENERGY STAR® is an energy efficiency program with the goal of developing and promoting the use of products with high energy efficiency in order to help prevent global warming. By purchasing the products

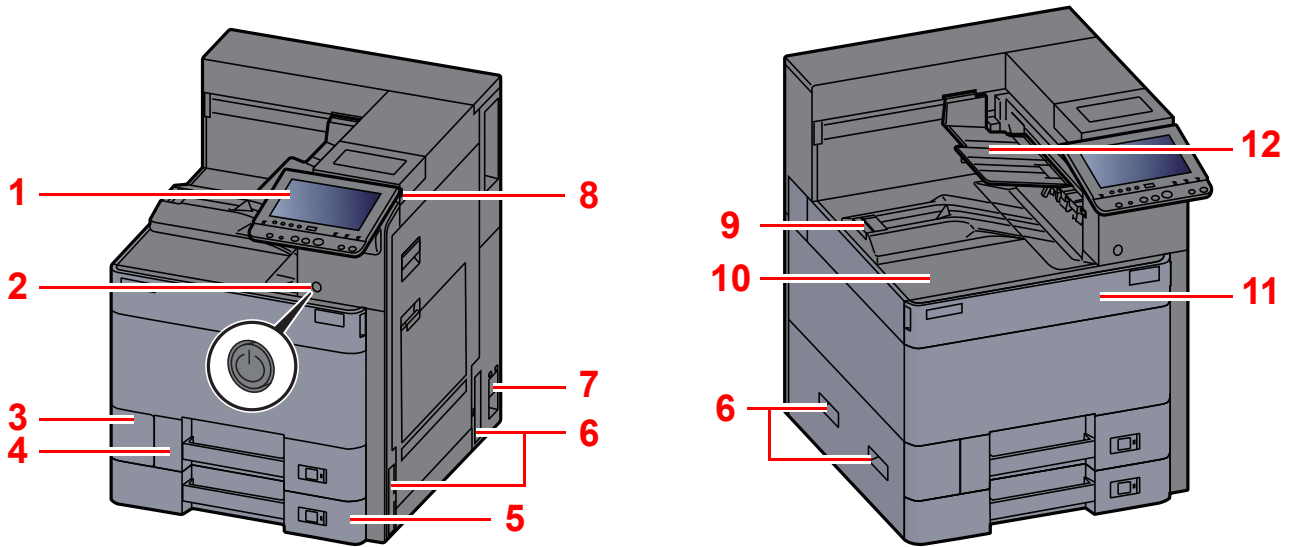
complied with ENERGY STAR®, customers can help reduce emissions of greenhouse gases during product use and cut energy-related costs.

2 Installing and Setting up the Machine

This chapter provides information for the administrator of this machine, such as part names, cable connection, and software installation.

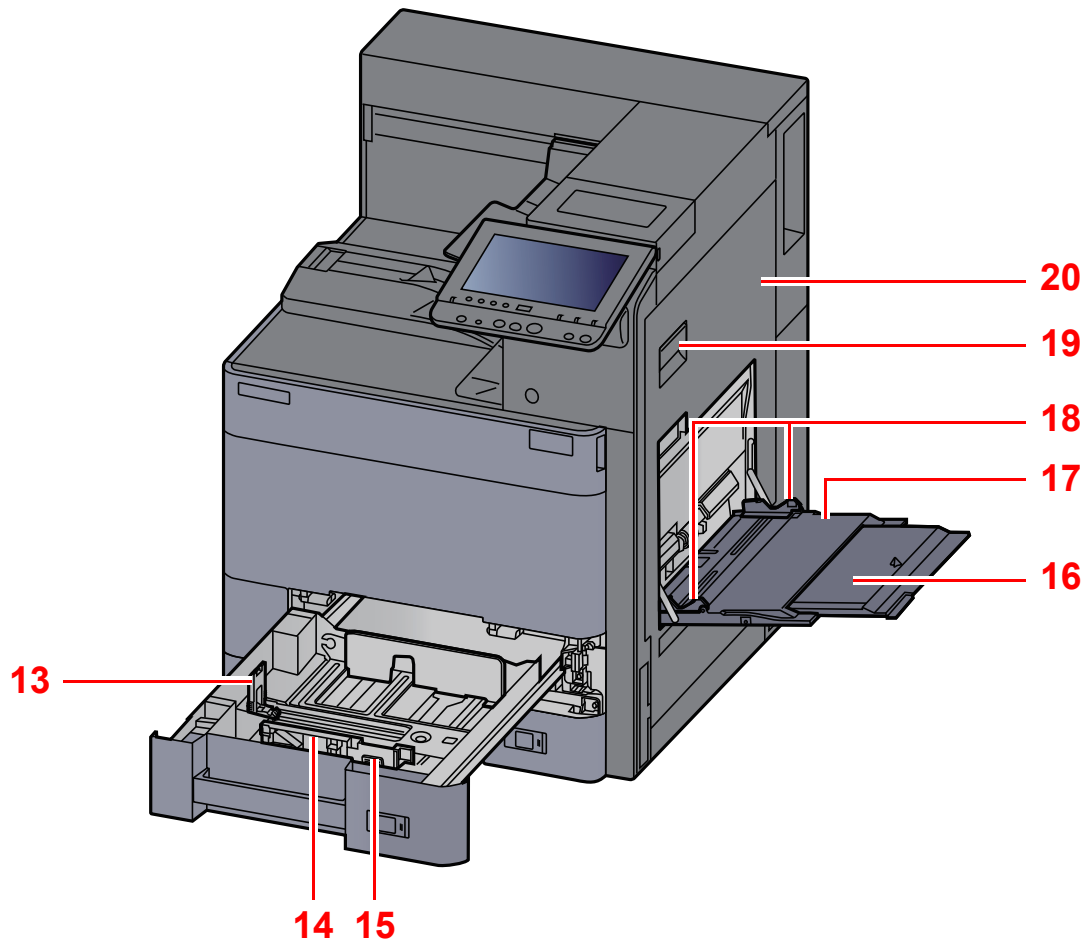
Part Names (Machine Exterior)	2-2	Sleep Rules (models for Europe)	2-35
Part Names (Connectors/Interior)	2-4	Sleep Level (Energy Saver) (models except for Europe)	2-35
Part Names (With Optional Equipments Attached)	2-5	Energy Saver Recovery Level	2-35
Connecting the Machine and Other Devices	2-6	Weekly Timer Settings	2-35
Connecting Cables	2-7	Power Off Timer (models for Europe)	2-36
Connecting LAN Cable	2-7	Quick Setup Wizard	2-37
Connecting USB Cable	2-8	Installing Software	2-39
Connecting the Power Cable	2-8	Software on DVD (Windows)	2-39
Power On/Off	2-9	Installing Software in Windows	2-40
Power On	2-9	Uninstalling the Software	2-45
Power Off	2-9	Installing Software in Mac Computer	2-46
Using the Operation Panel	2-10	Checking the Counter	2-48
Operation Panel Keys	2-10	Additional Preparations for the Administrator	2-49
Adjusting the Operation Panel Angle	2-11	Strengthening the Security	2-49
Assigning Functions to Function Keys	2-12	Command Center RX	2-51
Touch Panel	2-13	Accessing Command Center RX	2-52
Home Screen	2-13	Changing Security Settings	2-53
Display for Device Information	2-16	Changing Device Information	2-54
Display Setting Screen	2-16	E-mail Settings	2-55
Functions Key	2-17	Creating a New Custom Box	2-59
Using the Screen	2-17	Printing a Document Stored in a Custom Box	2-60
Display of Keys That Cannot Be Set	2-18		
Entering Numbers	2-19		
Using the Enter Key	2-20		
Using the Quick No. Search Key	2-20		
Help Screen	2-21		
Login/Logout	2-22		
Login	2-22		
Logout	2-23		
Default Settings of the Machine	2-24		
Setting Date and Time	2-24		
Network Setup	2-25		
Configuring the Wired Network	2-25		
Configuring the Wireless Network	2-27		
Setting Wi-Fi Direct	2-31		
Configuring NFC	2-33		
Energy Saver Function	2-34		
Low Power Mode	2-34		
Sleep	2-34		
Auto Sleep	2-35		

Part Names (Machine Exterior)



- 1 Operation Panel
- 2 Power Switch
- 3 Waste Toner Box Cover
- 4 Cassette 1
- 5 Cassette 2
- 6 Handles

- 7 Main Power Switch
- 8 USB Memory Slot
- 9 Paper Stopper
- 10 Main Tray
- 11 Front Cover
- 12 First Printed Side Support



13 Paper Length Guide

14 Paper Width Guide

15 Paper Width Adjusting Tab

16 Support Tray Section of the Multipurpose Tray

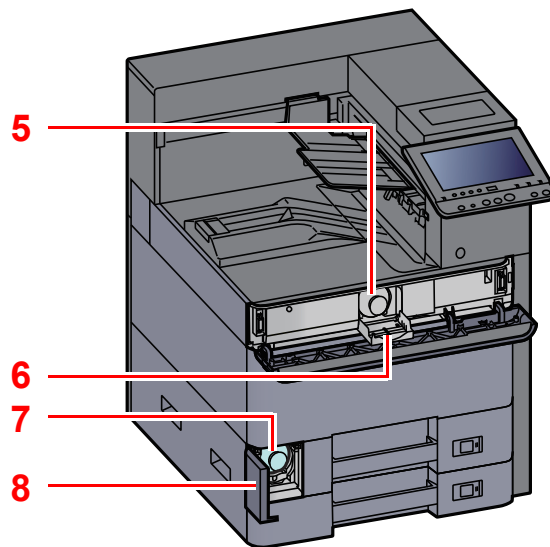
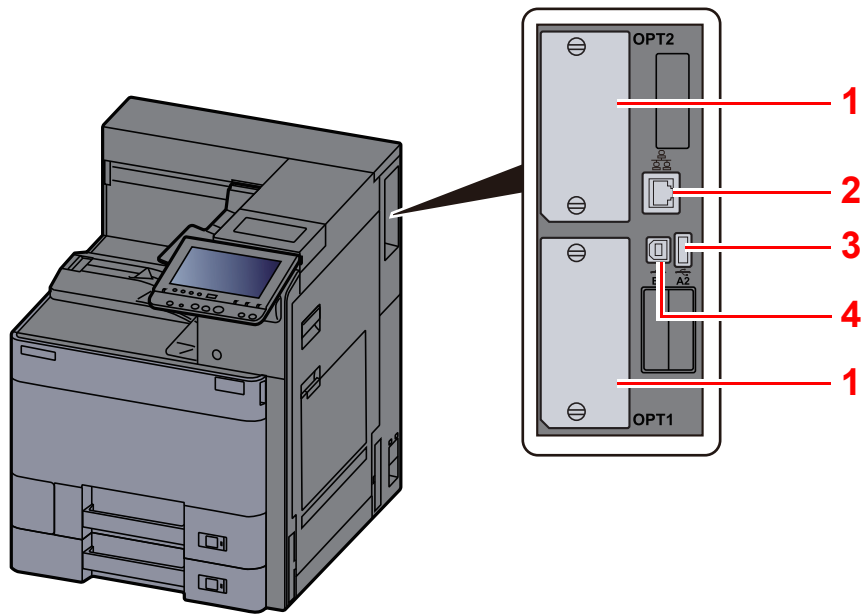
17 Multipurpose Tray

18 Paper Width Guide

19 Right Cover 1 Lever

20 Right Cover 1

Part Names (Connectors/Interior)



1 Option Interface Slot

2 Network Interface Connector

3 USB Port

4 USB Interface Connector

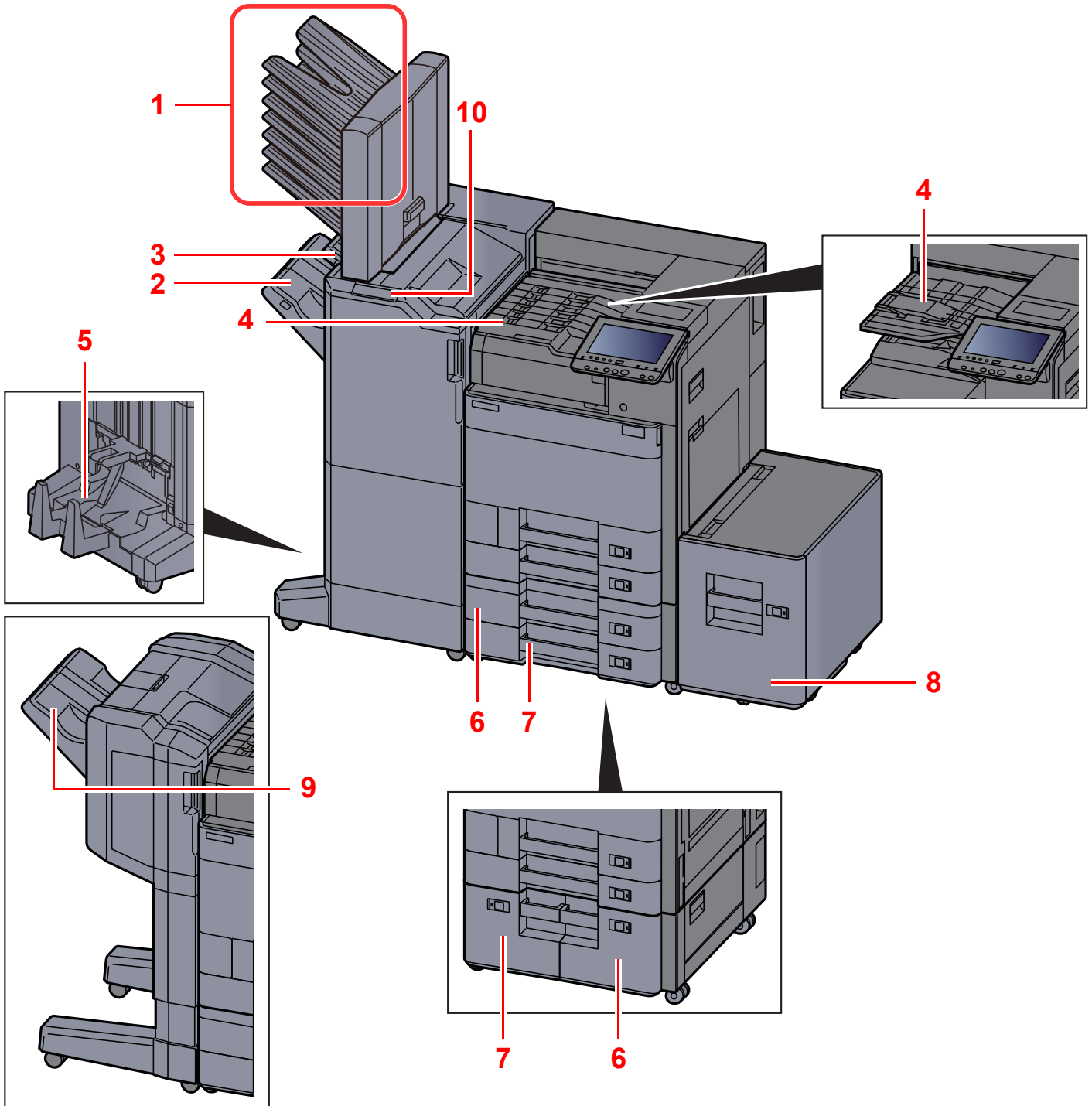
5 Toner Container

6 Toner Container Cover

7 Waste Toner Box

8 Waste Toner Box Cover

Part Names (With Optional Equipments Attached)



- 1 Tray 1 to 7 (tray 1 is the top tray)
- 2 Tray A
- 3 Tray B
- 4 Job Separator Tray
- 5 Folding Tray

➔ [Optional Equipment \(page 11-2\)](#)

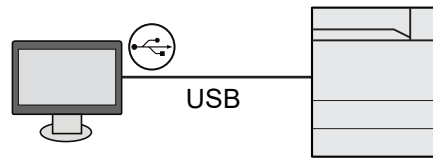
- 6 Cassette 3
- 7 Cassette 4
- 8 Cassette 5
- 9 Finisher Tray
- 10 Control Section of the Finisher

➔ [Manual Staple \(page 5-30\)](#)

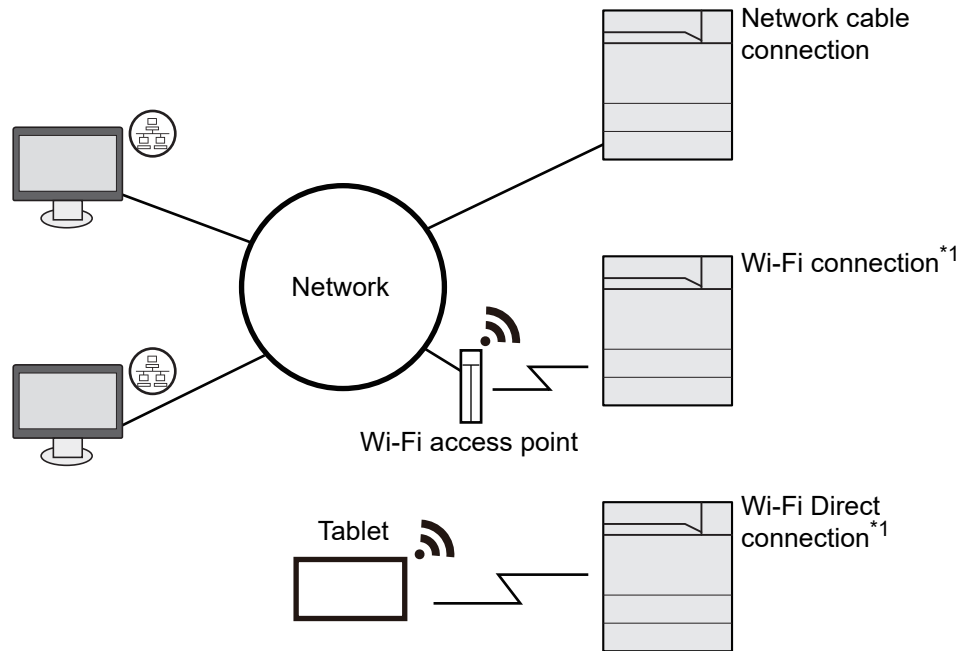
Connecting the Machine and Other Devices

Prepare the cables necessary to suit the environment and purpose of the machine use.

When Connecting the Machine to the PC via USB



When Connecting the Machine to the PC on the Network



*1 Only for models with Wi-Fi.

NOTE

If you are using wireless LAN, refer to the following.

➔ [Configuring the Wireless Network \(page 2-27\)](#)

Cables that Can Be Used

Connection Environment	Function	Necessary Cable
Connect a LAN cable to the machine.	Printer	LAN cable (10BASE-T, 100BASE-TX, 1000BASE-T)
Connect a USB cable to the machine.	Printer	USB2.0 compatible cable (Hi-Speed USB compliant, Max. 5.0 m)

IMPORTANT

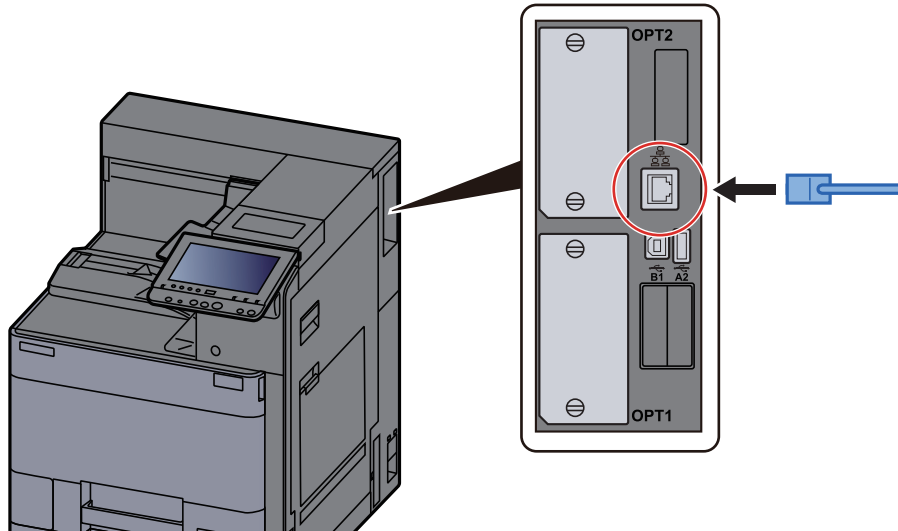
Using a cable other than a USB 2.0 compatible cable may cause failure.

Connecting Cables

Connecting LAN Cable

1 Connect the cable to the machine.

- 1 Connect the LAN cable to the network interface connector.



- 2 Connect the other end of the cable to the hub.

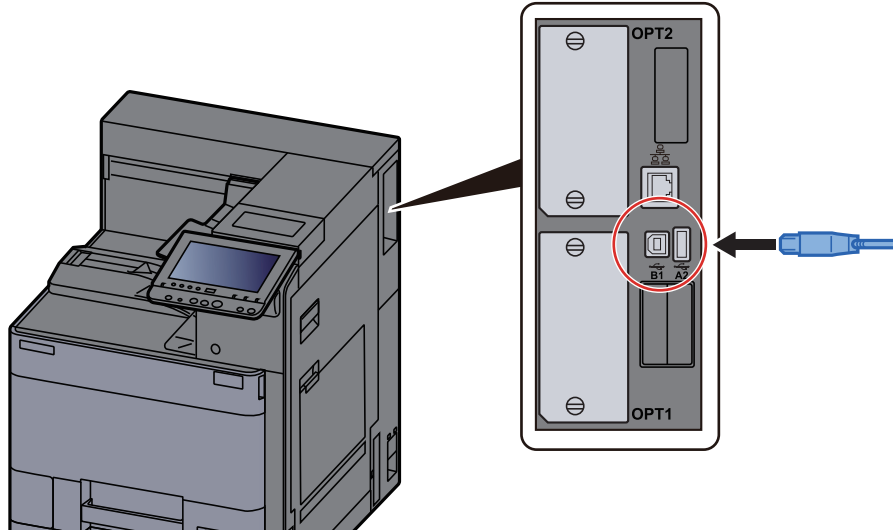
2 Power on the machine and configure the network.

- ➔ [Network Setup \(page 2-25\)](#)

Connecting USB Cable

1 Connect the cable to the machine.

- 1 Connect the USB cable to the USB interface connector located on the right side of the body.



- 2 Connect the other end of the cable to the PC.

2 Power on the machine.

Connecting the Power Cable

1 Connect the cable to the machine.

Connect one end of the supplied power cable to the machine and the other end to a power outlet.

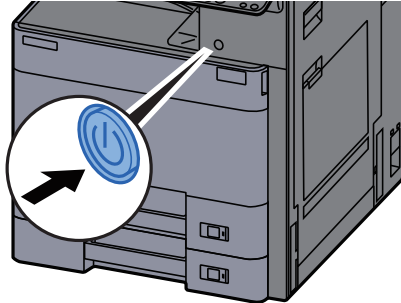
 **IMPORTANT**

Only use the power cable that comes with the machine.

Power On/Off

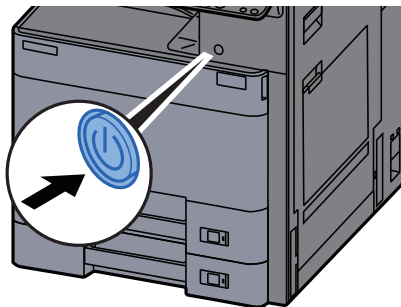
Power On

- 1 Turn the power switch on.



Power Off

- 1 Turn the power switch off.



The confirmation message for power supply off is displayed.

➔ [Show Power Off Message \(page 8-4\)](#)

It takes about 3 minutes for power off.



CAUTION

If this machine will be left unused for an extended period (e.g. overnight), turn it off at the power switch. If the machine will not be used for an even longer period of time (e.g. vacation), remove the power plug from the outlet as a safety precaution.

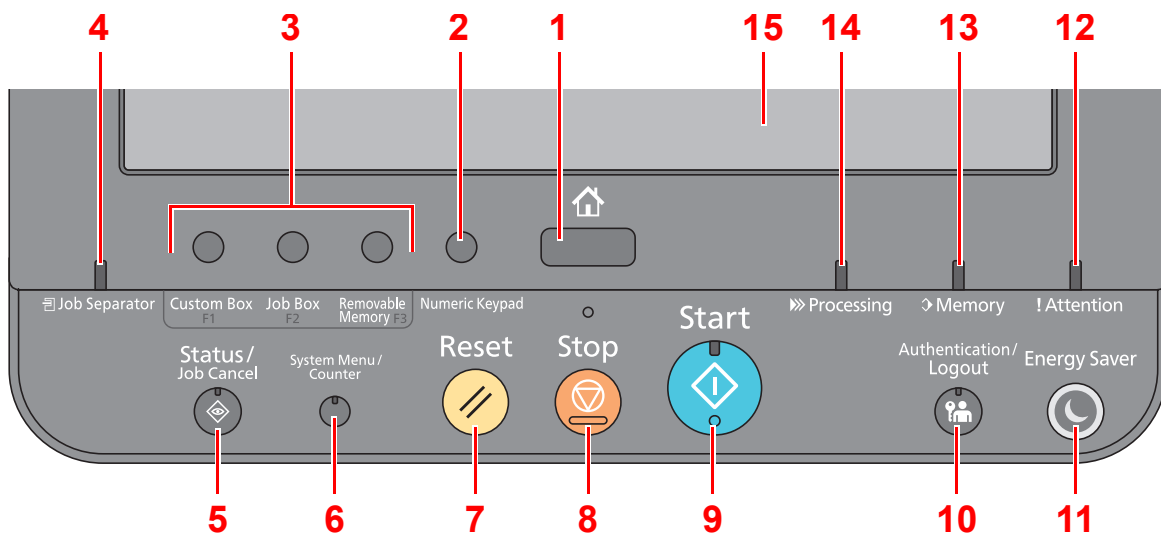


IMPORTANT

Remove paper from the cassettes and seal it in the paper storage bag to protect it from humidity.

Using the Operation Panel

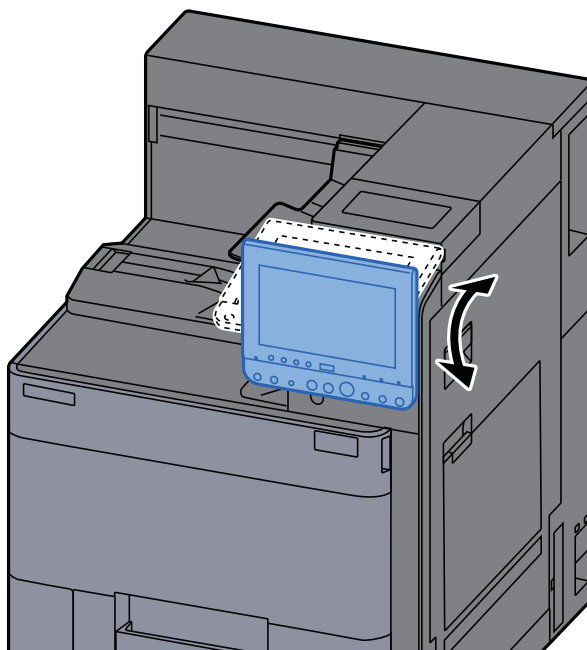
Operation Panel Keys



- 1 **[Home]** key: Displays the Home screen.
- 2 **[Numeric Keypad]** key: Displays numeric keys on the touch panel.
- 3 **Function Key**: These keys enable various functions and applications, including document box, to be registered.
 ➔ [Assigning Functions to Function Keys \(page 2-12\)](#)
- 4 **[Job Separator]** indicator: Lights when there is paper in the job separator tray.
- 5 **[Status/Job Cancel]** key: Displays the Status/Job Cancel screen.
- 6 **[System Menu/Counter]** key: Displays the System Menu screen.
- 7 **[Reset]** key: Returns settings to their default states.
- 8 **[Stop]** key: Cancels or pauses the job in progress.
- 9 **[Start]** key: Starts printing operations and processing for setting operations.
- 10 **[Authentication/Logout]** key: Authenticates user switching, and exits the operation for the current user (i.e. log out).
- 11 **[Energy Saver]** key: Puts the machine into Sleep Mode. Recovers from Sleep if in Sleep Mode.
- 12 **[Attention]** indicator: Lights or blinks when an error occurs and a job is stopped.
- 13 **[Memory]** indicator: Blinks while the machine is accessing the hard disk or USB memory (general purpose item).
- 14 **[Processing]** indicator: Blinks while printing or receiving print data.
- 15 **Touch Panel**: Displays icons for configuring machine settings.

Adjusting the Operation Panel Angle

The angle of the operation panel can be adjusted.



Assigning Functions to Function Keys

Function keys are keys to which various functions and applications, including document box, can be assigned. Frequently used functions and applications can be assigned and the screen can easily be displayed.

For this machine, the following functions are pre-assigned; however, alternative functions can be registered by re-assigning these functions.

- **[F1]** (Function key 1): Custom Box
- **[F2]** (Function key 2): Job Box
- **[F3]** (Function key 3): Removable Memory

1 Display the screen.

[System Menu/Counter] key > [Common Settings] > [Function Key Assignment]



NOTE

If user login administration is enabled, you can only change the settings by logging in with administrator privileges. The factory default login user name and login password are set as shown below.

Login User Name: 6000

Login Password: 6000

2 Configure the settings.

- 1 Select **[Change]** to enable the function key to be set.
- 2 Select the function to be assigned.

Function	Description	Reference page
None	No function has been assigned.	—
Custom Box	Displays the Custom Box screen.	page 5-21
Job Box	Displays the Job Box screen.	page 4-18
Removable Memory	Displays the Removable Memory screen.	page 5-26
Internet Browser^{*1}	Displays the Internet Browser screen.	page 5-28
Program^{*1}	Calls up the registered program. The icon will change according to the function of the program.	page 5-6
Application Name^{*1}	Displays the selected applications.	page 5-9

*1 This function is displayed by configuring or registering from Operation Panel.

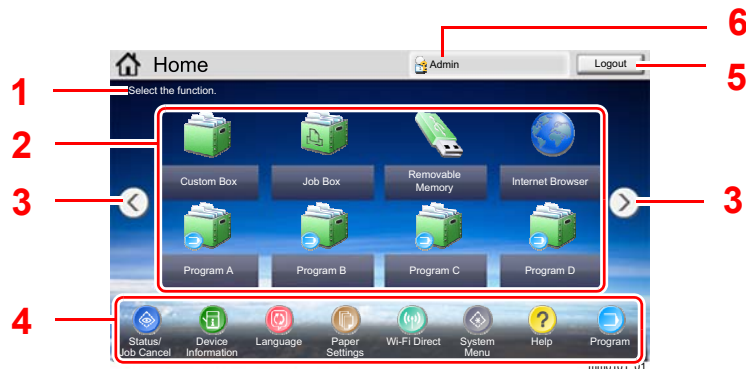
Touch Panel

Home Screen



This screen is displayed by selecting the **[Home]** key on the operation panel. Touching an icon will display the corresponding screen.

You can change the icons to display on the Home screen as well as its background.

➔ [Editing the Home Screen \(page 2-14\)](#)



* The appearance may differ from your actual screen, depending on your configuration and option settings.

No.	Item	Description
1	Message	Displays the message depending on the status.
2	Desktop	Displays function icons including the functions registered in program. Icons that are not displayed on the first page will appear by changing the page.
3	Screen-switching keys	Use these buttons to switch between desktop pages.  NOTE You can also switch views by touching the screen and moving the finger sideways (i.e. swiping). 
4	Taskbar	Displays task icons.
5	[Logout]	Logs out the current user. This is displayed when user login administration is enabled.
6	Login User Name	Displays the logged-in user name. This is displayed when user login administration is enabled. Selecting "Login User Name" will display the information of the logged-in user.

Editing the Home Screen

You can change the background of the Home screen as well as which icons are displayed.

1 Display the screen.

- 1 [System Menu/Counter] key > [Home]

NOTE

If user login administration is enabled, you can only change the settings by logging in with administrator privileges. The factory default login user name and login password are set as shown below.

Login User Name: 6000
Login Password: 6000

2 Configure the settings.





The available settings are shown below.



Item	Description
Customize Desktop	Specify the function icons to display on the desktop.* ¹ Select [Add] to display the screen for selecting the function to display. Select the function to display and [OK]. Select an icon and [Previous] or [After] to change the display position of the selected icon on the Desktop. To delete an icon from desktop, select the desired one and select [Delete].
Customize Taskbar	Specify the task icons to display on the taskbar.* ²
Wallpaper	Configure the wallpaper of the Home screen. Value: Images 1 to 8

*¹ Displays a maximum of 59 function icons including the installed applications and the functions that can be used when options are installed.

*² 8 task icons can be displayed.

Available Functions to Display on Desktop

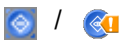










Function	Icon	Description	Reference page
Custom Box * ¹		Displays the Custom Box screen.	page 5-21
Job Box * ¹		Displays the Job Box screen.	page 4-18
Removable Memory * ¹		Displays the Removable Memory screen.	page 5-26
Internet Browser		Displays the Internet Browser screen.	page 5-28

Function	Icon	Description	Reference page
Program		Calls up the registered program. The icon will change according to the function of the program.	page 5-6
Application Name ^{*2}		Displays the selected applications.	page 5-9

*1 Selected at the time of shipment from factory.

*2 The icon of the application appears.

Available Functions to Display on Taskbar

Function	Icon	Description	Reference page
Status/Job Cancel ^{*1}		Displays the Status screen. If an error occurs, the icon will show "!". Once the error clears, the display will return to normal.	—
Device Information ^{*1}		Displays the Device Information screen. Check the system and network information. You can also check information on the options that are used.	page 2-16
Language ^{*1}		Displays the Language setting screen in System Menu.	page 8-9
Paper Setting ^{*1}		Displays the Paper setting screen in System Menu.	page 8-6
Wi-Fi Direct		Wi-Fi Direct is set and a list of information relating to the machine that can use the network appears.	page 8-30
System Menu ^{*1}		Displays the System Menu screen.	page 8-2
Help ^{*1}		Displays the Help screen.	page 2-21
Program ^{*1}		Displays the program list screen.	page 5-6
Message Board		Displays the Message Board screen.  NOTE To use this function, set "Message Board" to [ON] in System Menu.  Command Center RX User Guide	page 8-21

*1 Selected at the time of shipment from factory.

Display for Device Information

Shows device information. Allows you to check system and network information, as well as options that are used.

- 1 [Home] key > [Device Information]
- 2 Check the device information.

Tab	Description
Identification/Wired Network	You can check ID information such as the model name, serial number, host name and location, and the IP address of the wired network.
Wi-Fi*1	You can check ID information such as the model name, serial number, host name and location, and the IP address of the wireless network.
Software Ver./Capability	You can check the software version and performance.
Option	You can check information on the options that are used.

*1 Displayed only when the Wireless Network Interface Kit is installed.
The Wireless Network Interface Kit is an option for some models. Contact your dealer or our sales or service representatives for detail.

➔ [IB-35 "Wireless Network Interface Kit" \(page 11-5\)](#)

Display Setting Screen

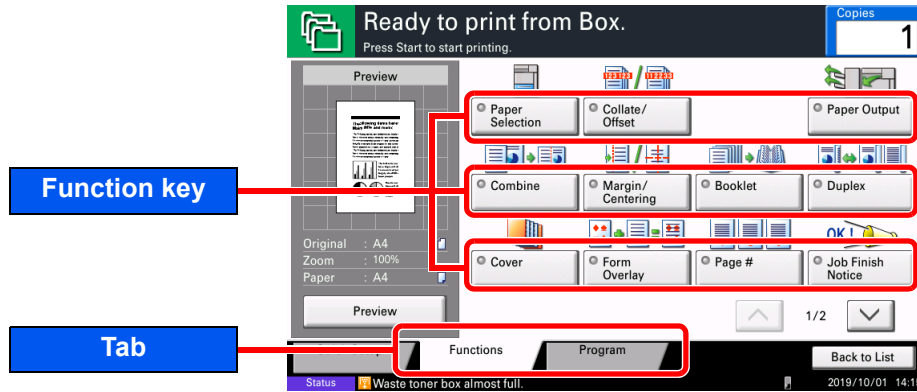
The following procedure is an example of the screen for printing from Custom Box.

The screenshot shows the 'Ready to print from Box.' screen. At the top, it says 'Press Start to start printing.' and 'Copies 1'. The main area is divided into several sections: a 'Preview' section on the left showing a document thumbnail; a central area with a printer icon and a document icon; a 'Quick Setup' section at the bottom left; and a 'Functions' section at the bottom center. The 'Functions' section includes 'Paper Selection', 'Delete after Printed', 'Collate/Offset', '1-sided', 'Duplex', 'Off', and 'Combine'. The 'Quick Setup' section includes 'Original', 'Zoom', and 'Paper'. The 'Preview' section includes 'Original', 'Zoom', and 'Paper'. The 'Copies' section is at the top right. The 'Status' bar at the bottom shows 'Waste toner box almost full.' and the date/time '2019/10/01 14:29'.

- 1 Shows an image of the output paper.
- 2 Original : Shows the size of the document to be printed.
Zoom : Shows the magnification of the document to be printed.
Paper : Shows the size of the output paper.
- 3 Displays the Quick Setup screen.
- 4 Set the print functions.
- 5 Remaining amount of toner.
- 6 Displays the time.
- 7 Displays registered shortcuts.
- 8 Displays the output tray.
- 9 Displays the paper source.

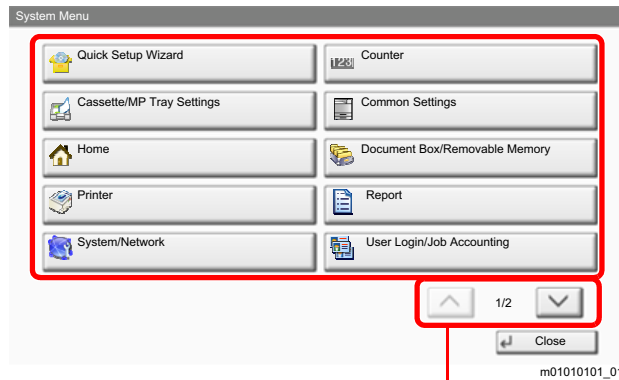
Functions Key

To configure the settings for functions, select the tab and press the function key.



Using the Screen

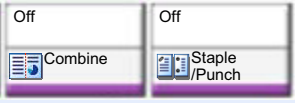
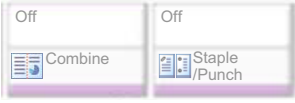
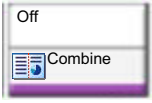
Touch panel keys that are pressed are outlined in red.



Select [^] or [v] to scroll up and down.

Display of Keys That Cannot Be Set

Keys of features that cannot be used due to feature combination restrictions or non-installation of options are in a non-selectable state.

Normal	Grayed out	Hidden
	 <p>In the following cases, the key is grayed out and cannot be selected.</p> <ul style="list-style-type: none"> • Cannot be used in combination with a feature that is already selected. • Use prohibited by user control. • [Preview] has been selected. 	 <p>Cannot be used because an option is not installed.</p>



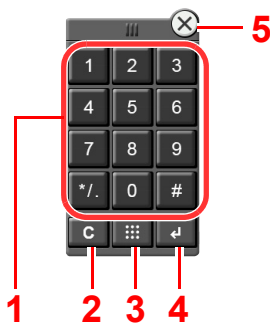
NOTE

If a key that you wish to use is grayed out, the settings of the previous user may still be in effect. In this case, select the **[Reset]** key and try again.

If the key is still grayed out after the **[Reset]** key is selected, it is possible that you are prohibited from using the function by user control. Check with the administrator of the machine.

Entering Numbers

When entering numbers, numeric keys appear on the touch panel if you select the [Numeric Keypad] key on the operation panel or select the area in which the number is entered.

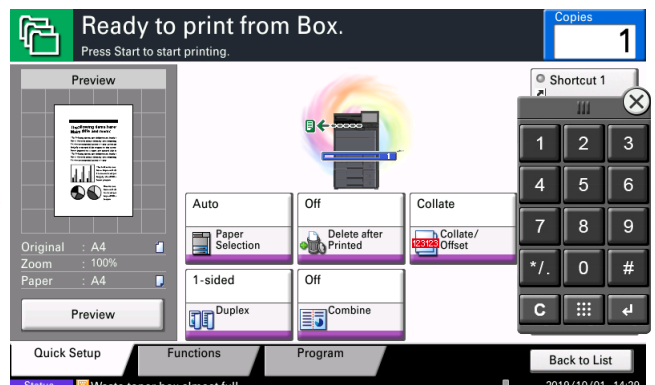
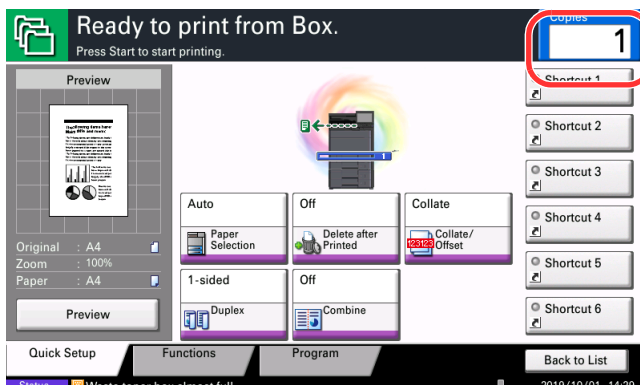


- 1 Enter numbers and symbols.
- 2 Clear entered numbers.
- 3 Quick No. Search key.
 - ➔ [Using the Quick No. Search Key \(page 2-20\)](#)
- 4 Entry by numeric keys is confirmed.
 - ➔ [Using the Enter Key \(page 2-20\)](#)
- 5 Close the numeric keypad.

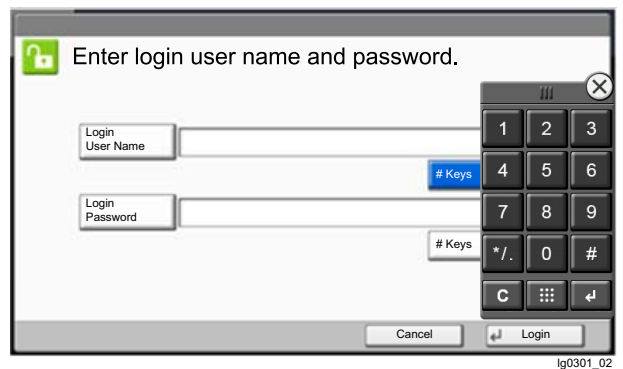
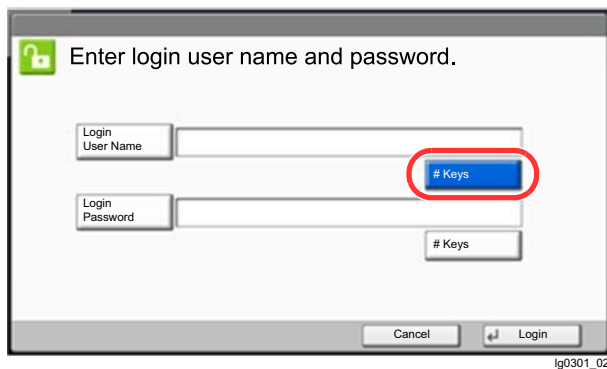
NOTE

Numeric keys do not appear on the touch panel if an optional numeric keypad is installed.

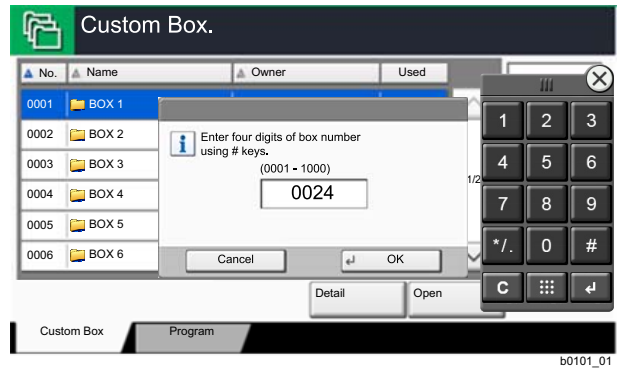
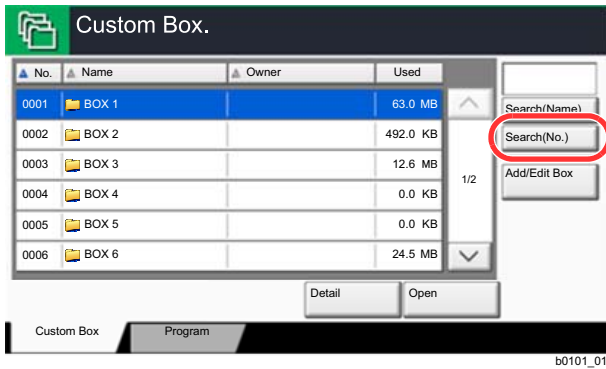
Example: When entering the number of copies



Example: When entering the login user name

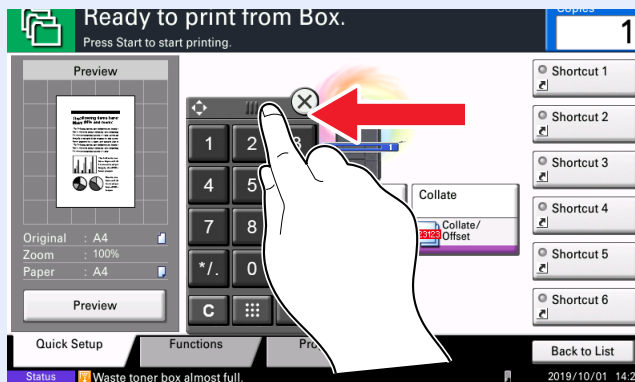


Example: When searching for a box number



NOTE

- Moving your finger while touching the top of the numeric keypad enables you to freely move to any key. (Drag operation)



- For print screen, you can set numeric keys to be displayed in advance. In addition, you can select the layout for numeric keys that are used on the application.

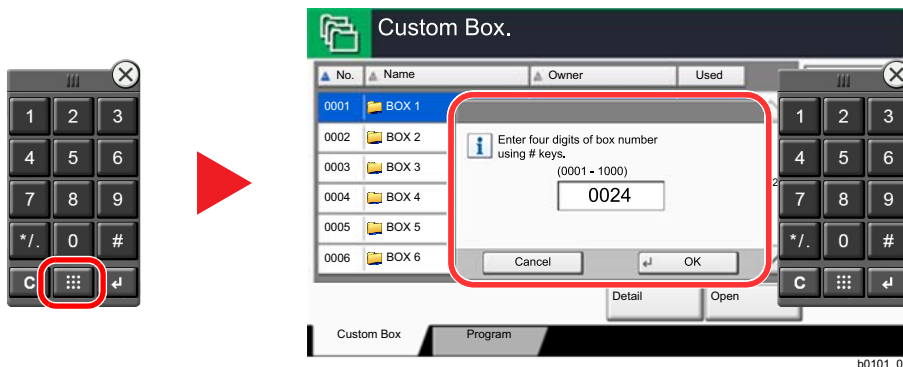
➔ [Numeric Keypad Settings \(page 8-21\)](#)

Using the Enter Key

The Enter key has the same function as the key with the Enter mark (↵), such as the [OK ↵] key and the [Close ↵].

Using the Quick No. Search Key

The Quick No. Search key performs the same action as the [No.] displayed on the touch panel. Use the Quick No. Search keys to perform an action by simply entering a number directly using the numeric keys. For example, you can specify the Custom Box by its box number or recall a stored program by its program number.



Help Screen

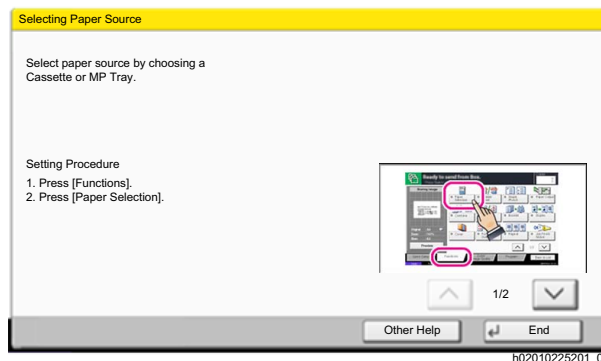
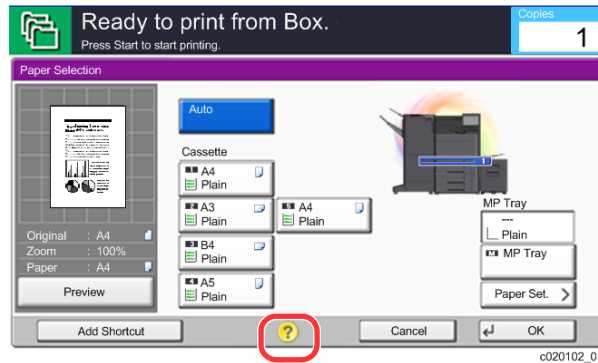
If you have difficulty operating the machine, you can check how to operate it using the touch panel.

To show the Help screen for a function, select [**Help**] on the panel of the setting screen of that function. The Help screen shows explanations of functions and how to use them.

1 Display the Paper Selection screen.

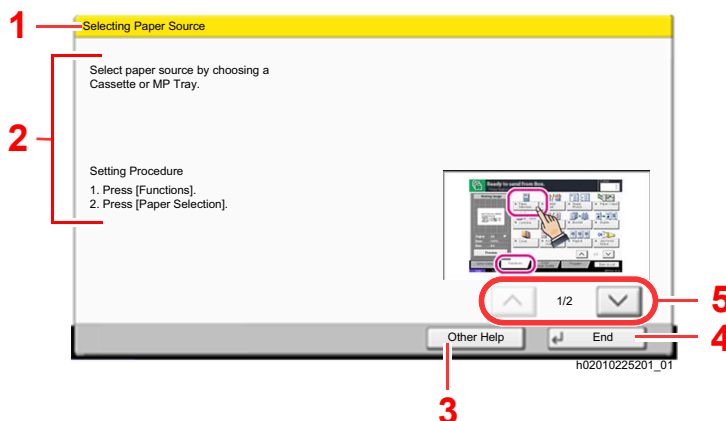
➔ [Paper Selection \(page 6-5\)](#)

2 Select [**Help**] on the panel.



Selecting [**Help**] on the Home Screen

Show the Help list.



- 1 Help titles.
- 2 Displays information about functions and machine operation.
- 3 Displays the Help list.
- 4 Closes the Help screen and returns to the original screen.
- 5 Scrolls up and down when the help text cannot be displayed in its entirety on a single screen.

Login/Logout

If you are setting a function that requires administrator rights, or if user login administration is enabled, you must enter your login user name and login password.

NOTE

The factory default login user name and login password are set as shown below.

Login User Name: 6000

Login Password: 6000

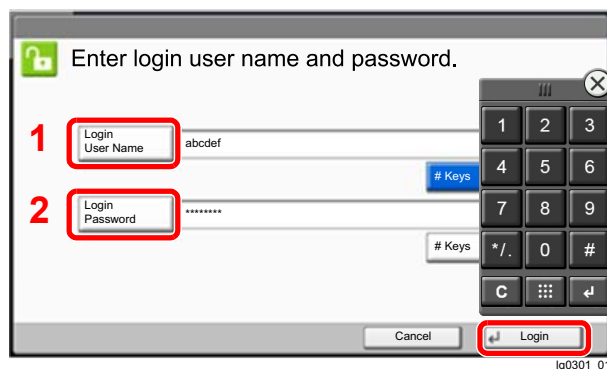
You will be unable to login if you forget your login user name or login password. In this event, login with administrator privileges and change your login user name or login password.

Login

Normal login

1 Enter the login user name and login password to login.

- 1 If this screen is displayed during operations, select [Login User Name] to enter the login user name.



➔ [Character Entry Method \(page 11-9\)](#)

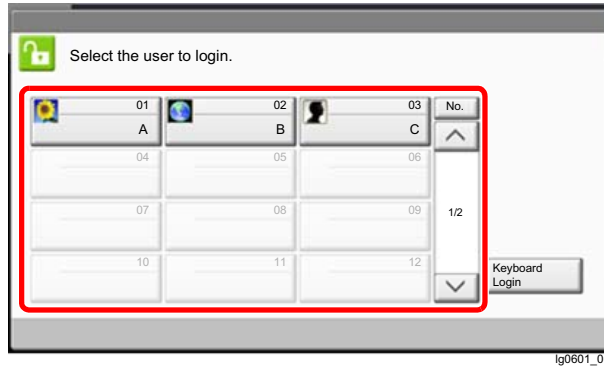
- 2 [Login Password] > Enter the login password > [OK]

NOTE

- [# Keys] can be selected to enter the number with the numeric keys on the operation panel.
- If user login administration is enabled, authentication destinations are displayed and either [Local] or [Network] can be selected as the authentication destination.
- To authenticate by ID card, select [ID Card Login].

2 Select [Login].

Simple Login



If this screen is displayed during operations, select a user and log in.

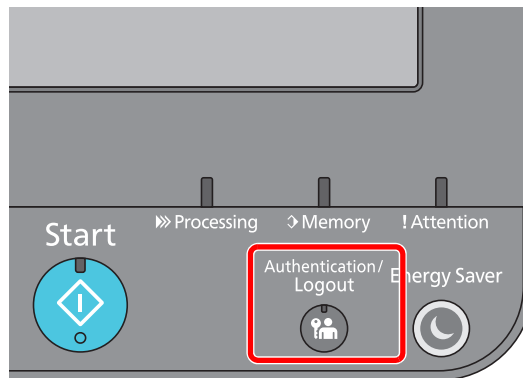


NOTE

If a user password is required, an input screen will be displayed.

➔ [Simple Login Settings \(page 9-15\)](#)

Logout



To logout from the machine, select the **[Authentication/Logout]** key to return to the login user name/login password entry screen.

Users are automatically logged out in the following circumstances:

- When the machine enters the sleep state.
- When the auto panel reset function is activated.

Default Settings of the Machine

The default settings of the machine can be changed in System Menu. Before using this machine, configure such settings as date and time, network configuration, and energy saving functions as needed.

NOTE

For settings that are configurable from System Menu, refer to the following:

➔ [Setup and Registration \(System Menu\) \(page 8-1\)](#)

Setting Date and Time

Follow the steps below to set the local date and time at the place of installation.

Set the date, time and time difference from GMT of the region where the machine is used.

NOTE

- To make changes after this initial configuration, refer to the following:
 - ➔ [Date/Timer/Energy Saver \(page 8-50\)](#)
- The correct time can be periodically set by obtaining the time from the network time server.
 - ➔ [Command Center RX User Guide](#)

1 Display the screen.

[System Menu/Counter] key > [Date/Timer/Energy Saver]

2 Configure the settings.

[Time Zone] > [Date/Time] > [Date Format]

Item	Description
Time Zone	Set the time difference from GMT. Choose the nearest listed location from the list. If you select a region that utilizes summer time, configure settings for summer time.
Date/Time	Set the date and time for the location where you use the machine. Value: Year (2000 to 2037), Month (1 to 12), Day (1 to 31), Hour (00 to 23), Minute (00 to 59), Second (00 to 59)
Date Format	Select the display format of year, month, and date. The year is displayed in Western notation. Value: Month/Day/Year, Day/Month/Year, Year/Month/Day

Network Setup

Configuring the Wired Network

The machine is equipped with network interface, which is compatible with network protocols such as TCP/IP (IPv4), TCP/IP (IPv6), NetBEUI, and IPSec. It enables network printing on the Windows, Macintosh, UNIX and other platforms.

Set up TCP/IP (IPv4) to connect to the Windows network.

Be sure to connect the network cable before configuring the settings.

➔ [Connecting LAN Cable \(page 2-7\)](#)

For other network settings, refer to the following:

➔ [Network \(page 8-30\)](#)

Configuration Method	Description	Reference Page
Configuring the Connection from the Operation Panel on This Machine	Use Quick Setup Wizard when configuring the network in a wizard-style screen, without setting individually in System menu.	Quick Setup Wizard (page 2-37)
	Use Wired Network Settings or Optional Network to configure the network in details from System menu.	Wired Network Settings (page 8-35) Optional Network (page 8-42)
Configuring Connections on the Web Page	For the equipped network interface, the connection can be set by using Command Center RX. For the optional IB-50, the connection can be set by using the dedicated Web page.	Command Center RX User Guide IB-50 Operation Guide
Setting the Connection by Using the Setup Utility of IB-50	This is the setup tool included in the CD of IB-50. You can use it on Windows.	IB-50 Operation Guide

NOTE

When you want to switch to the network interface other than Wired (default) after installing an optional Network Interface Kit (IB-50) and a Wireless Network Interface Kit (IB-35 or IB-51), select the desired setting on "Primary Network (Client)".

➔ [Primary Network \(Client\) \(page 8-45\)](#)

For other network settings, refer to the following:

➔ [Network \(page 8-30\)](#)

NOTE

If user login administration is enabled, you can only change the settings by logging in with administrator privileges. If user login administration is disabled, the user authentication screen appears. Enter a login user name and password, and select **[Login]**.

The factory default login user name and login password are set as shown below.

Login User Name: 6000

Login Password: 6000

IPv4 setting

1 Display the screen.

[System Menu/Counter] key > [System/Network] > "Network" [Next] > "Wired Network Settings" [Next] > "TCP/IP Setting" [Next] > "IPv4" [Change]

2 Configure the settings.

When using DHCP server

[DHCP]: Set to [On].

When setting the static IP address

[DHCP]: Set to [Off].

[IP Address]: Enter the address.

[Subnet Mask]: Enter the subnet mask in decimal representation (0 to 255).

[Default Gateway]: Enter the address.

When using the Auto-IP, enter "0.0.0.0" in [IP Address].



IMPORTANT

After changing the setting, restart the network from System Menu, or turn the machine OFF and then ON.

➔ [Restart Network \(page 8-42\)](#)



NOTE

Ask your network administrator for the IP address in advance, and have it ready when you configure this setting.

In the following cases, set the IP address of DNS server on the Command Center RX.

- When using the host name with "DHCP" setting set to "Off"
- When using the DNS server with IP address that is not assigned by DHCP automatically.

Setting the IP Address of the DNS Server, refer to the following:

➔ [Command Center RX User Guide](#)

Configuring the Wireless Network

When the Wireless Network Interface Kit (IB-35 and IB-51) is installed on the machine and the connection settings are configured, it is possible to print or send in a wireless network (wireless LAN) environment. The configuration methods are as follows:

Configuration Method	Description	Reference Page
Configuring the Connection from the Operation Panel on This Machine	Use Quick Setup Wizard when configuring the network in a wizard-style screen, without setting individually in System menu.	Quick Setup Wizard (page 2-37)
	Use Wi-Fi Settings or Wireless Network to configure the network in details from System menu.	Wi-Fi Settings (page 8-31) Wireless Network (page 8-43)
Setting the Connection by Using the Wi-Fi Setup Tool	This is the tool included in the Product Library. You can configure the connection according to the instructions provided by the wizard.	Setting the Connection by Using the Wi-Fi Setup Tool (page 2-27)
Setting the Connection by Using the Setup Utility of IB-51	This is the setup tool included in the CD of IB-51. You can use it on both Windows and Mac OS.	IB-51 Operation Guide
Configuring Connections on the Web Page	For the IB-35, the connection can be set from the Command Center RX.	Command Center RX User Guide
	For the IB-51, the connection can be set on the dedicated Web page.	IB-51 Operation Guide

NOTE

- The Wireless Network Interface Kit (IB-35) is an option for some models and the Wireless Network Interface Kit (IB-51) is a standard option. Contact your dealer or our sales or service representatives for detail.
 - ➔ [IB-35 "Wireless Network Interface Kit" \(page 11-5\)](#)
 - ➔ [IB-51 "Wireless Network Interface Kit" \(page 11-5\)](#)
- When you want to switch to the network interface other than Wired (default) after installing an optional Network Interface Kit (IB-50) and a optional Wireless Network Interface Kit (IB-35 or IB-51), select the desired setting on "Primary Network (Client)".
 - ➔ [Primary Network \(Client\) \(page 8-45\)](#)

Setting the Connection by Using the Wi-Fi Setup Tool

To send the Wi-Fi settings configured in the Wi-Fi Setup Tool to the machine, connect the computer or handheld device with the machine locally. The connection methods are wired connection via LAN cable and wireless LAN connection (Wi-Fi Direct).

NOTE

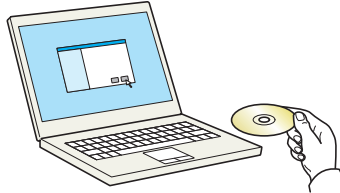
- Before using the Wi-Fi Setup Tool, connect your computer to this machine locally with wired LAN cable or Wi-Fi Direct.
- To use Wi-Fi Direct, confirm that the Wi-Fi Direct is enabled (Wi-Fi Direct is set to **[ON]**) and Restart Network from the operation panel, before your computer will be connected to this machine with Wi-Fi Direct.
- To use a wired LAN cable directly connected to the machine, the Auto-IP (Link-local) address will be assigned to the machine and the computer. This machine applies Auto-IP as the default settings.
- Configure the settings on the operation panel if your computer supports WPS.
 - ➔ [Wi-Fi Settings \(page 8-31\)](#)
 - ➔ [Wireless Network \(page 8-43\)](#)

Wired Connection by Using LAN Cable

1 Connect the machine with a computer

- 1 Connect the machine with a computer via LAN cable when the machine is powered on.
- 2 Turn on the computer.
IP address (link local address) of the machine and computer is generated automatically.

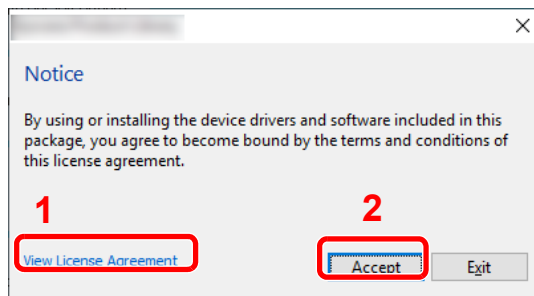
2 Insert the DVD.



NOTE

- Installation on Windows must be done by a user logged on with administrator privileges.
- If the "Welcome to the Found New Hardware Wizard" dialog box displays, select [Cancel].
- If the autorun screen is displayed, click [Run setup.exe].
- If the user account management window appears, click [Yes] ([Allow]).

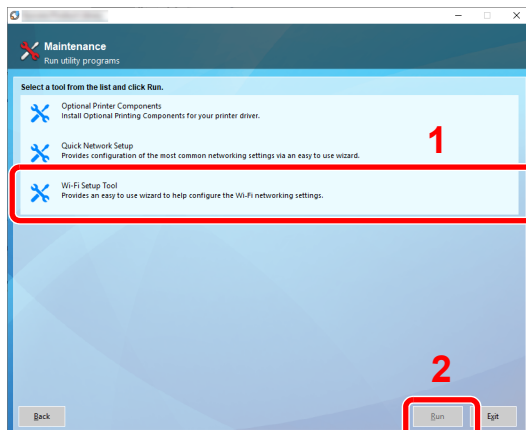
3 Display the screen.



- 1 Click [View License Agreement] and read the License Agreement.
- 2 Click [Accept].

4 Select [Maintenance].

5 [Wi-Fi Setup Tool] > [OK]



6 Configure the settings.

1 [Do not use automatic configuration] > [Next] > [Next]

2 [Use LAN cable] > [Next] > [Next]

3 [Easy setup] > [Next]

The machine is detected.

NOTE

- Only one machine can be searched using Wi-Fi Setup Tool. It may take times to search the machine.
- If the machine is not detected, select [Advanced setup] > [Next]. Select [Express] or [Custom] as device discovery method and specify the IP address or host name to search the machine.

4 Select the machine > [Next]

5 Select [Use the device settings.] on [Authentication mode], and enter the login user name and password. Login user name and Password are both Admin.

6 Configure the communication settings > [Next]

7 Change the settings of access point as necessary > [Next]

The network is configured.

Wireless LAN Connection by Using Wi-Fi Direct

1 Display the screen.

[System Menu/Counter] key > [System/Network] > "Network" [Next] > "Wi-Fi Direct Settings" [Next] > "Wi-Fi Direct" [Change]

2 Configure the settings.

[On] > [OK]

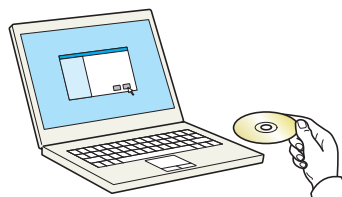
3 Restart the network.

[System Menu/Counter] key > [System/Network] > "Network" [Next] > "Restart Network" [Start] > [Yes]

4 Connect a computer or a handheld device with the machine.

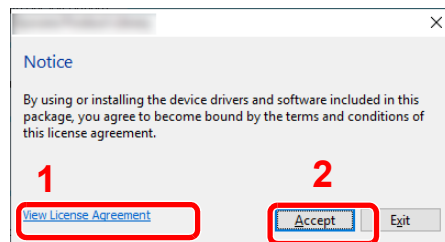
➔ [Setting Wi-Fi Direct \(page 2-31\)](#)

5 Insert the DVD.

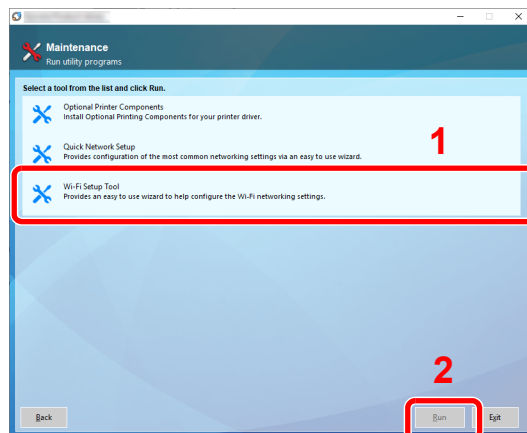


**NOTE**

- Installation on Windows must be done by a user logged on with administrator privileges.
- If the "**Welcome to the Found New Hardware Wizard**" dialog box displays, select **[Cancel]**.
- If the autorun screen is displayed, click **[Run setup.exe]**.
- If the user account management window appears, click **[Yes]** (**[Allow]**).

6 Display the screen.

- 1 Click **[View License Agreement]** and read the License Agreement.
- 2 Click **[Accept]**.

7 Select [Maintenance].**8 [Wi-Fi Setup Tool] > [OK]****9 Configure the settings.**

- 1 **[Do not use automatic configuration]** > **[Next]** > **[Next]**
- 2 **[Wi-Fi Direct]** > **[Next]** > **[Next]**
- 3 **[Advanced setup]** > **[Next]**
 - Select **[Express]** or **[Custom]** as device discovery method and specify the IP address or host name to search the machine.
- 4 Select the machine > **[Next]**
- 5 Select **[Use the device settings.]** on **[Authentication mode]**, and enter the login user name and password. Login user name and Password are both Admin.
- 6 Configure the communication settings > **[Next]**
- 7 Change the settings of access point as necessary > **[Next]**
The network is configured.

Setting Wi-Fi Direct

When the optional Wireless Network Interface Kit (IB-35) is installed on the machine, setting Wi-Fi Direct enables you to print from the Wi-Fi Direct environment. The configuration methods are as follows:

Configuring the Connection from the Operation Panel on This Machine

Connecting to Computers or Handheld Devices that Support Wi-Fi Direct

1 Display the screen.

[System Menu/Counter] key > [System/Network] > "Network" [Next] > "Wi-Fi Direct Settings" [Next] > "Wi-Fi Direct" [Change]

2 Configure the settings.

[On] > [OK]

3 Restart the network.

[System Menu/Counter] key > [System/Network] > "Network" [Next] > "Restart Network" [Start] > [Yes]

4 Specify the machine name from the computer or handheld device.

If a confirmation message appears on the operation panel of the machine, select [Yes].

The network between this machine and the handheld device is configured.

Connecting to Computers or Handheld Devices Unsupported Wi-Fi Direct

Here, we'll explain the procedures for connecting to iOS handheld devices.

1 Display the screen.

[System Menu/Counter] key > [System/Network] > "Network" [Next] > "Wi-Fi Direct Settings" [Next] > "Wi-Fi Direct" [Change]

2 Configure the settings.

[On] > [OK]

3 Restart the network.

[System Menu/Counter] key > [System/Network] > "Network" [Next] > "Restart Network" [Start] > [Yes]

4 [Home] key > [Wi-Fi Direct]

5 Note the network name (SSID), IP address, and password.

6 Configure the handheld device.

1 [Settings] > [Wi-Fi]

2 Select the network name (SSID) appeared in step 5 from the list.

- 3 Enter the password that was provided in step 5 > **[Connect]**

The network between this machine and the handheld device is configured.

Configuring the Connection by Using Push Button

When your computer or handheld device does not support Wi-Fi Direct but supports WPS, you can configure the network using push button.

- 1 Display the screen.**

[System Menu/Counter] key > [System/Network] > "Network" [Next] > "Wi-Fi Direct Settings" [Next] > "Wi-Fi Direct" [Change]

- 2 Configure the settings.**

[On] > [OK]

- 3 Restart the network.**

[System Menu/Counter] key > [System/Network] > "Network" [Next] > "Restart Network" [Start] > [Yes]

- 4 [Home] key > [Wi-Fi Direct]**

- 5 Press the push button on the computer or handheld device and select [Push Button] on the screen of operation panel simultaneously.**

The network between this machine and the computer or handheld device is configured.

IMPORTANT

You can connect up to three handheld devices at the same time using Wi-Fi Direct setting. When the devices that support Wi-Fi Direct are connected, if you want to connect other device, disconnect the already-connected devices from the network. The disconnection methods are as follows:

- Disconnect the network from the computer or handheld computer
- Disconnecting all devices from the network on the operation panel
Select [Home] > [Wi-Fi Direct] > [Connected Device List] > [Disconnect All]
- Configuring auto disconnecting time from the System menu
➔ [Wi-Fi Direct Settings \(page 8-30\)](#)
- Configuring auto disconnecting time from the Command Center RX
➔ [Command Center RX User Guide](#)

Configuring NFC

NFC (Near Field Communication) is the internal standard for near field communication in which the data communication distance is limited to approximately 10 cm. Establishing data communication simply requires you to show the handheld device supporting NFC to this machine.

The configuration methods are as follows:

Configuring Connections on the Web Page

You can set NFC from the Command Center RX.

➔ [Command Center RX User Guide](#)

Configuring the Connection from the Operation Panel on This Machine

Configure the NFC from the System Menu.

➔ [NFC \(page 8-49\)](#)

This section presents an example for configuring the NFC from the System Menu.

1 Display the screen.

[System Menu/Counter] key > [System/Network] > "NFC" [Change]

2 Configure the settings.

[On] > [OK]

Energy Saver Function

If a certain period of time elapses after the machine is last used, the machine automatically enters Low Power Mode to reduce power consumption. If a further period of time elapses without the machine being used, the machine automatically enters Sleep Mode, which minimizes power consumption.

Low Power Mode

If the machine is not operated for a certain period of time, the energy saver indicator will light up and the screen will become dark to reduce power consumption. This status is referred to as Low Power Mode.

"Low power." will be displayed on the screen.

The amount of time before entering Low Power Mode: 3 minutes (default setting).

If print data is received during Low Power Mode, the machine automatically wakes up and starts printing.

To resume, perform one of the following actions.

- Select any key on the operation panel.
- Touch the touch panel.

Recovery time from Low Power Mode is as follows.

- Within 15 seconds

Note that ambient environmental conditions, such as ventilation, may cause the machine to respond more slowly.

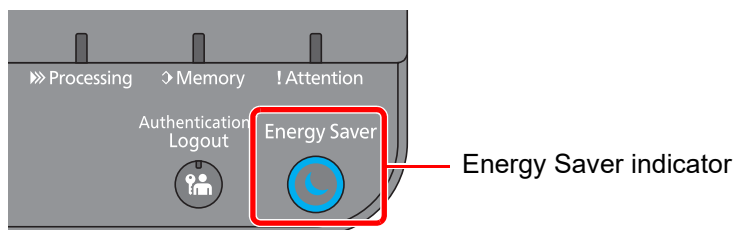


NOTE

If the Low Power Timer is equal to the Sleep Timer, a Sleep mode is preceded.

Sleep

To enter Sleep, select the **[Energy Saver]** key. Touch panel and all indicators on the operation panel will go out to save a maximum amount of power except the Energy Saver indicator. This status is referred to as Sleep.



If print data is received during Sleep, the machine automatically wakes up and starts printing.

To resume, perform the following actions.

- Select any key on the operation panel.
- Touch the touch panel.

Recovery time from Sleep Mode is as follows.

- Within 17 seconds

Note that ambient environmental conditions, such as ventilation, may cause the machine to respond more slowly.

Auto Sleep

Auto Sleep automatically switches the machine into Sleep if left idle for a preset time.

The amount of time before entering Sleep is as follows.

- 10 minutes (default setting).

To change the preset sleep time, refer to the following:

➔ [Quick Setup Wizard \(page 2-37\)](#)



NOTE

If the Low Power Timer is equal to the Sleep Timer, a Sleep Mode is preceded.

Sleep Rules (models for Europe)

You can set whether Sleep Mode operates for each function. When the machine enters Sleep Mode, the ID card cannot be recognized.

For more information on Sleep Rules settings, refer to the following:

➔ [Sleep Rules \(models for Europe\) \(page 8-51\)](#)

Sleep Level (Energy Saver) (models except for Europe)

This mode reduces power consumption even more than normal Sleep Mode, and allows Sleep Mode to be set separately for each function. Printing from a computer connected with a USB cable is not available while the machine is asleep. The time required for the machine to wake up from power save mode and resume normal operation will be longer than for normal Sleep Mode.



NOTE

If the optional Network Interface Kit is installed, Energy Saver cannot be specified.

For more information on Sleep Level (Energy Saver) Mode settings, refer to the following:

➔ [Quick Setup Wizard \(page 2-37\)](#)

Energy Saver Recovery Level

This machine can reduce power consumption when recovering from Energy Saver Mode.

For EnergySaver RecoveryLevel, "Full Recovery", "Normal Recovery" or "Power Saving Recovery" can be selected.

The factory default is "Normal Recovery".

For more information on Energy Saver Mode settings, refer to the following:

➔ [Quick Setup Wizard \(page 2-37\)](#)

➔ [EnergySaver RecoveryLevel \(page 8-52\)](#)

Weekly Timer Settings

Set the machine to automatically turn OFF and wake up at times specified for each day.

For more information on Weekly Timer Settings, refer to the following:

➔ [Quick Setup Wizard \(page 2-37\)](#)

Power Off Timer (models for Europe)

If the machine is not used while in sleep mode, the power automatically turns off. The Power Off Timer is used to set the time until the power turns off.

The factory setting for the time until the power turns off: 3 days

➔ [Power Off Timer \(models for Europe\) \(page 8-53\)](#)

Quick Setup Wizard

For Energy Saver functions and network settings, the following settings can be configured in a wizard-style screen.

Energy Saver Setup	Configures sleep mode and low power mode.	
	1. Sleep Mode	For Europe Sleep Timer Sleep Rules Except for Europe Sleep Timer Sleep Level
	2. Low Power Mode	Low Power Timer
	3.Recovery Mode	Energy Saver Recovery Level
	4.Weekly Timer Settings	Weekly Timer Schedule ^{*1} Retry Times ^{*1} Retry Interval ^{*1}
Network Setup	Configures network settings.	
	1. Network	Network Selection ^{*2} Wi-Fi ^{*3} DHCP ^{*4} IP Address ^{*5} Subnet Mask ^{*5} Default Gateway ^{*5}

*1 This function is displayed when [Weekly Timer] is set to [On].

*2 This function is displayed when the Wireless Network Interface Kit (IB-35) is installed.

The Wireless Network Interface Kit is an option for some models. Contact your dealer or our sales or service representatives for detail.

➔ [IB-35 "Wireless Network Interface Kit" \(page 11-5\)](#)

*3 This function is displayed when [Network Selection] is set to [Wi-Fi].

*4 This function is displayed when [Network Selection] is set to [Wired Network].

*5 This function is displayed when [DHCP] is set to [Off].



NOTE

If the user authentication screen appears, enter your login user name and login password and select [Login].

The factory default login user name and login password are set as shown below.

Login User Name: 6000

Login Password: 6000

1 Display the screen.

[System Menu/Counter] key > [Quick Setup Wizard]

2 Select a function.

3 Configure the settings.

Start the wizard. Follow the instructions on the screen to configure settings.



NOTE

If you experience difficulty configuring the settings, refer to the following:

➔ [Help Screen \(page 2-21\)](#)

Control	Description
End	Exits the wizard. Settings configured so far are applied.
Previous	Returns to the previous item.
Skip	Advances to the next item without setting the current item.
Next	Advances to the next screen.
Back	Returns to the previous screen.
Complete	Register the settings and exit the wizard.

Installing Software

Install appropriate software on your PC from the included DVD (Product Library) if you want to use the printer function of this machine from your PC.

Software on DVD (Windows)

You can use either [**Express Install**] or [**Custom Install**] can be selected for the installation method. [**Express Install**] is the standard installation method. To install components that cannot be installed by [**Express Install**], use [**Custom Install**].

For details on Custom Installation, refer to the following:

➔ [Custom Install \(page 2-42\)](#)

Software	Description	Express Install
KX DRIVER	This driver enables files on a computer to be printed by the machine. Multiple page description languages (PCL XL, KPDL, etc.) are supported by a single driver. This printer driver allows you to take full advantage of the features of the machine. Use this driver to create PDF files.	<input type="radio"/>
KPDL mini-driver/PCL mini-driver	This is a Microsoft MiniDriver that supports PCL and KPDL. There are some restrictions on the machine features and option features that can be used with this driver.	—
KYOCERA Net Viewer	This is a utility that enables monitoring of the machine on the network.	—
Status Monitor	This is a utility that monitors the printer status and provides an ongoing reporting function.	<input type="radio"/>
KYOCERA Net Direct Print	This makes it possible to print a PDF file without starting Adobe Acrobat/Reader.	—
FONTS	These are display fonts that enable the machine's built-in fonts to be used in a software application.	<input type="radio"/>



NOTE

Installation on Windows must be done by a user logged on with administrator privileges.

Installing Software in Windows

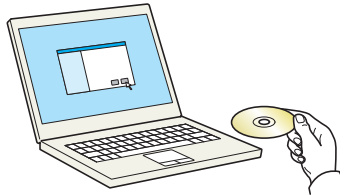
Express Install

The following procedure is an example for installing the software in Windows 8.1 using **[Express Install]**.

For details on Custom Installation, refer to the following:

➔ [Custom Install \(page 2-42\)](#)

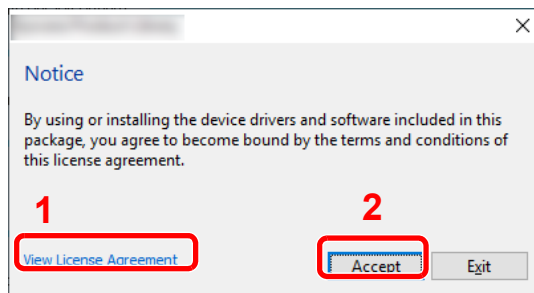
1 Insert the DVD.



NOTE

- Installation on Windows must be done by a user logged on with administrator privileges.
- If the "Welcome to the Found New Hardware Wizard" dialog box displays, select **[Cancel]**.
- If the autorun screen is displayed, click **[Run setup.exe]**.
- If the user account management window appears, click **[Yes]** (**[Allow]**).

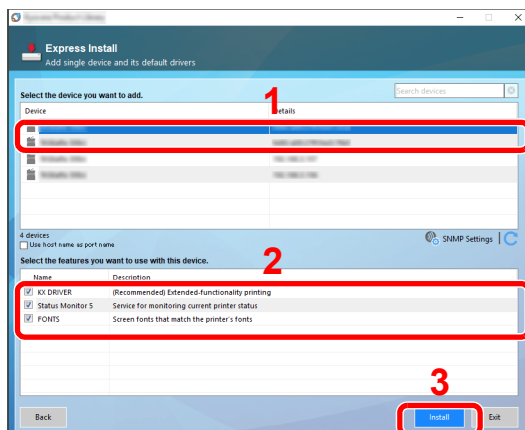
2 Display the screen.



- 1 Click **[View License Agreement]** and read the License Agreement.
- 2 Click **[Accept]**.

3 Select **[Express Install]**.

4 Install the software.




You can also select [**Use host name for port name**] and set to use the host name of the standard TCP/IP port. (A USB connection cannot be used.)

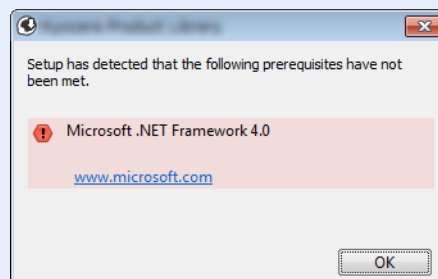
When you click [**Install**], a screen asking for your cooperation with data collection will be displayed. Select one of the answer choices and click [**OK**].

✔ IMPORTANT

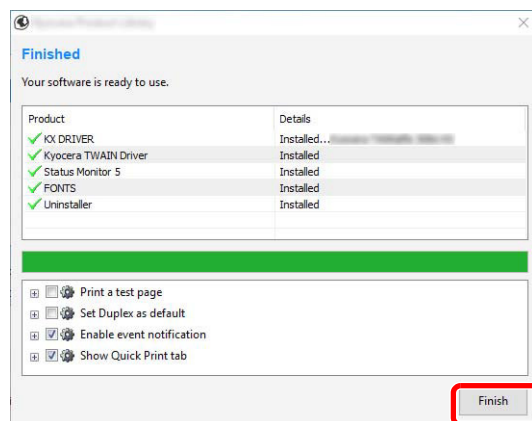
If Wi-Fi or Wi-Fi Direct is enabled, be sure to specify the IP address for the port name. Installation may fail if the host name is specified.

💡 NOTE

- The machine cannot be detected unless it is on. If the computer fails to detect the machine, verify that it is connected to the computer via a network or USB cable and that it is turned on and click  (Reload).
- If the Windows security window appears, click [**Install this driver software anyway**].
- To install Status Monitor on Windows versions preceding Windows 8, it is necessary to install Microsoft .NET Framework 4.0 beforehand.



5 Finish the installation.



When "**Your software is ready to use**" appears, you can use the software. To print a test page, click the "**Print a test page**" checkbox and select the machine.

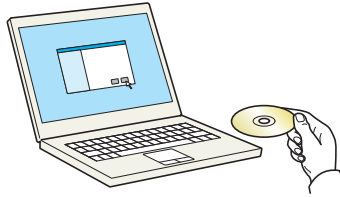
Click [**Finish**] to exit the wizard.

If a system restart message appears, restart the computer by following the screen prompts. This completes the printer driver installation procedure.

Custom Install

The following procedure is an example for installing the software in Windows 8.1 using [Custom Install].

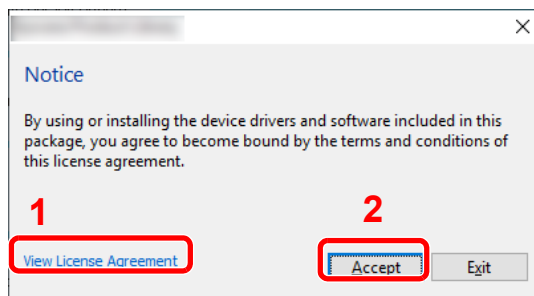
1 Insert the DVD.



NOTE

- Installation on Windows must be done by a user logged on with administrator privileges.
- If the "Welcome to the Found New Hardware Wizard" dialog box displays, select [Cancel].
- If the autorun screen is displayed, click [Run setup.exe].
- If the user account management window appears, click [Yes] ([Allow]).

2 Display the screen.

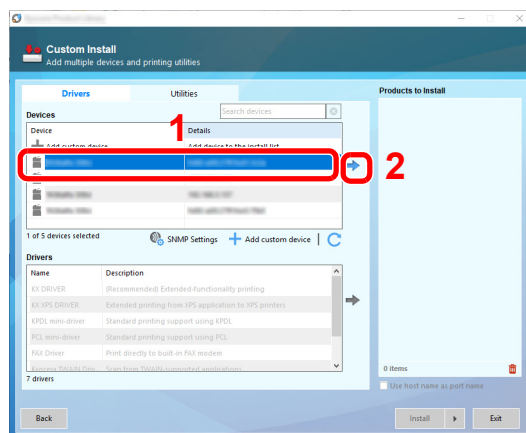


- 1 Click [View License Agreement] and read the License Agreement.
- 2 Click [Accept].

3 Select [Custom Install].

4 Install the software.

- 1 Select the device to be installed.



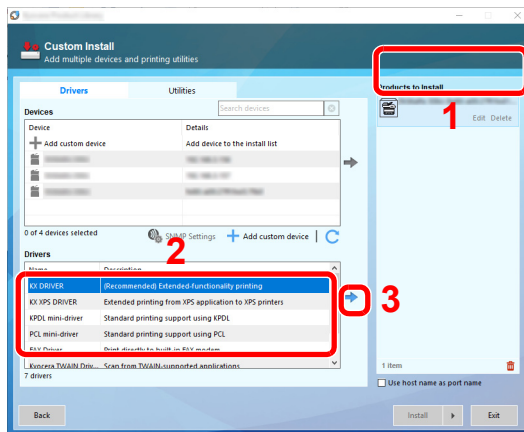
IMPORTANT

If Wi-Fi or Wi-Fi Direct is enabled, be sure to specify the IP address for the port name. Installation may fail if the host name is specified.

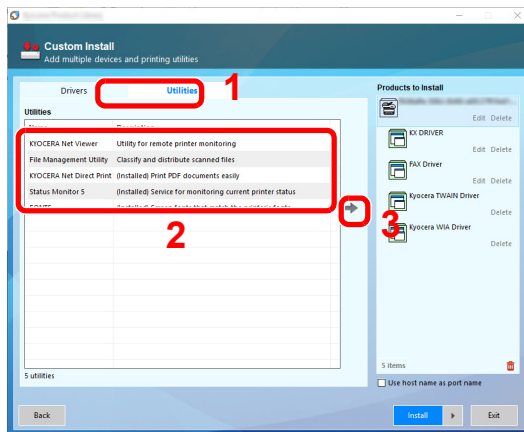
NOTE

- The machine cannot be detected unless it is on. If the computer fails to detect the machine, verify that it is connected to the computer via a network or USB cable and that it is turned on and click **C** (Reload).
- If the desired device does not appear, double-click **[Add custom device]** to display the list, and select the desired device and port.

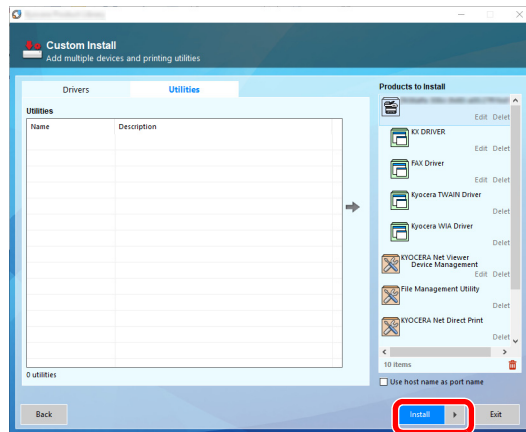
2 Select the driver to be installed.



3 Click [Utility] tab and select the utility to be installed.



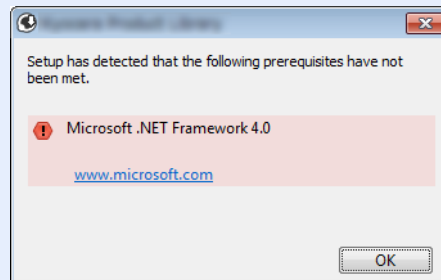
4 Install the software.



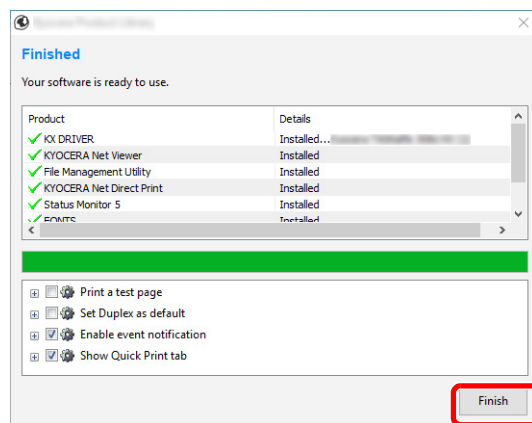
When you click **[Install]**, a screen asking for your cooperation with data collection will be displayed. Select one of the answer choices and click **[OK]**.

NOTE

To install Status Monitor and KYOCERA Net Viewer on Windows versions preceding Windows 8, it is necessary to install Microsoft .NET Framework 4.0 beforehand.



5 Finish the installation.



When "**Your software is ready to use**" appears, you can use the software. To print a test page, click the "**Print a test page**" checkbox and select the machine.

Click **[Finish]** to exit the wizard.

If a system restart message appears, restart the computer by following the screen prompts. This completes the printer driver installation procedure.

Uninstalling the Software

Perform the following procedure to delete the Software from your computer.

NOTE

Uninstallation on Windows must be done by a user logged on with administrator privileges.

1 Display the screen.

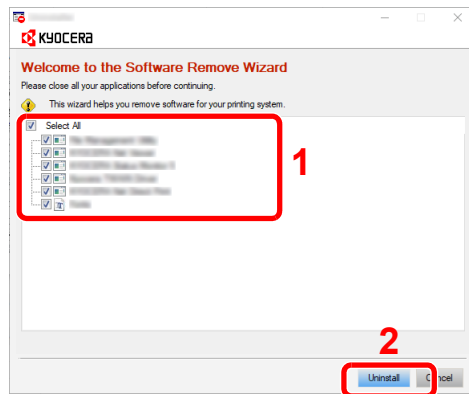
Click **[Search]** in charms, and enter "Uninstall Kyocera Product Library" in the search box. Select **[Uninstall Kyocera Product Library]** in the search list.

NOTE

In Windows 7, click **[Start]** button on the Windows and then select **[All Programs]**, **[Kyocera]**, and **[Uninstall Kyocera Product Library]** to display the Uninstall Wizard.

2 Uninstall the software.

Place a check in the check box of the software to be deleted.



3 Finish uninstalling.

If a system restart message appears, restart the computer by following the screen prompts. This completes the software uninstallation procedure.

NOTE

- The software can also be uninstalled using the Product Library.
- In the Product Library screen, click **[Uninstall]**, and follow the on-screen instructions to uninstall the software.

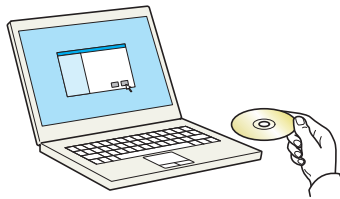
Installing Software in Mac Computer

The machine's printer functionality can be used by a Mac computer.

NOTE

- Installation on Mac OS must be done by a user logged on with administrator privileges.
- When printing from a Macintosh computer, set the machine's emulation to **[KPDLL]** or **[KPDLL(Auto)]**.
➔ [Printer \(page 8-23\)](#)
- If connecting by Bonjour, enable Bonjour in the machine's network settings.
➔ [Bonjour \(page 8-37\)](#)
- In the Authenticate screen, enter the name and password used to log in to the operating system.
- When printing via AirPrint, you do not have to install the software.

1 Insert the DVD.



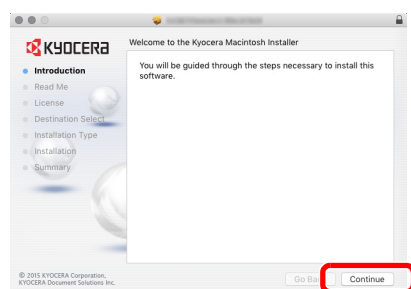
Double-click the **[Kyocera]** icon.

2 Display the screen.



Double-click **[Kyocera OS X x.x]** depending on your Mac OS version.

3 Install the Printer Driver.



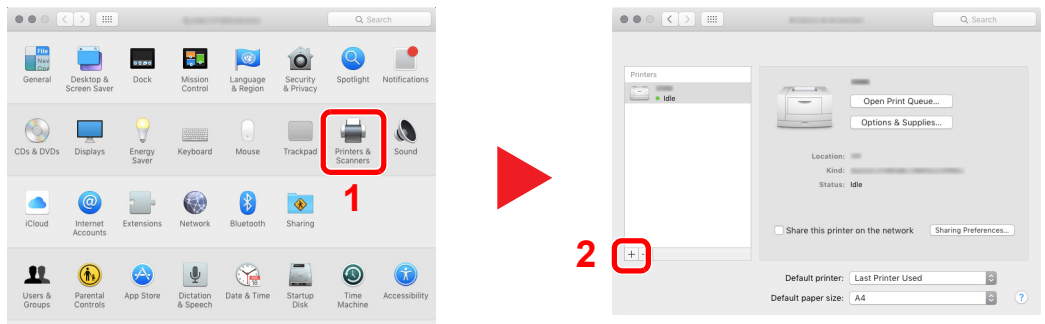
Install the printer driver as directed by the instructions in the installation software.

This completes the printer driver installation.

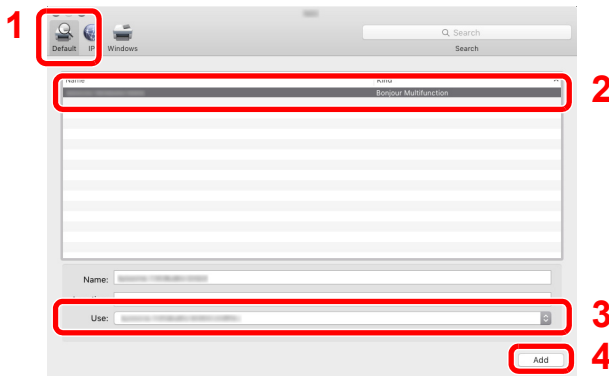
If a USB connection is used, the machine is automatically recognized and connected.
If an IP connection is used, the settings below are required.

4 Configure the printer.

1 Open System Preferences and add the printer.



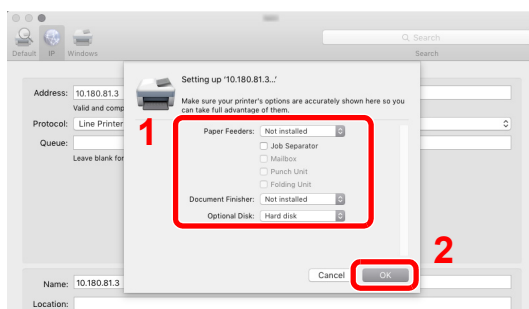
2 Select [Default] and then select the driver after clicking on the item that appears in "Name".



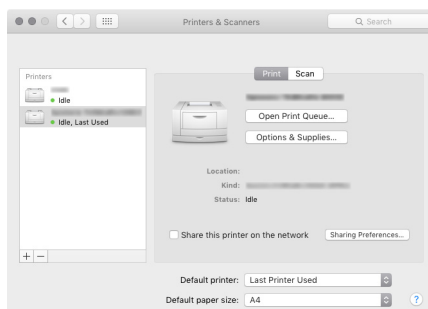
NOTE

When using an IP connection, click the IP icon for an IP connection and then enter the host name or IP address. The number entered in "Address" will automatically appear in "Name". Change if needed.

3 Select the options available for the machine.



4 The selected machine is added.



Checking the Counter

Check the number of sheets printed.

- 1 Display the screen.**
[System Menu/Counter] key > [Counter]
- 2 Check the counter.**

Additional Preparations for the Administrator

In addition to the information provided in this chapter, the administrator of this machine should check the following, and configure the settings as needed.

Strengthening the Security

This machine is shipped with two default users registered one with Machine Administrator rights, and another with Administrator rights. Logging in as this user will allow you to configure all settings; therefore, please change the login user name and password.

In addition, this machine is equipped with user authentication function, which can be configured to limit the access to this machine to only those who have a registered login name and password.

➔ [User Authentication and Accounting \(User Login, Job Accounting\) \(page 9-1\)](#)

I want to...	Function	Reference page
Restrict the users of the machine.	User Login	page 9-2
	Auto Panel Reset	page 8-50
	ID Card Settings* ¹	page 9-17
Restrict the basic functions that can be used.	Group Authorization Set.	page 9-9
	Guest Authorization Set.	page 9-11
Prevent another user from handling the documents stored in the machine.	Custom Box	page 5-15
Prevent the data stored in the machine from being leaked.	Data Overwrite* ²	Refer to the Data Security Kit (E) Operation Guide.
	Encryption* ²	
Completely delete the data on the machine before disposing of the machine.	Data Sanitization	page 8-48
Record the operation history of users.	Login History Settings	page 8-27
	Device Log History Settings	page 8-28
	Secure Comm. Error Log	page 8-29

*1 The optional Card Authentication Kit is required.

*2 The optional Data Security Kit is required.

I want to...	Function	Reference page
Protect the transmission from interception and wiretapping.	IPP over SSL	page 8-40
	HTTPS	page 8-40
	LDAP Security	Refer to the Command Center RX User Guide .
	SMTP Security	page 8-37
	POP3 Security	page 8-37
	Enhanced WSD (SSL)	page 8-39
	IPSec	page 8-37
SNMPv3	page 8-39	
Verify the software in the machine.	Software Verification	page 8-48

Command Center RX

If the machine is connected to the network, you can configure various settings using Command Center RX.

This section explains how to access Command Center RX, and how to change security settings and the host name.

➔ Command Center RX User Guide

NOTE

To fully access the features of the Command Center RX pages, enter the User Name and Password and click **[Login]**. Entering the predefined administrator password allows the user to access all pages, including Document Box. The factory default setting for the default user with administrator privileges is shown below. (Upper case and lower case letters are distinguished (case sensitive).)

Login User Name: Admin

Login Password: Admin

Settings that the administrator and general users can configure in Command Center RX are as follows.

Setting	Description	Administ-rator	General User
Device Information	The machine's structure can be checked.	<input type="radio"/>	<input type="radio"/>
Job Status	Displays all device information, including print jobs, storing jobs, and job log history.	<input type="radio"/>	<input type="radio"/>
Document Box	Add or delete document boxes, or delete documents within a document box.	<input type="radio"/>	<input type="radio"/> *1
Device Settings	Configure the advanced settings of the machine.	<input type="radio"/>	—
Function Settings	Configure the advanced function settings.	<input type="radio"/>	—
Network Settings	Configure the network advanced settings.	<input type="radio"/>	—
Security Settings	Configure the security advanced settings.	<input type="radio"/>	—
Management Settings	Configure the advanced management settings.	<input type="radio"/>	—

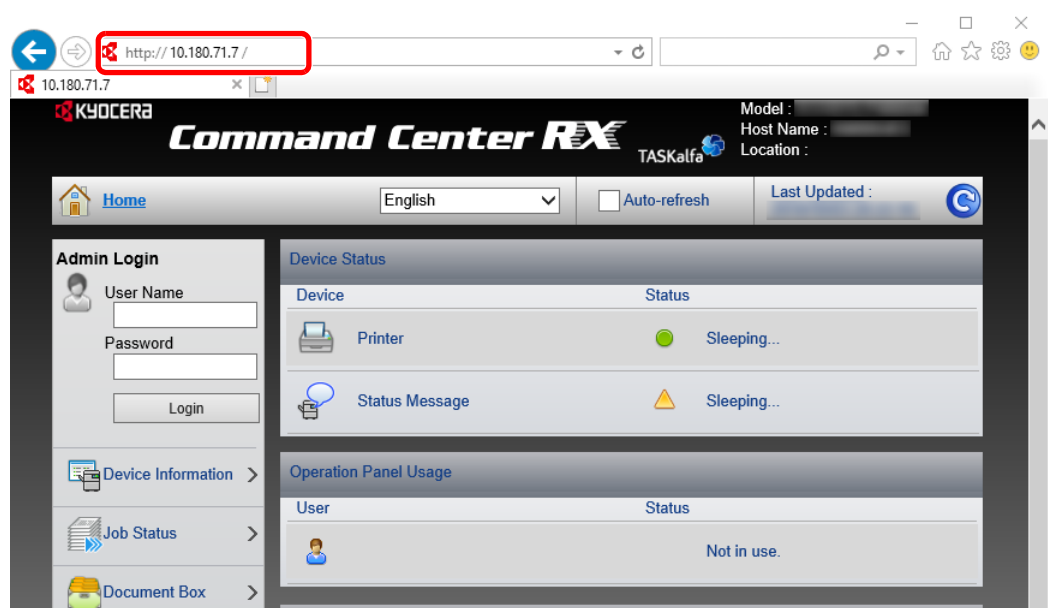
*1 The logged in user may not be able to configure some settings, depending on the permissions of the user.

Accessing Command Center RX

1 Display the screen.

- 1 Launch your Web browser.
- 2 In the address or location bar, enter the machine's IP address or the host name.
Click in the following order to check the machine's IP address and the host name.
[Device Information] in the home screen > [Identification/Wired Network]

Examples: `https://10.180.81.3/` (for IP address)
`https://MFP001` (if the host name is "MFP001")



The web page displays basic information about the machine and Command Center RX as well as their current status.



NOTE

If the screen "There is a problem with this website's security certificate." is displayed, configure the certificate.

➔ Command Center RX User Guide

You can also continue the operation without configuring the certificate.

2 Configure the function.

Select a category from the navigation bar on the left of the screen.



NOTE

To fully access the features of the Command Center RX pages, enter the User Name and Password and click [Login]. Entering the predefined administrator password allows the user to access all pages, including Document Box. The factory default setting for the default user with administrator privileges is shown below. (Upper case and lower case letters are distinguished (case sensitive).)

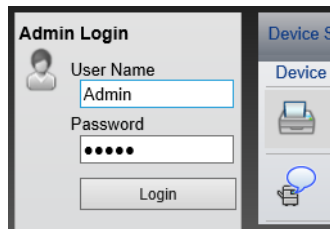
Login User Name: Admin

Login Password: Admin

Changing Security Settings

1 Display the screen.

- 1 Launch your Web browser.
- 2 In the address or location bar, enter the machine's IP address or the host name.
Click in the following order to check the machine's IP address and the host name.
[Device Information] in the home screen > [Identification/Wired Network]
- 3 Log in with administrator privileges.



The factory default setting for the default user with administrator privileges is shown below. (Upper case and lower case letters are distinguished (case sensitive).)

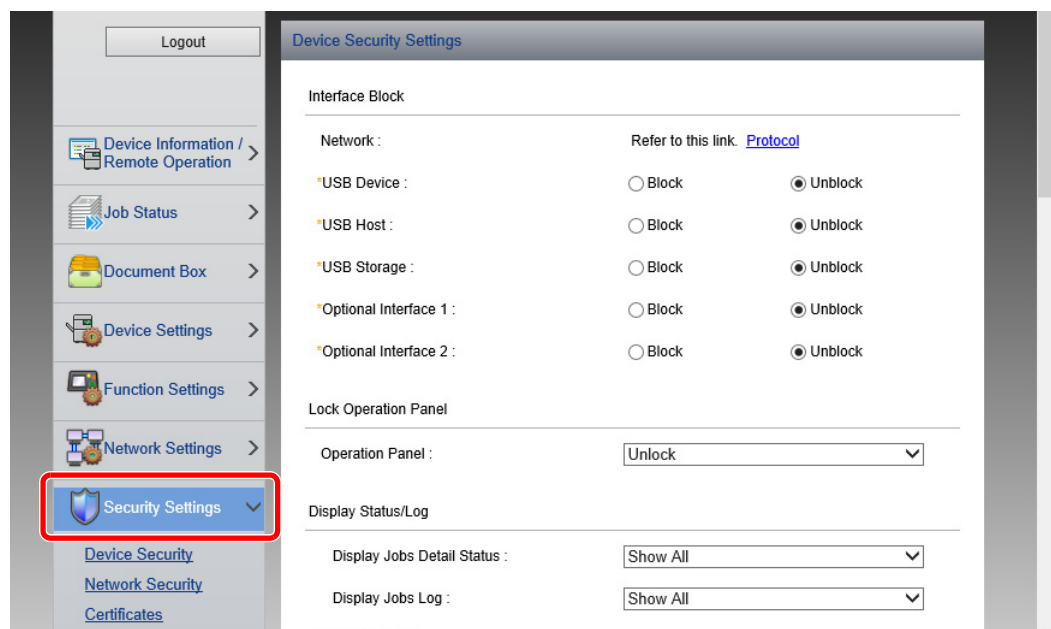
Login User Name: Admin

Login Password: Admin

- 4 Click [Security Settings].

2 Configure the Security Settings.

From the [Security Settings] menu, select the setting you want to configure.



NOTE

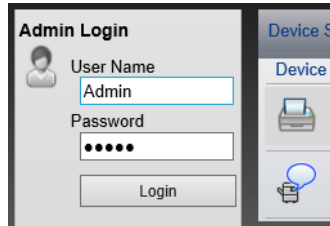
For details on settings related to certificates, refer to the following:

- ➔ **Command Center RX User Guide**

Changing Device Information

1 Display the screen.

- 1 Launch your Web browser.
- 2 In the address or location bar, enter the machine's IP address or the host name.
Click in the following order to check the machine's IP address and the host name.
[Device Information] in the home screen > [Identification/Wired Network]
- 3 Log in with administrator privileges.

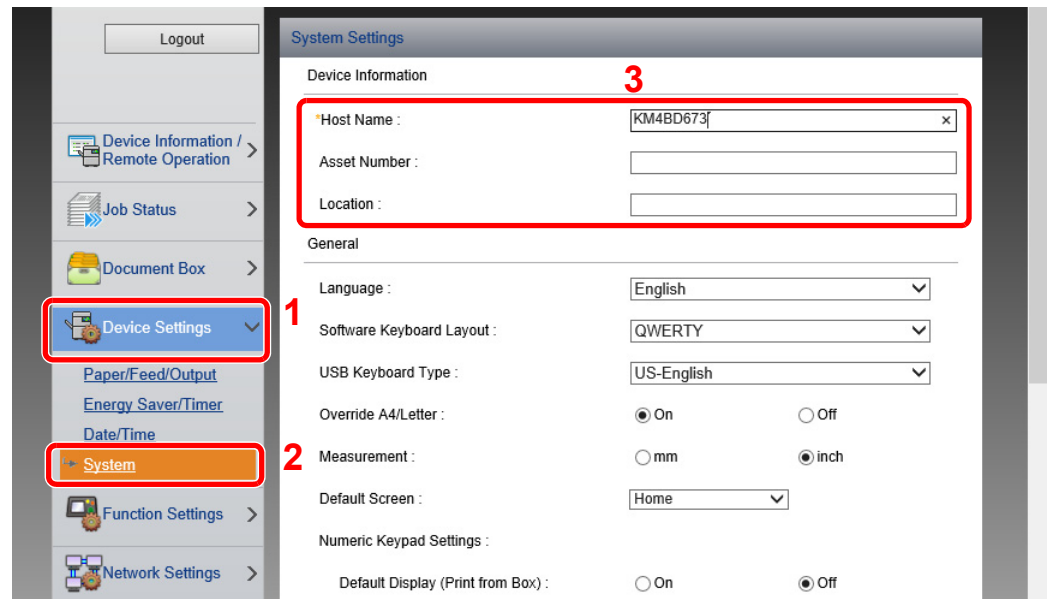


The factory default setting for the default user with administrator privileges is shown below. (Upper case and lower case letters are distinguished (case sensitive).)

Login User Name: Admin

Login Password: Admin

- 4 From the [Device Settings] menu, click [System].



2 Specify the host name.

Enter the device information, and then click [Submit].

✓ IMPORTANT

After changing the setting, restart the network or turn the machine OFF and then ON. To restart the network interface card, click [Reset] in the [Management Settings] menu, and then click [Restart Network] in "Restart".

E-mail Settings

By configuring the SMTP settings, it is possible to send E-mail notices when jobs have been completed.

To use this function, this machine must be connected to a mail server using the SMTP protocol.

In addition, configure the following.

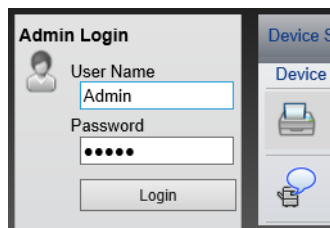
- SMTP settings
Item: "SMTP Protocol" and "SMTP Server Name" in "SMTP"
- The sender address when the machine sends E-mails
Item: "Sender Address" in "E-mail Send Settings"
- The setting to limit the size of E-mails
Item: "E-mail Size Limit" in "E-mail Send Settings"

The procedure for specifying the SMTP settings is explained below.

1 Display the screen.

Display the SMTP Protocol screen.

- 1 Launch your Web browser.
- 2 In the address or location bar, enter the machine's IP address or the host name.
Click in the following order to check the machine's IP address and the host name.
[Device Information] in the home screen > [Identification/Wired Network]
- 3 Log in with administrator privileges.

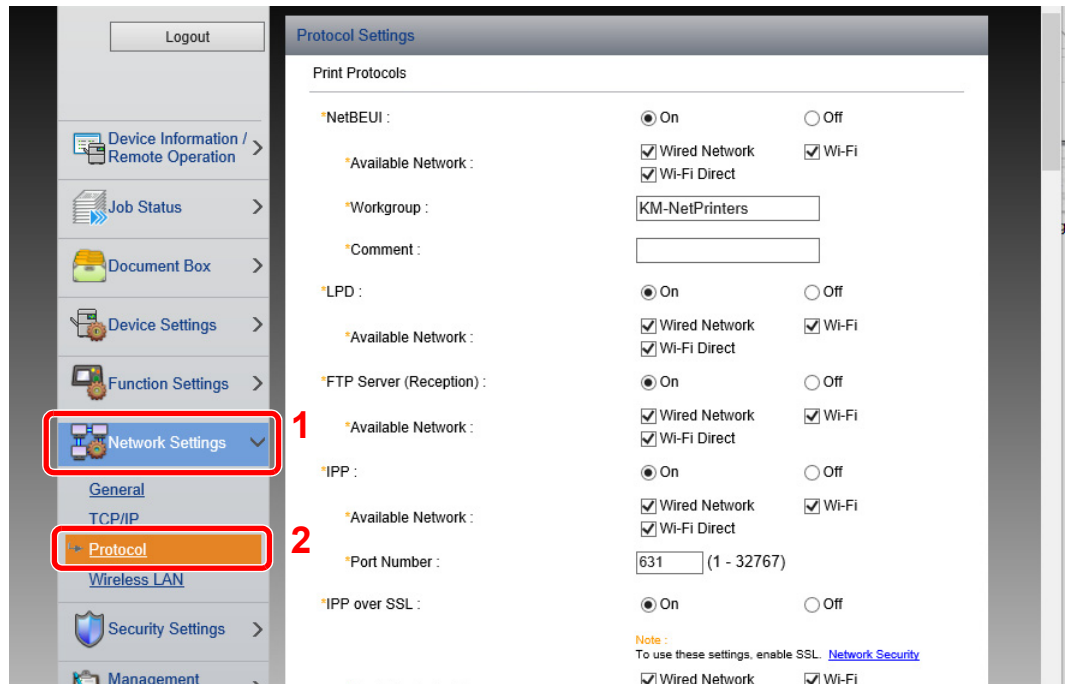


The factory default setting for the default user with administrator privileges is shown below.
(Upper case and lower case letters are distinguished (case sensitive).)

Login User Name: Admin

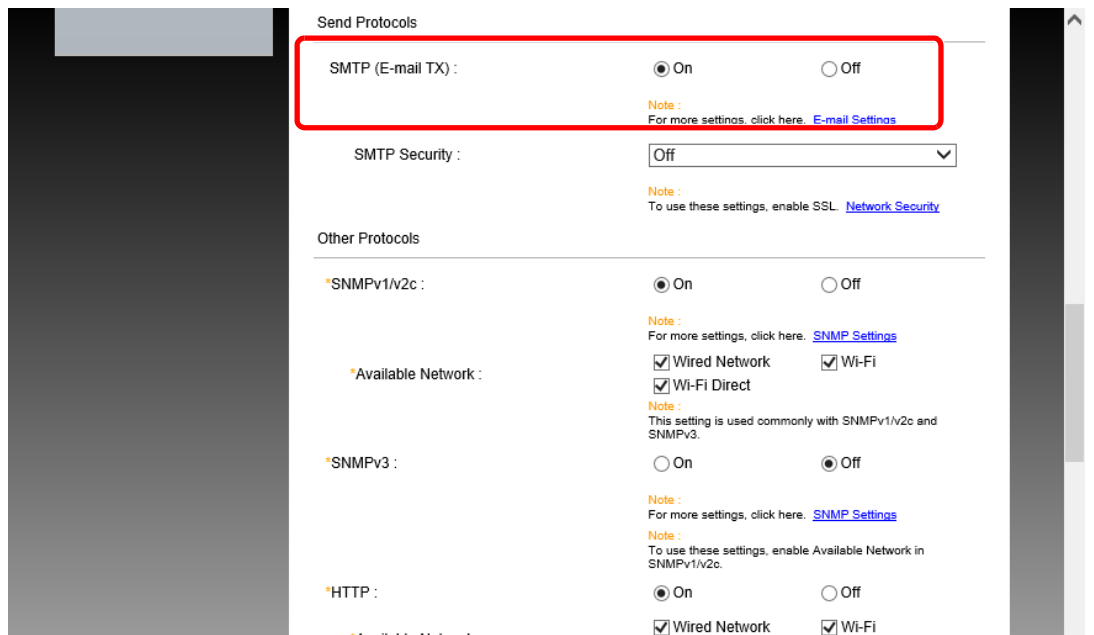
Login Password: Admin

4 From the [Network Settings] menu, click [Protocol].



2 Configure the settings.

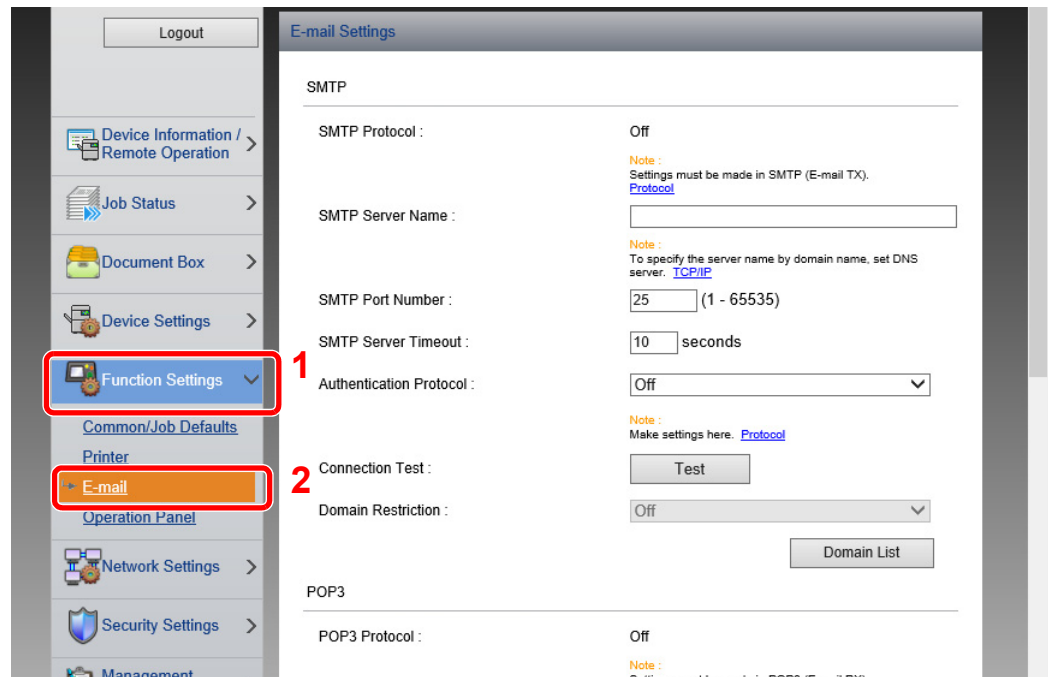
Set "SMTP (E-mail TX)" to [On] in the "Send Protocols".



3 Display the screen.

Display the E-mail Settings screen.

From the [Function Settings] menu, click [E-mail].



4 Configure the settings.

Enter "SMTP" and "E-mail Send Settings" items.

Setting	Description
SMTP	Set to send e-mail from the machine.
SMTP Protocol	Displays the SMTP protocol settings. Check that "SMTP Protocol" is set to [On]. If [Off] is set, click [Protocol] and set the SMTP protocol to [On].
SMTP Server Name*1	Enter the host name or IP address of the SMTP server.
SMTP Port Number	Specify the port number to be used for SMTP. The default port number is 25.
SMTP Server Timeout	Set the amount of time to wait before time-out in seconds.
Authentication Protocol	To use SMTP authentication, enter the user information for authentication.
SMTP Security	Set SMTP security. Turn on "SMTP Security" in "SMTP (E-mail TX)" on the [Protocol Settings] page.
Connection Test	Tests to confirm that the E-mail function is operating under the settings without sending a mail.
Domain Restriction	To restrict the domains, click the [Domain List] and enter the domain names of addresses to be allowed or rejected. Restriction can also be specified by e-mail address.

Setting		Description
POP3	POP3 Protocol	<p>You don't need to set the following items when you only enable the function of sending e-mail from the machine. Set the following items if you want to enable the function of receiving e-mail on the machine.</p> <p>➔ Command Center RX User Guide</p>
	Check Interval	
	Run once now	
	Domain Restriction	
	POP3 User Settings	
E-mail Send Settings	E-mail Size Limit	<p>Enter the maximum size of E-mail that can be sent in kilobytes. When E-mail size is greater than this value, an error message appears and E-mail sending is cancelled. Use this setting if you have set E-mail Size Limit for SMTP server. If not, enter a value of 0 (zero) to enable E-mail sending regardless of the size limit.</p>
	Sender Address^{*1}	<p>Specify the sender address for when the machine sends E-mails, such as the machine administrator, so that a reply or non-delivery report will go to a person rather than to the machine. The sender address must be entered correctly for SMTP authentication. The maximum length of the sender address is 128 characters.</p>
	Signature	<p>Enter the signature. The signature is free form text that will appear at the end of the E-mail body. It is often used for further identification of the machine. The maximum length of the signature is 512 characters.</p>
	Function Defaults	<p>Change the function default settings in [Common/Job Default Settings] page.</p>

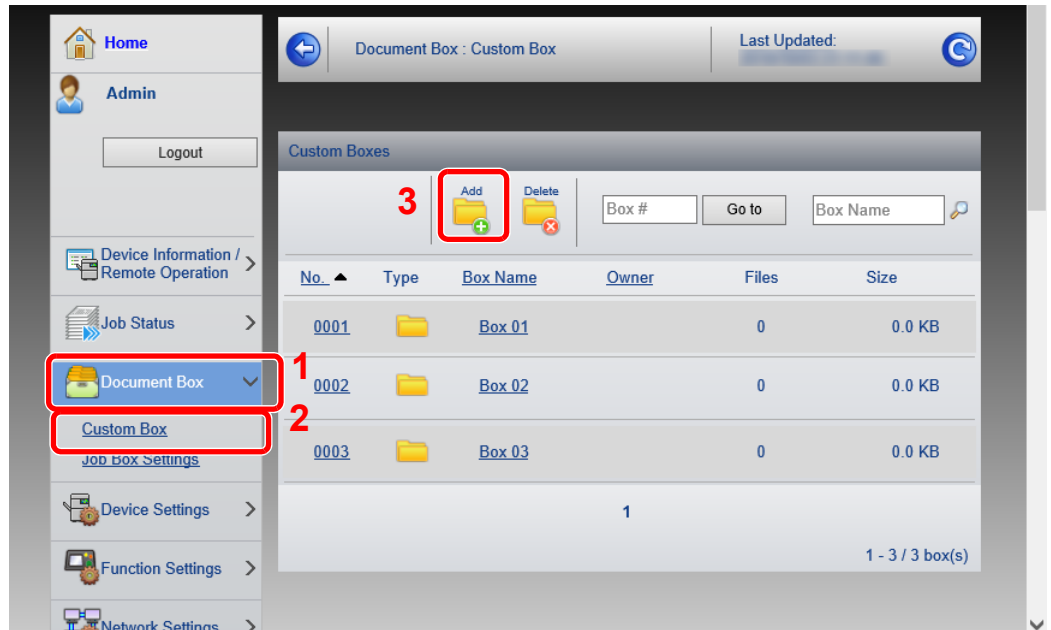
*1 Be sure to enter the items.

5 Click [Submit].

Creating a New Custom Box

1 Display the screen.

- 1 Launch your Web browser.
- 2 In the address or location bar, enter the machine's IP address or the host name.
Click in the following order to check the machine's IP address and the host name.
[Device Information] in the home screen > [Identification/Wired Network]
- 3 From the [Document Box] menu, click [Custom Box].



- 4 Click [Add].

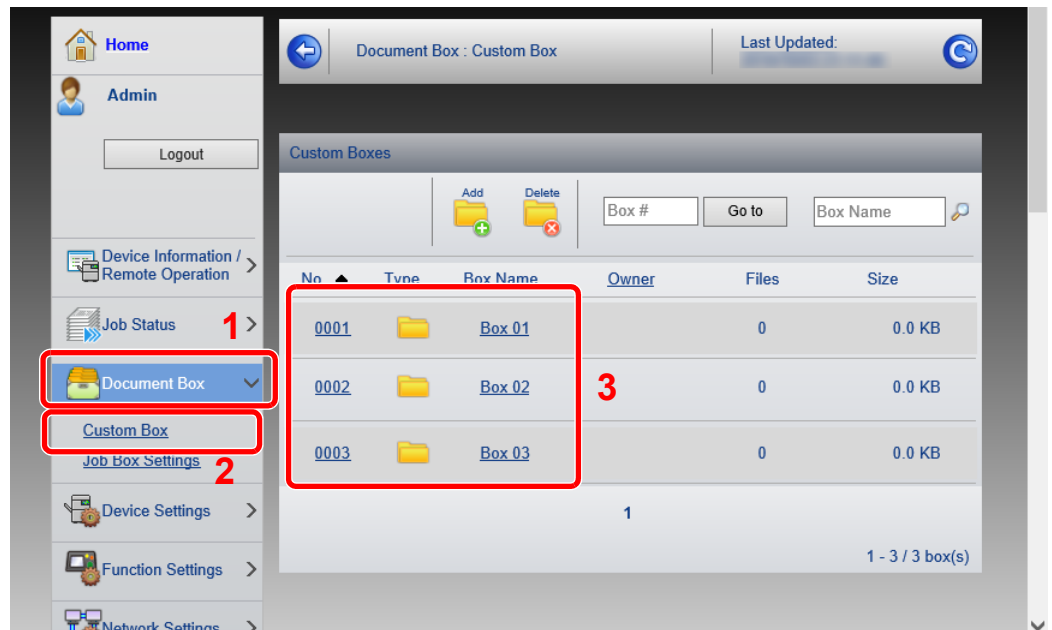
2 Configure the Custom Box.

- 1 Enter the box details.
Enter the information for the custom box you want to register. For details on the fields to populate, refer to the following:
➔ **Command Center RX User Guide**
- 2 Click [Submit].

Printing a Document Stored in a Custom Box

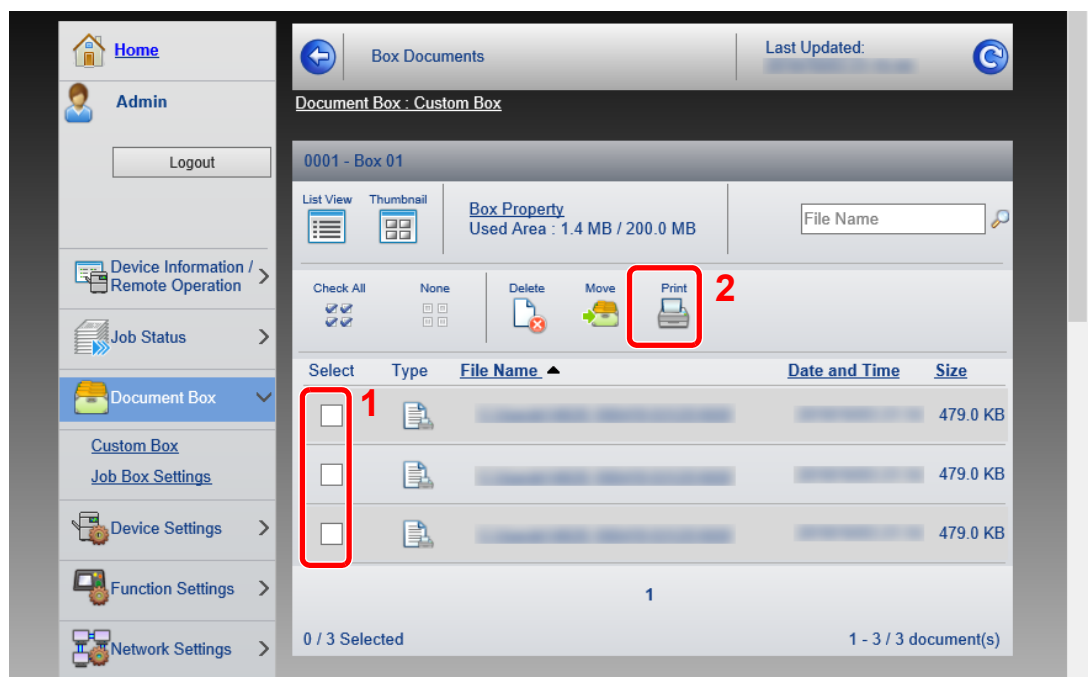
1 Display the screen.

- 1 Launch your Web browser.
- 2 In the address or location bar, enter the machine's IP address or the host name.
Click in the following order to check the machine's IP address and the host name.
[Device Information] in the home screen > [Identification/Wired Network]
- 3 From the [Document Box] menu, click [Custom Box].



- 4 Click the number or name of the Custom Box in which the document is stored.

2 Print the document.



- 1** Select the document you wish to print.
Select the checkbox of the document to be printed.
- 2** Click [**Print**].
- 3** Configure settings for printing, click [**Print**].

3 Preparation before Use

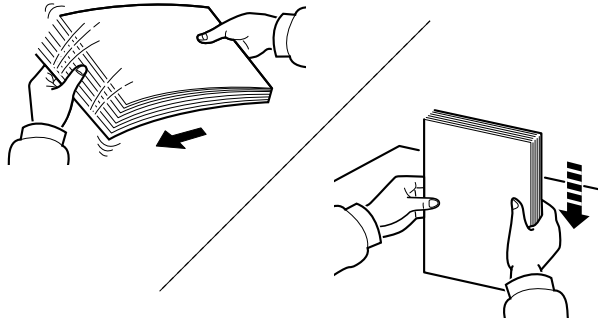
This chapter explains the following operations.

Loading Paper	3-2
Precaution for Loading Paper	3-2
Selecting the Paper Feeder Units	3-3
Loading in Cassette 1	3-4
Loading in Cassette 2	3-7
Loading Envelopes or Cardstock in the Cassettes	3-10
Loading in the Large Capacity Feeder	3-14
Loading in the Side Feeder	3-16
Precautions for Outputting Paper	3-18
Paper Stopper	3-18
Envelope Stack Guide	3-18
Stack Level Adjuster	3-19

Loading Paper

Precaution for Loading Paper

When you open a new package of paper, fan the sheets to separate them slightly prior to loading in the following steps.



Fan the paper, then tap it on a level surface.

In addition, note the following points.

- If the paper is curled or folded, straighten it before loading. Paper that is curled or folded may cause a jam.
- Avoid exposing opened paper to high humidity as dampness can be a cause of problems. Seal any remaining paper after loading in the multipurpose tray or cassettes back in the paper storage bag.
- Leaving paper in the cassette for a long time may cause a discoloration of paper by heat from the cassette heater.
- If the machine will not be used for a prolonged period, protect all paper from humidity by removing it from the cassettes and sealing it in the paper storage bag.

✔ IMPORTANT

If you print onto used paper (paper already used for printing), do not use paper that is stapled or clipped together. This may damage the machine or cause poor image quality.

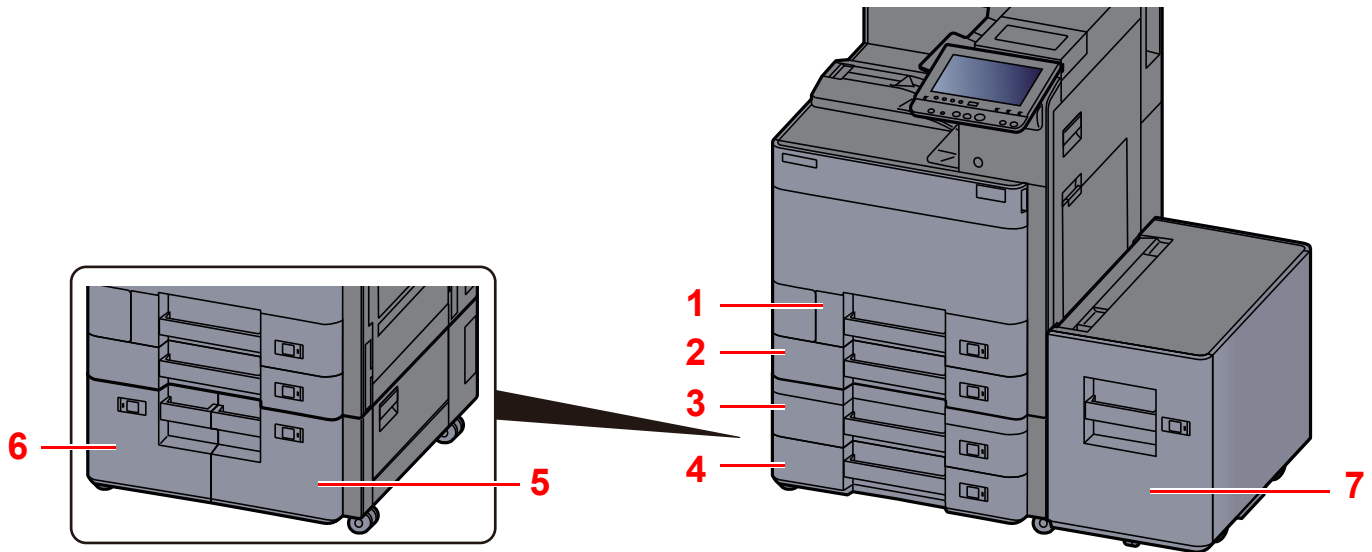
💡 NOTE

If you use special paper such as letterhead, paper with holes or paper with pre-prints like logo or company name, refer to the following:

➔ [Paper \(page 11-12\)](#)

Selecting the Paper Feeder Units

Select the paper feeder units according to the size and type of paper.



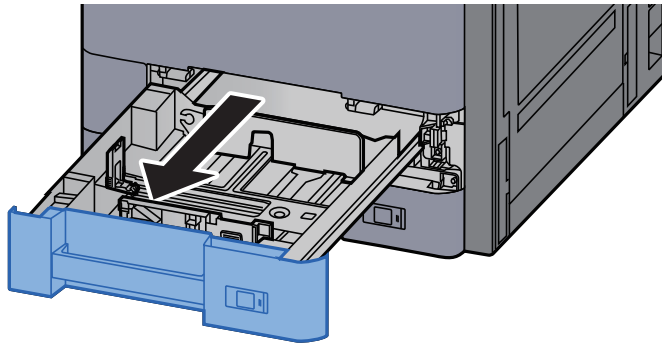
No.	Name	Paper Size	Paper Type	Capacity	Page
1	Cassette 1	A4-R, A4, A5-R, A5, A6-R, B5-R, B5, B6-R, Letter-R, Letter, Legal, Statement-R, Executive, Oficio II, Folio, 16K-R, 16K, ISO B5, Envelope #10, Envelope #9, Envelope #6, Envelope Monarch, Envelope DL, Envelope C5, Hagaki (Cardstock), Oufuku hagaki (Return postcard), Youkei 4, Youkei 2, Custom 1 to 4	Plain, Rough, Vellum, Recycled, Preprinted, Bond, Cardstock, Color, Prepunched, Letterhead, Envelope, Thick, High Quality, Custom 1 to 8	500 sheets (80 g/m ²)	page 3-4
2	Cassette 2	A3, A4-R, A4, A5-R, A5, A6-R, B4, B5-R, B5, B6-R, 216×340 mm, SRA3, Ledger, Letter-R, Letter, Legal, Statement-R, Executive, 12×18", Oficio II, Folio, 8K, 16K-R, 16K, ISO B5, Envelope #10, Envelope #9, Envelope #6, Envelope Monarch, Envelope DL, Envelope C5, Envelope C4, Hagaki (Cardstock), Oufuku hagaki (Return postcard), Youkei 4, Youkei 2, Custom 1 to 4			
3	Cassette 3				
4	Cassette 4				
5	Cassette 3	A4, Letter, B5 (Fixed to one of sizes.)	Plain, Rough, Vellum, Recycled, Preprinted, Bond, Color, Prepunched, Letterhead, Thick, High Quality, Custom 1 to 8	1,500 sheets (80 g/m ²)	page 3-14
6	Cassette 4				
7	Cassette 5			3,000 sheets (80 g/m ²)	page 3-16

NOTE

- The number of sheets that can be held varies depending on your environment and paper type.
- You should not use inkjet printer paper or any paper with a special surface coating. (Such paper may cause paper jams or other faults.)

Loading in Cassette 1

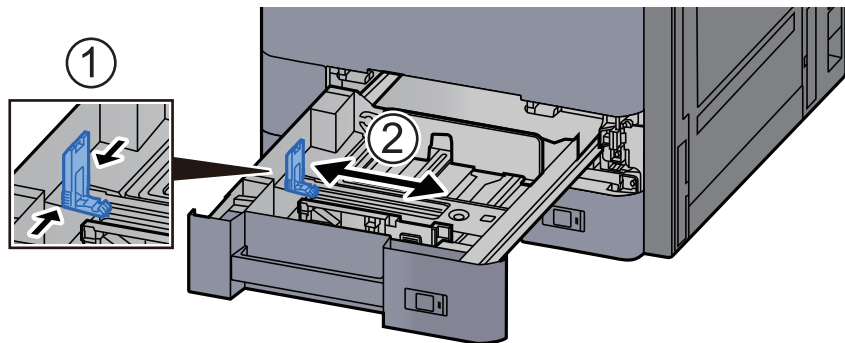
- 1 Pull the cassette completely out of the machine.**



NOTE

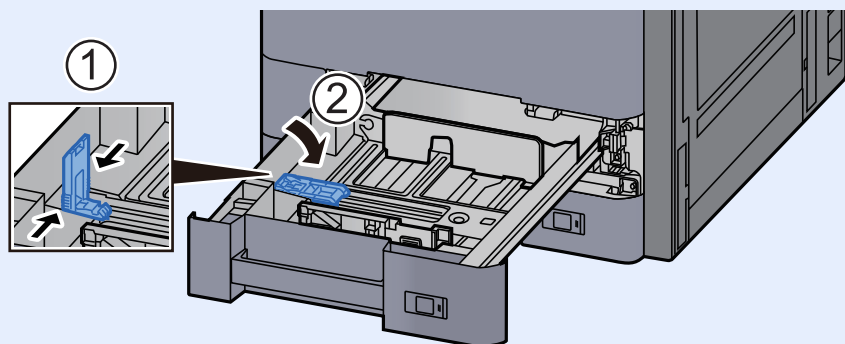
Do not pull out more than one cassette at a time.

- 2 Adjust the paper length guide to the paper size required.**

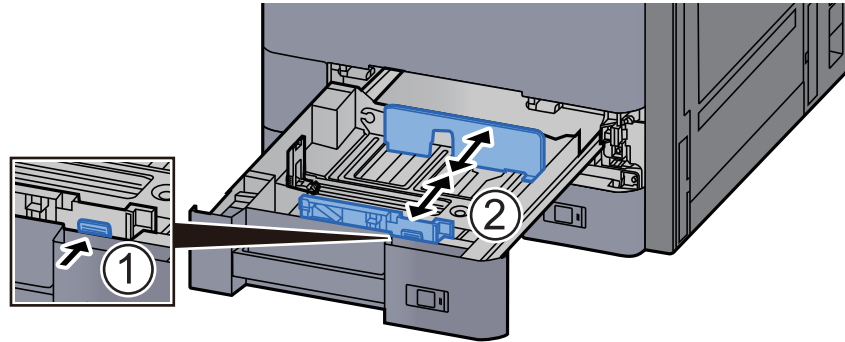


NOTE

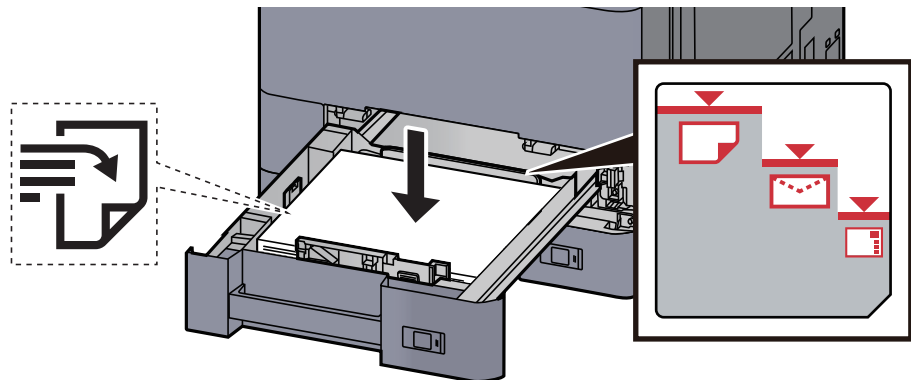
When using Legal size paper, move the paper length guide to the extreme left and lay it down.



3 Adjust the position of the paper width guides located on the left and right sides of the cassette.



4 Load paper.

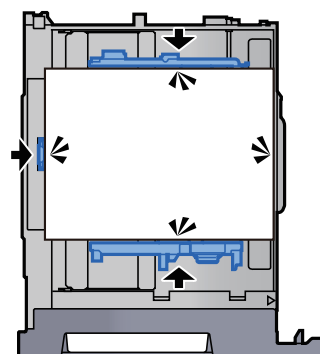


✓ IMPORTANT

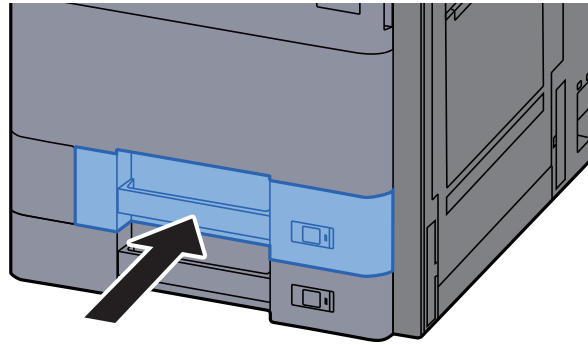
- Load the paper with the print side facing up.
- After removing new paper from its packaging, fan the paper before loading it in the cassette.
➔ [Precaution for Loading Paper \(page 3-2\)](#)
- Before loading the paper, be sure that it is not curled or folded. Paper that is curled or folded may cause paper jams.
- Ensure that the loaded paper does not exceed the level indicator (see illustration above).
- If paper is loaded without adjusting the paper length guide and paper width guide, the paper may skew or become jammed.

5 Be sure that the paper length and width guides rest securely against the paper.

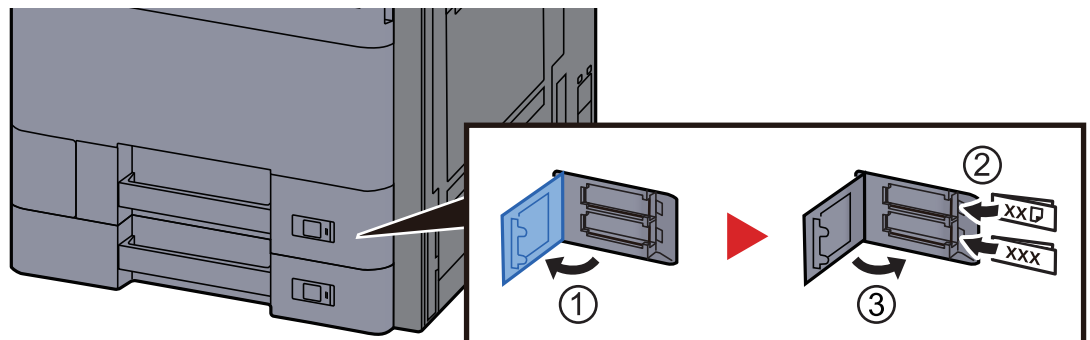
If there is a gap, readjust the guides to fit the paper.



6 Gently push the cassette back in.



7 Insert the indication on the sheet so as to match the size and type of paper to be placed.



8 Display the screen.

[System Menu/Counter] > [Cassette/MP Tray Settings] > "Cassette 1" [Next]

9 Configure the function.

Select the paper size and paper type.

➔ [Cassette 1 \(to 5\) \(page 8-6\)](#)

NOTE

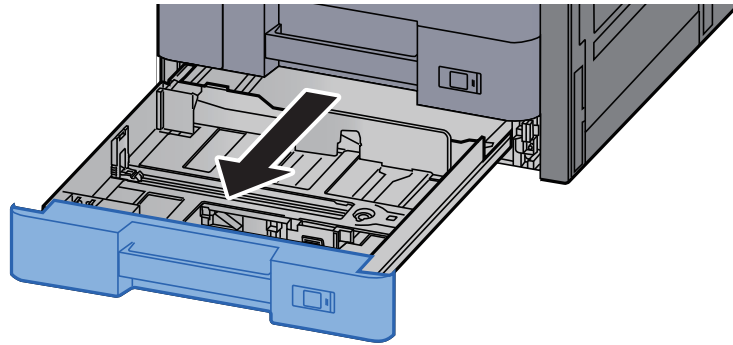
Paper size can be automatically detected and selected, refer to the following.

➔ [Paper Selection \(page 6-5\)](#)

➔ [Cassette 1 \(to 5\) \(page 8-6\)](#)

Loading in Cassette 2

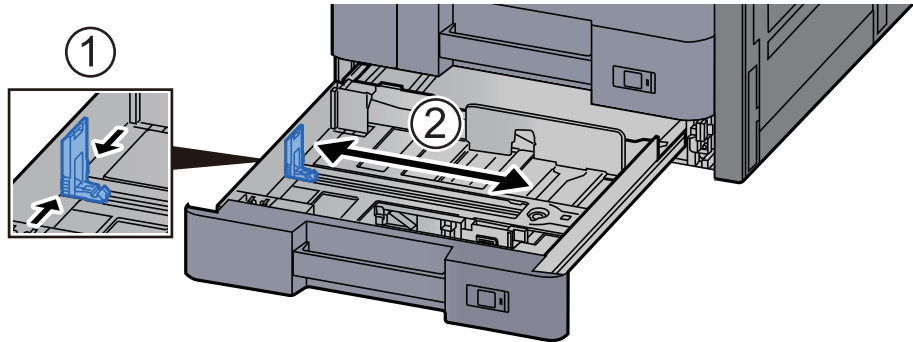
- 1 Pull the cassette completely out of the machine.**



NOTE

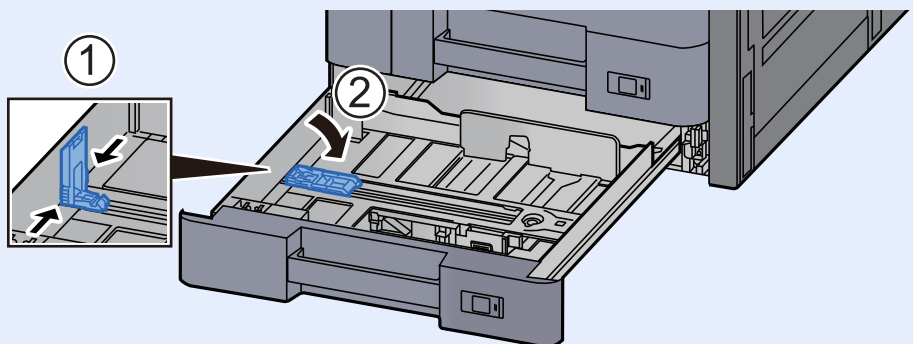
Do not pull out more than one cassette at a time.

- 2 Adjust the paper length guide to the paper size required.**

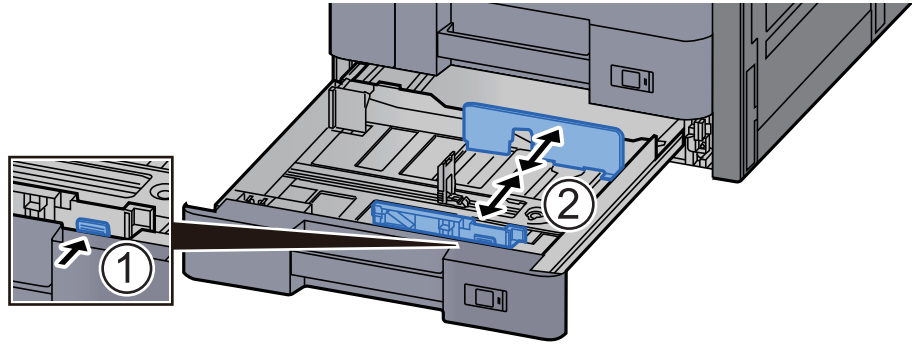


NOTE

When using 12×18" size paper, move the paper length guide to the extreme left and lay it down.

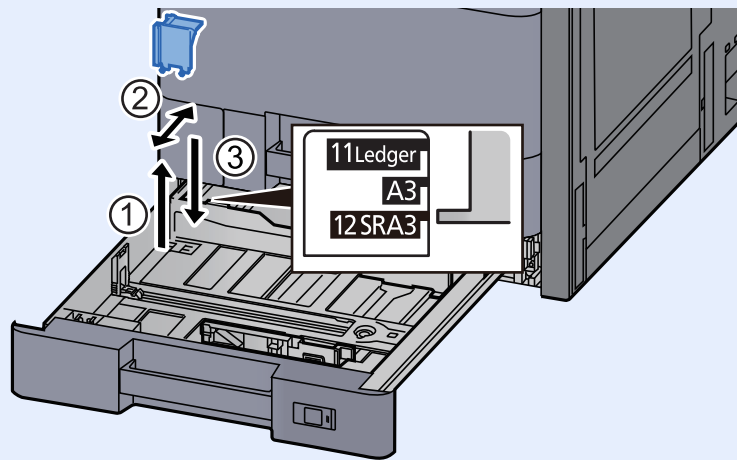


3 Adjust the position of the paper width guides located on the left and right sides of the cassette.

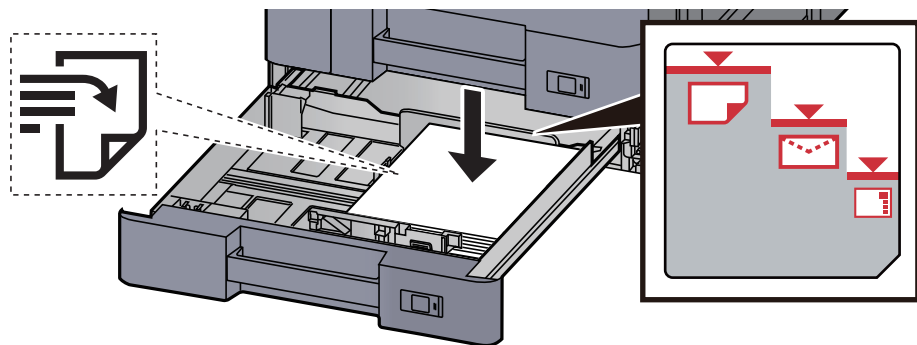


NOTE

When using SRA3/12×18", A3, or Ledger paper, adjust the auxiliary guide accordingly.



4 Load paper.

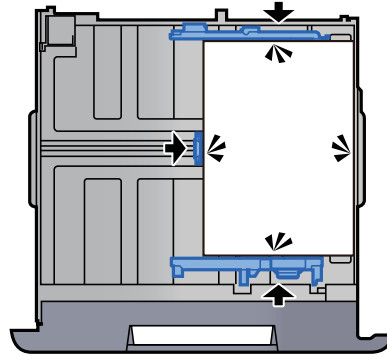


IMPORTANT

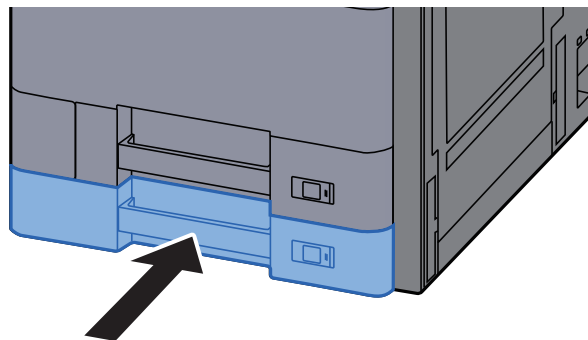
- Load the paper with the print side facing up.
- After removing new paper from its packaging, fan the paper before loading it in the cassette.
→ [Precaution for Loading Paper \(page 3-2\)](#)
- Before loading the paper, be sure that it is not curled or folded. Paper that is curled or folded may cause paper jams.
- Ensure that the loaded paper does not exceed the level indicator (see illustration above).
- If paper is loaded without adjusting the paper length guide and paper width guide, the paper may skew or become jammed.

5 Be sure that the paper length and width guides rest securely against the paper.

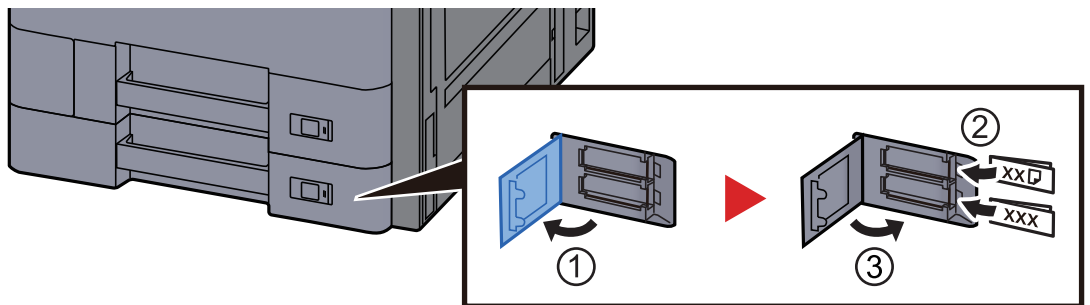
If there is a gap, readjust the guides to fit the paper.



6 Gently push the cassette back in.



7 Insert the indication on the sheet so as to match the size and type of paper to be placed.



8 Display the screen.

[System Menu/Counter] > [Cassette/MP Tray Settings] > "Cassette 2" [Next]

9 Configure the function.

Select the paper size and paper type.

➔ [Cassette 1 \(to 5\) \(page 8-6\)](#)



NOTE

Paper size can be automatically detected and selected, refer to the following.

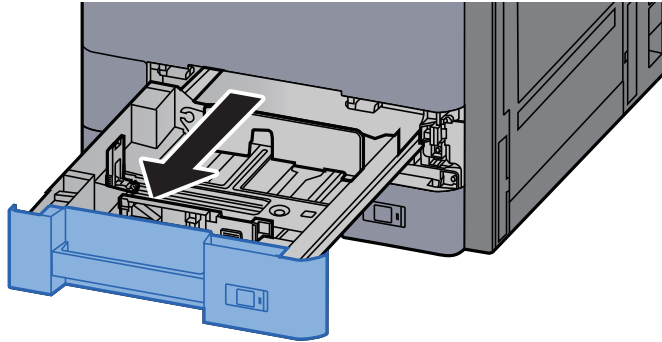
➔ [Paper Selection \(page 6-5\)](#)

➔ [Cassette 1 \(to 5\) \(page 8-6\)](#)

Loading Envelopes or Cardstock in the Cassettes

Load envelope or cardstock in the cassettes. Here, we'll explain the procedures for cassette 1, as an example.

1 Pull Cassette 1 completely out of the machine.

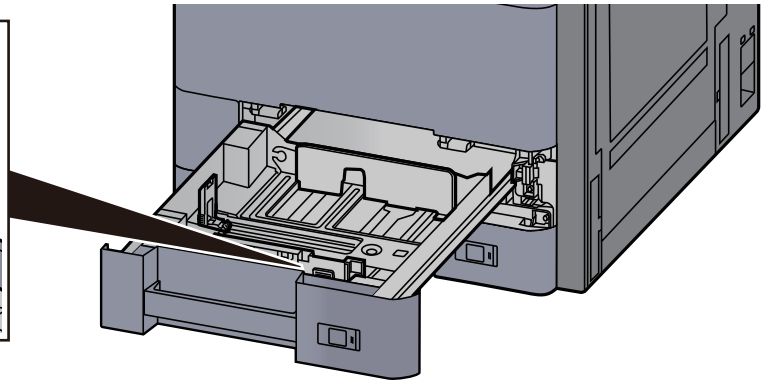
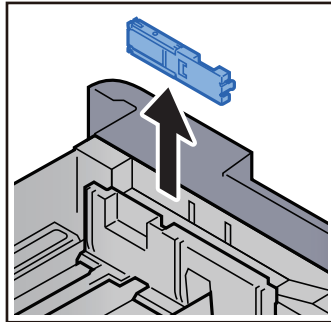


NOTE

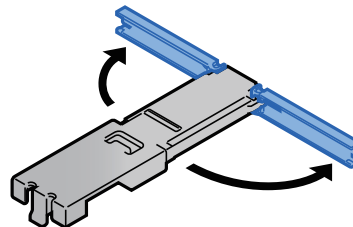
Do not pull out more than one cassette at a time.

2 Remove the envelope feed guide.

When loading cardstock, go to step 5.

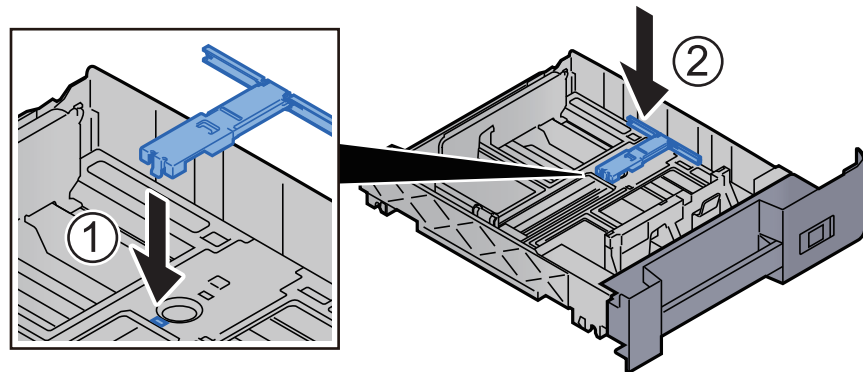


3 Expand the lever of the envelope feed guide when loading envelopes larger than Envelope C5 which has a width of 162 mm (6.4").

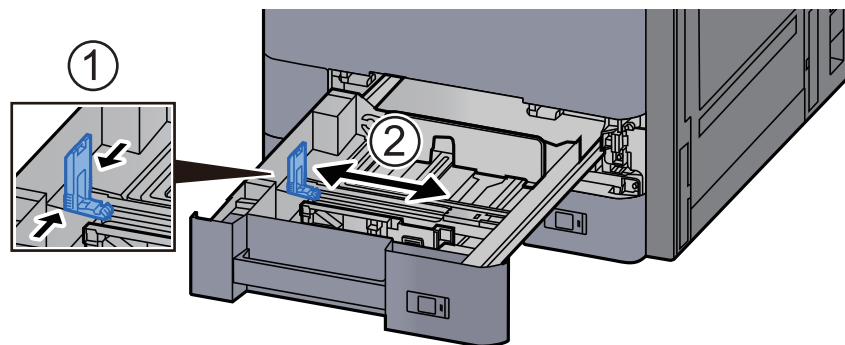


4 Attach the envelope feed guide as shown in the illustration.

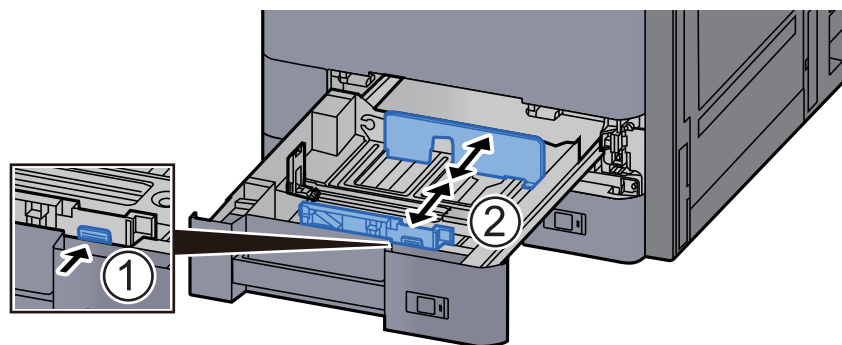
The illustration below shows that the lever of the envelope feed guide is expanded.



5 Adjust the paper length guide to the paper size required.

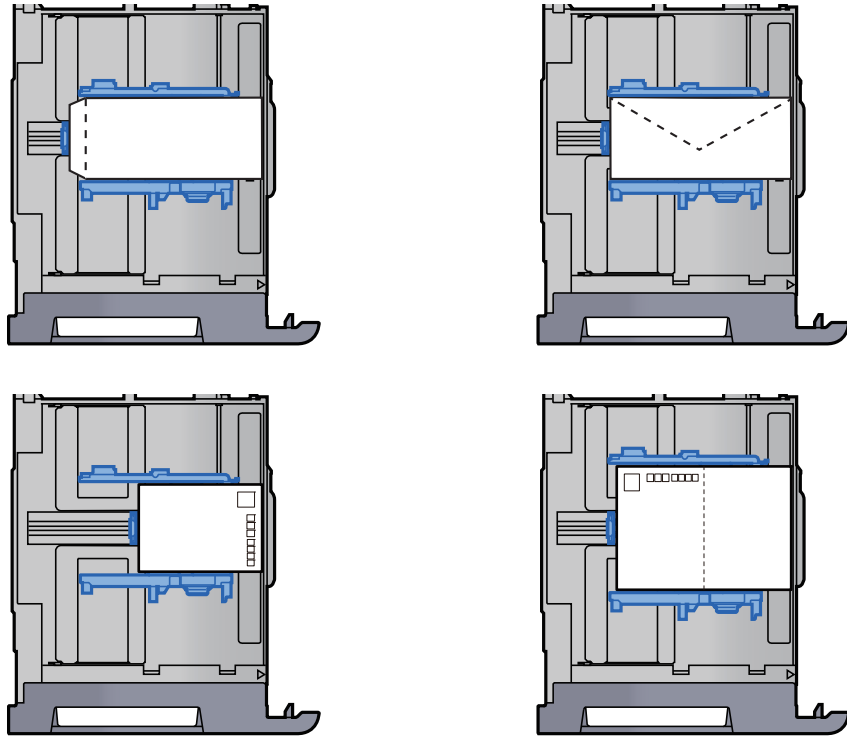


6 Adjust the position of the paper width guides located on the left and right sides of the cassette.



7 Load the envelope with the print side facing up.

Example: When printing the address.



✔ IMPORTANT

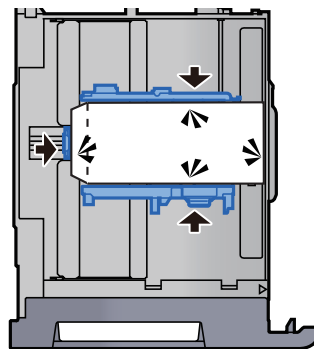
- How to load envelopes (orientation and facing) will differ depending on the type of envelope. Be sure to load it in correctly, otherwise printing may be done in the wrong direction or on the wrong face.
- Ensure that loaded envelopes do not exceed the level indicator.

💡 NOTE

Approximately 100 post cards or 30 envelopes can be set.

8 Be sure that the paper length and width guides rest securely against the paper.

If there is a gap, readjust the guides to fit the paper.



9 Gently push Cassette 1 back in.

10 Display the screen.

[System Menu/Counter] > [Cassette/MP Tray Settings] > "Cassette 1" [Next]

11 Configure the function.

Select the paper size and type of envelope.

➔ [Cassette 1 \(to 5\) \(page 8-6\)](#)

12 Set by using the printer driver on the PC.

Select the paper size and type of envelope using the printer driver on the PC.

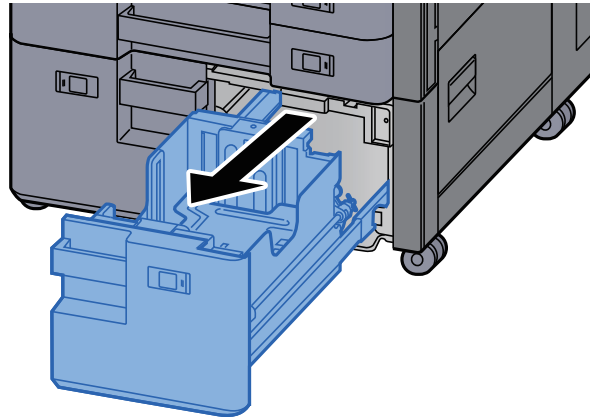
➔ [Printing on Standard Sized Paper \(page 4-4\)](#)

➔ [Printing on Non-standard Sized Paper \(page 4-6\)](#)

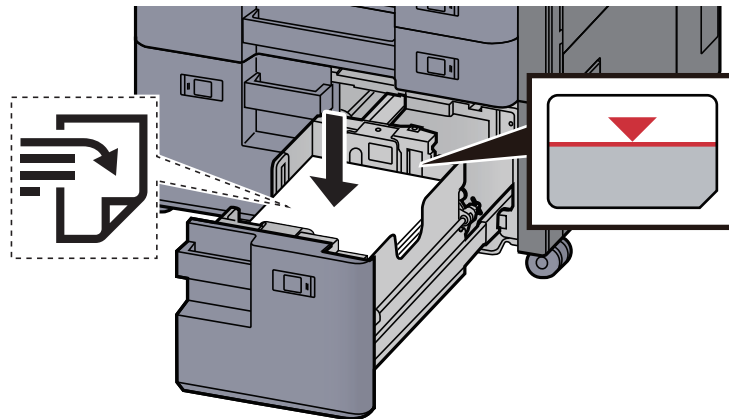
Loading in the Large Capacity Feeder

The procedures here represent the cassette 3.

1 Pull the cassette completely out of the machine.



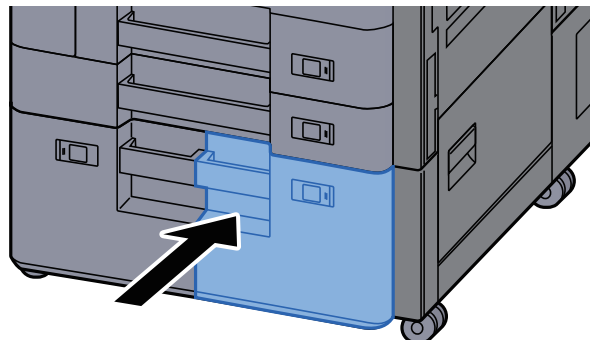
2 Load paper.



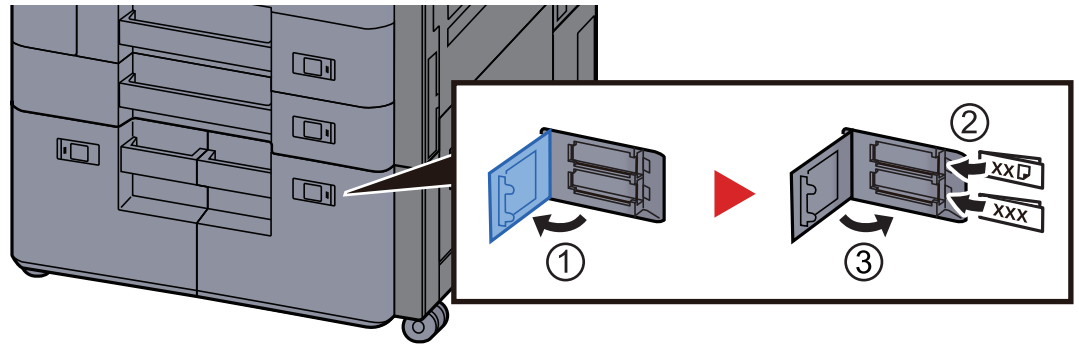
✔ IMPORTANT

- Load the paper with the print side facing up.
- After removing new paper from its packaging, fan the paper before loading it in the cassette.
→ [Precaution for Loading Paper \(page 3-2\)](#)
- Before loading the paper, be sure that it is not curled or folded. Paper that is curled or folded may cause paper jams.
- Ensure that the loaded paper does not exceed the level indicator.

3 Gently push the cassette back in.



4 Insert the indication on the sheet so as to match the size and type of paper to be placed.



5 Display the screen.

[System Menu/Counter] > [Cassette/MP Tray Settings] > "Cassette 3" [Next] > "Media Type" [Change]

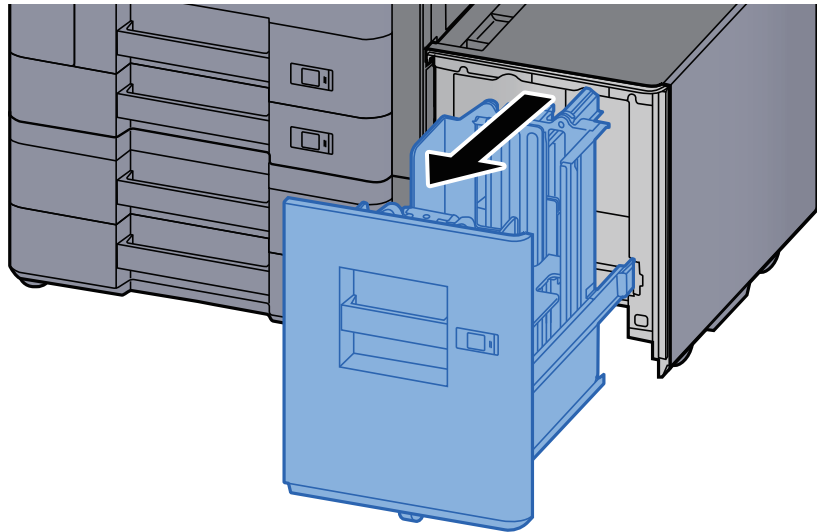
6 Configure the function.

Select the paper type.

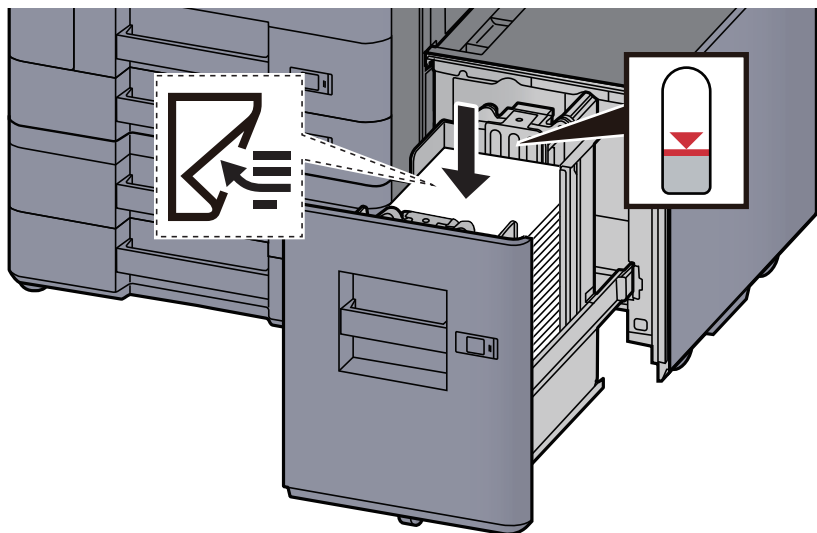
➔ [Cassette 1 \(to 5\) \(page 8-6\)](#)

Loading in the Side Feeder

- 1 Pull the cassette completely out of the machine.**



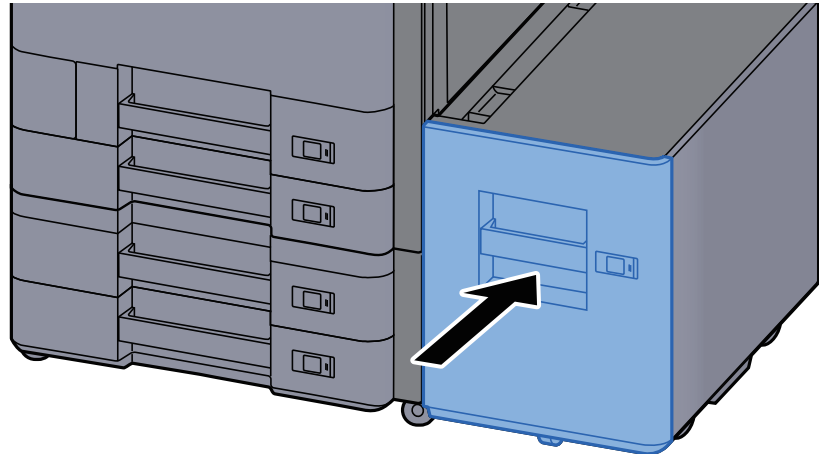
- 2 Load paper.**



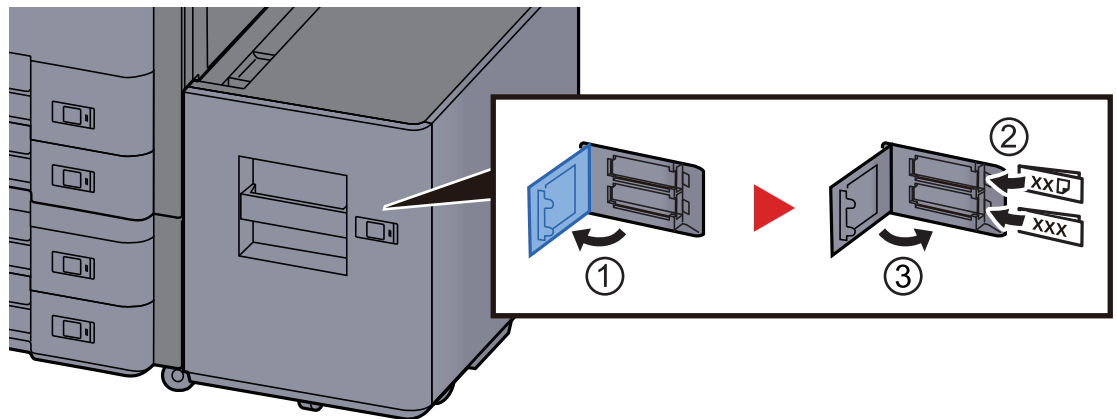
✔ **IMPORTANT**

- Load the paper with the print side facing down.
- After removing new paper from its packaging, fan the paper before loading it in the cassette.
 - ➔ [Precaution for Loading Paper \(page 3-2\)](#)
- Before loading the paper, be sure that it is not curled or folded. Paper that is curled or folded may cause paper jams.
- Ensure that the loaded paper does not exceed the level indicator.

3 Gently push the cassette back in.



4 Insert the indication on the sheet so as to match the size and type of paper to be placed.



5 Display the screen.

[System Menu/Counter] > [Cassette/MP Tray Settings] > "Cassette 5" [Next] > "Media Type" [Change]

6 Configure the function.

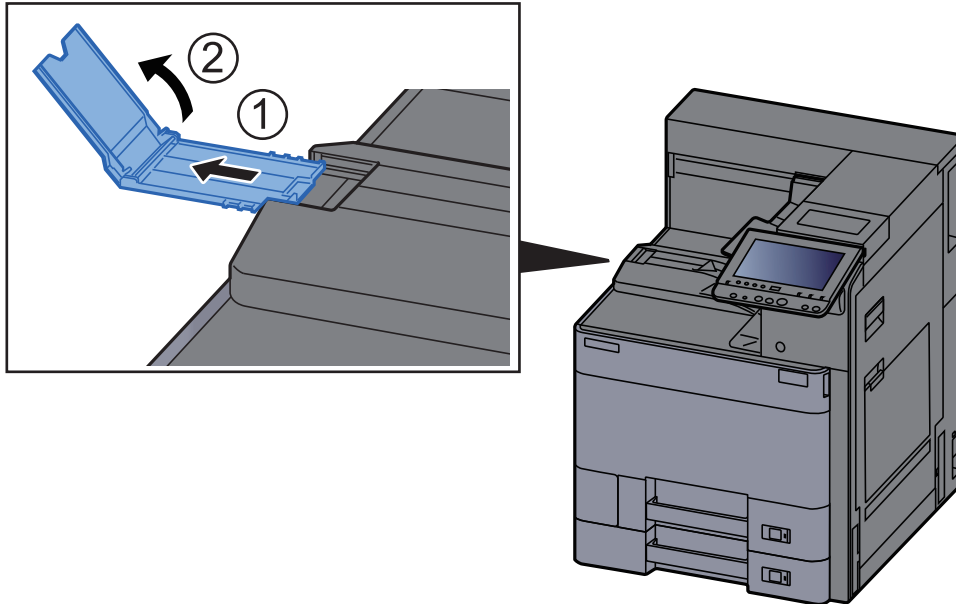
Select the paper type.

➔ [Cassette 1 \(to 5\) \(page 8-6\)](#)

Precautions for Outputting Paper

Paper Stopper

When using paper A3/Ledger or larger, open the paper stopper shown in the figure.

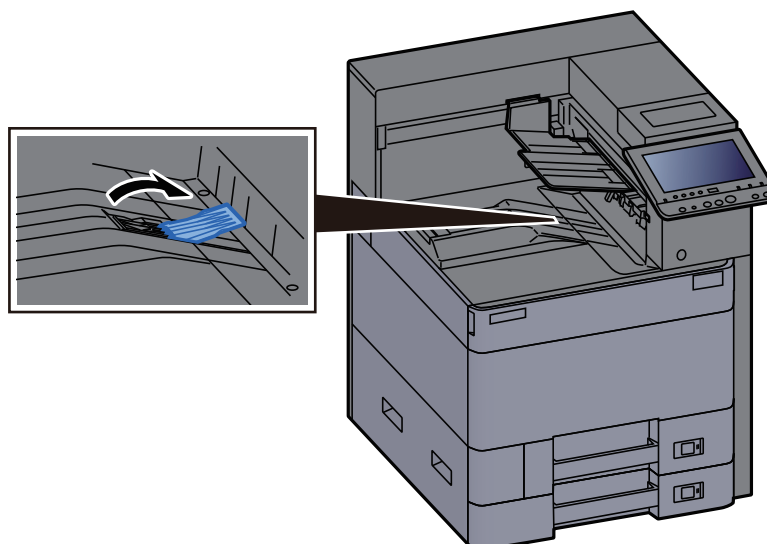


NOTE

When using the Job Separator for output, you can if needed open the paper stopper on the Job Separator.

Envelope Stack Guide

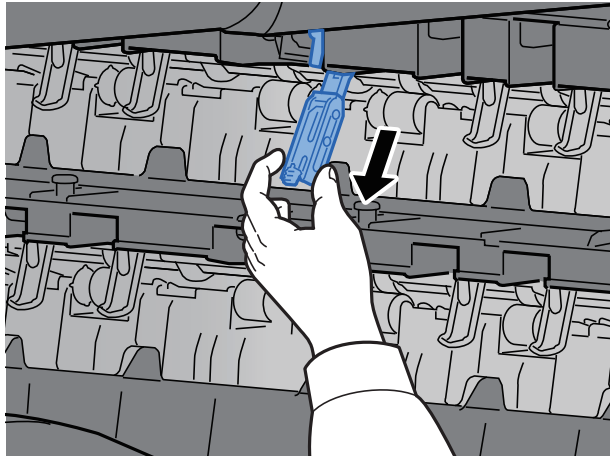
To use an envelope, open the Envelope Stack Guide as shown below.



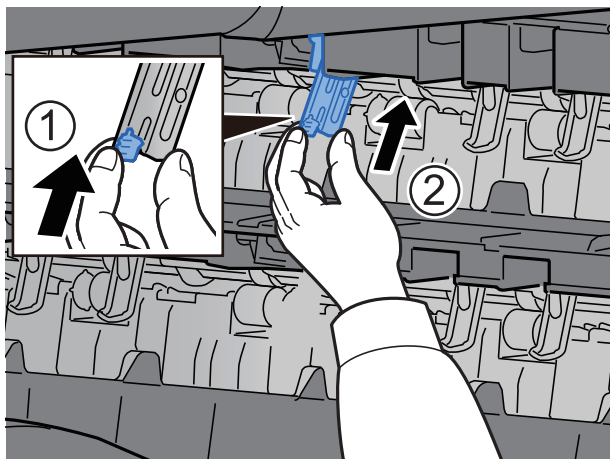
Stack Level Adjuster

If the paper output to the Job Separator is significantly curled, you can extend the Stack Level Adjuster as described in the figure.

Extending the Stack Level Adjuster



Restoring the Stack Level Adjuster



4 Printing from PC

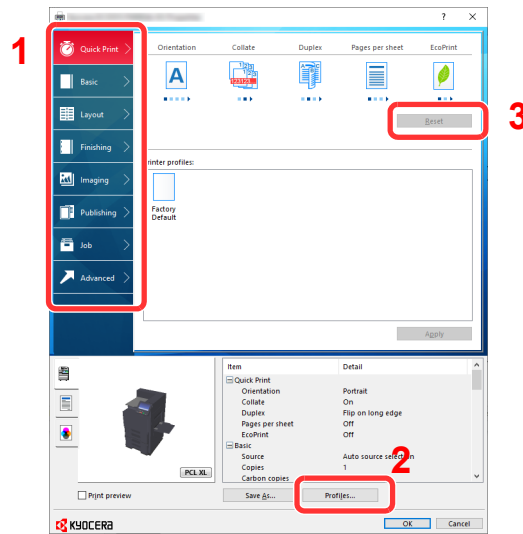
This chapter explains the following topics:

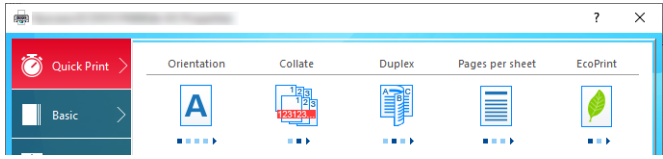
Printer Driver Properties Screen	4-2
Displaying the Printer Driver Help	4-3
Changing the Default Printer Driver Settings (Windows 8.1)	4-3
Printing from PC	4-4
Printing on Standard Sized Paper	4-4
Printing on Non-standard Sized Paper	4-6
Banner Printing	4-9
Canceling Printing from a Computer	4-15
Printing from the Handheld Device	4-16
Printing by AirPrint	4-16
Printing by Google Cloud Print	4-16
Printing by Mopria	4-16
Printing with Wi-Fi Direct	4-16
Printing with NFC	4-17
Printing Data Saved in the Printer	4-18
Specifying the Job Box from a Computer and Storing the Job	4-18
Printing Documents from Private Print Box	4-19
Deleting the Documents Stored in the Private Print Box	4-19
Printing Document from Stored Job Box	4-20
Deleting the Documents Stored in the Stored Job Box	4-20
Printing Document from Quick Copy Box	4-21
Deleting the Documents Stored in the Quick Copy Box	4-21
Printing Document from Proof and Hold Box	4-22
Deleting the Documents Stored in the Proof and Hold Box	4-22
Monitoring the Printer Status (Status Monitor)	4-23
Accessing the Status Monitor	4-23
Exiting the Status Monitor	4-23
Quick View State	4-23
Printing Progress Tab	4-24
Paper Tray Status Tab	4-24
Toner Status Tab	4-24
Alert Tab	4-25
Status Monitor Context Menu	4-25
Status Monitor Notification Settings	4-26

Printer Driver Properties Screen

The printer driver properties screen allows you to configure a variety of print-related settings.

➔ **Printer Driver User Guide**

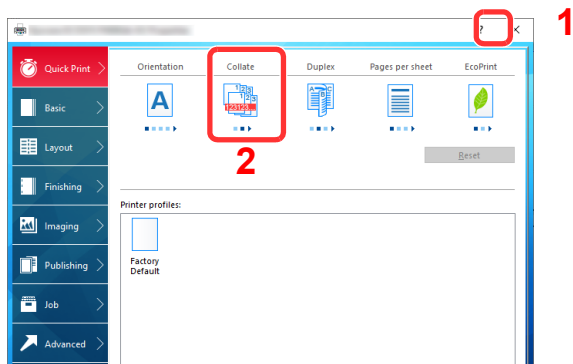


No.	Description
1	<p>[Quick Print] tab Provides icons that can be used to easily configure frequently used functions. Each time you click an icon, it changes to an image resembling the print results and applies the settings.</p>  <p>[Basic] tab This tab groups basic functions that are frequently used. You can use it to configure the paper size, destination, and duplex printing.</p> <p>[Layout] tab This tab lets you configure settings for printing various layouts, including booklet printing, combine mode, poster printing, and scaling.</p> <p>[Finishing] tab This tab lets you configure settings related to finishing of printed media, including binding and stapling.</p> <p>[Imaging] tab This tab lets you configure settings related to the quality of the print results.</p> <p>[Publishing] tab This tab lets you create covers and inserts for print jobs and put inserts between sheets of OHP film.</p> <p>[Job] tab This tab lets you configure settings for saving print data from the computer to the machine. Regularly used documents and other data can be saved to the machine for easy printing later. Since saved documents can be printed directly from the machine, this function is also convenient when you wish to print a document that you don't want others to see.</p> <p>[Advanced] tab This tab lets you configure settings for adding text pages or watermarks to print data.</p>

No.	Description
2	[Profiles] Printer driver settings can be saved as a profile. Saved profiles can be recalled at any time, so it's a convenient practice to save frequently used settings.
3	[Reset] Click to revert settings to their initial values.

Displaying the Printer Driver Help

The printer driver includes Help. To learn about print settings, open the printer driver print settings screen and display Help as explained below.



- 1 Click the [?] button in the upper right corner of the screen.
- 2 Click the item you want to know about.

NOTE

The Help appears, even when you click the item you want to know about and press the [F1] key on your keyboard.

Changing the Default Printer Driver Settings (Windows 8.1)

The default printer driver settings can be changed. By selecting frequently used settings, you can omit steps when printing. For the settings, refer to the following:

➔ Printer Driver User Guide

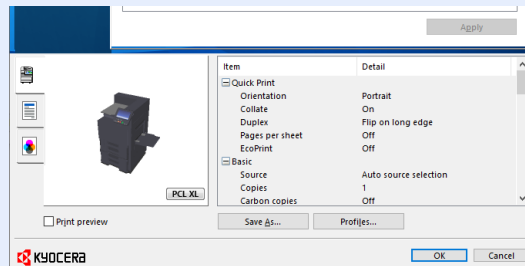
- 1 In charms on Desktop, click [Settings], [Control Panel], and then [View devices and printers].**
- 2 Right-click the printer driver icon of the machine, and click the [Printer properties] menu of the printer driver.**
- 3 Click the [Preferences] button on the [General] tab.**
- 4 Select the default settings and click the [OK] button.**

Printing from PC

This section provides the printing method using the KX DRIVER.

NOTE

- To print the document from applications, install the printer driver on your computer from the supplied DVD (Product Library).
- Depending on the resolution of the display in use, the current settings are displayed at the bottom of the printer driver.



- When printing the cardstock or envelopes, load the cardstock or envelopes in the multipurpose tray before performing the following procedure.

➔ [Loading Paper in the Multipurpose Tray \(page 5-2\)](#)

Printing on Standard Sized Paper

If you loaded a paper size that is included in the print sizes of the machine, select the paper size in the **[Basic]** tab of the print settings screen of the printer driver.

NOTE

Specify the paper size and media type to print from the operation panel.

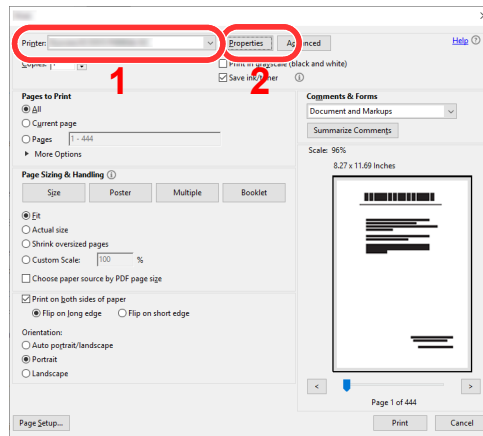
➔ [Cassette/MP Tray Settings \(page 8-6\)](#)

1 Display the screen.

Click **[File]** and select **[Print]** in the application.

2 Configure the settings.

- 1 Select the machine from the "Printer" menu and click the [**Properties**] button.

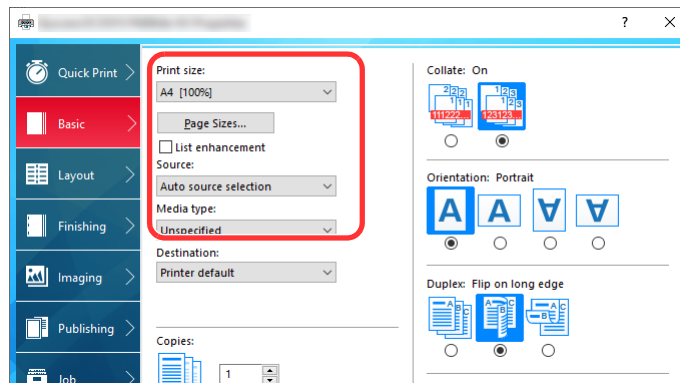


- 2 Select the [**Basic**] tab.
- 3 Click "Print size" menu and select the paper size to use for printing.

To load the paper of size that is not included in print sizes of the machine such as cardstock or envelopes, the paper size needs to be registered.

➔ [Printing on Non-standard Sized Paper \(page 4-6\)](#)

To print on the special paper such as thick paper or transparency, click "Media type" menu and select the media type.



- 4 Click [**OK**] button to return to the Print dialog box.

3 Start printing.

Click the [**OK**] button.

Printing on Non-standard Sized Paper

If you loaded a paper size that is not included in the print sizes of the machine, register the paper size in the [Basic] tab of the print settings screen of the printer driver.

The registered size can be selected from the "Print size" menu.

NOTE

To execute printing at the machine, set the paper size and type in the following:

➔ [Paper Settings \(page 8-10\)](#)

1 Display the screen.

- 1 In charms on Desktop, click [Settings], [Control Panel], and then [View devices and printers].

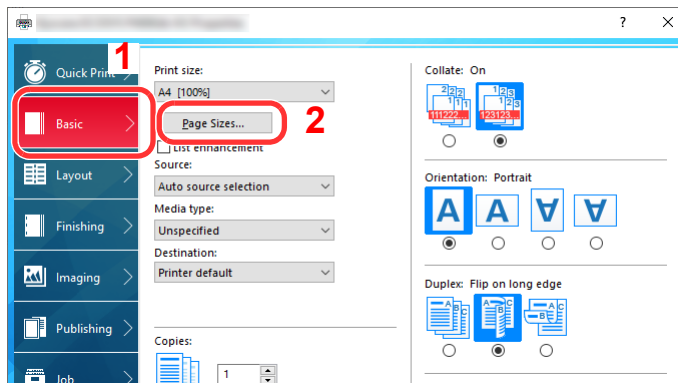
NOTE

In Windows 7, click [Start] button on the Windows, and then click [View devices and printers].

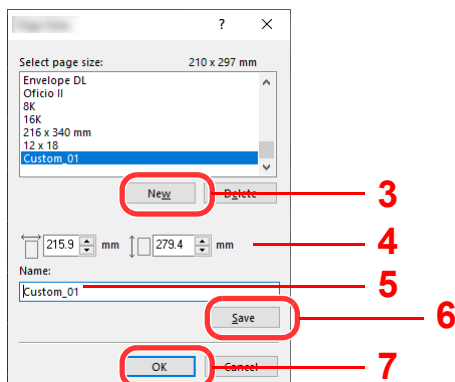
- 2 Right-click the printer driver icon of the machine, and click the [Printer properties] menu of the printer driver.
- 3 Click the [Preferences] button on the [General] tab.

2 Register the paper size.

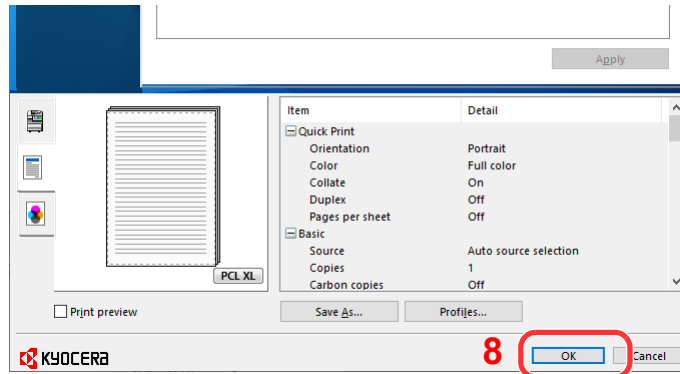
- 1 Click the [Basic] tab.



- 2 Click the [Page Sizes...] button.
- 3 Click the [New] button.



- 4 Enter the paper size.
- 5 Enter the name of the paper.
- 6 Click the **[Save]** button.
- 7 Click the **[OK]** button.
- 8 Click the **[OK]** button.

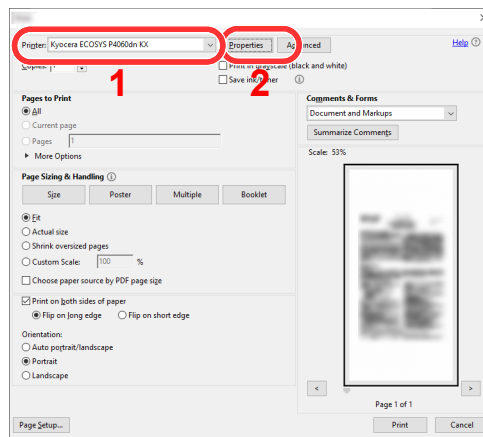


3 Display the print settings screen.

Click **[File]** and select **[Print]** in the application.

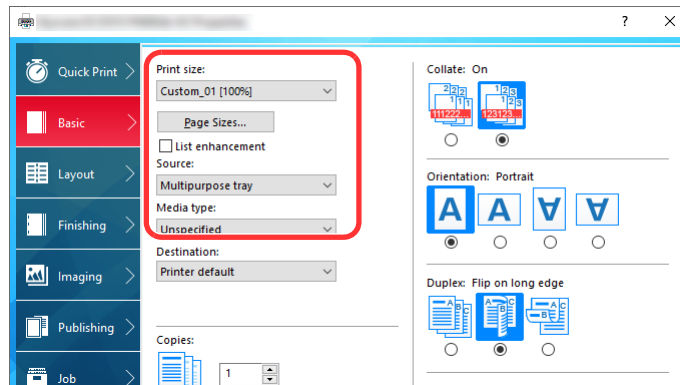
4 Select the paper size and type of non-standard size paper.

- 1 Select the machine from the "Printer" menu and click the **[Properties]** button.




- 2 Select the **[Basic]** tab.

- 3 Click "Print size" menu and select the paper size registered in step 2.



To print on the special paper such as thick paper or transparency, click "Media type" menu and select the media type.

 **NOTE**

If you loaded a postcard or envelope, select [**Cardstock**] or [**Envelope**] in the "Media type" menu.

- 4 Select the paper source in the "Source" menu.
- 5 Click [**OK**] button to return to the Print dialog box.

5 Start printing.

Click the [**OK**] button.

Banner Printing

When a document length from 470.1 mm (18.5") to a maximum of 1,220.0 mm (48") is specified for printing, the print job is treated as banner printing.

Max. number of sheets	1 sheet (manual feed), 10 sheets (when optional banner tray is attached ^{*1})
Paper width	210 mm to 304.8 mm (8.26" to 12")
Paper length	470.1 mm to 1,220 mm (18.5" to 48")
Paper weight	136 to 163 g/m ²
Media type	Heavy 2

*1 When the banner tray (option) is used, up to 10 sheets of banner paper can be fed continuously For details, refer to the follows:

➔ [Using the Banner Tray \(Option\) \(page 4-12\)](#)

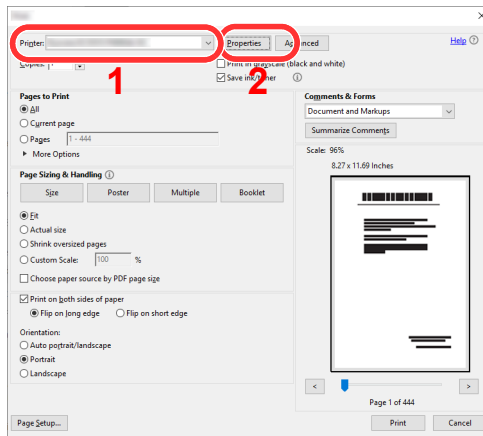
Using the Multipurpose Tray

1 Display the screen.

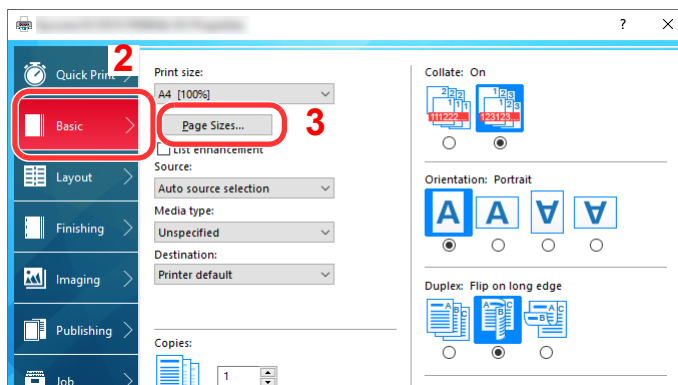
Click [File] and select [Print] in the application.

2 Configure the settings.

1 Select the machine from the "Printer" menu and click the [Properties] button.

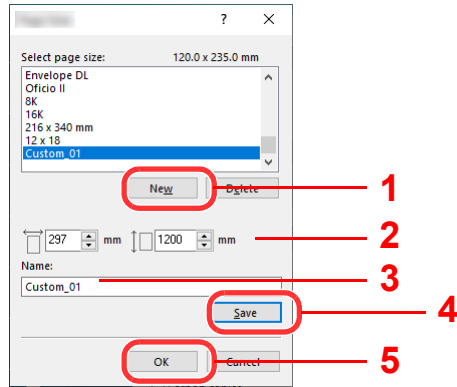


2 Select the [Basic] tab.



3 Click the [Page Sizes...] button.

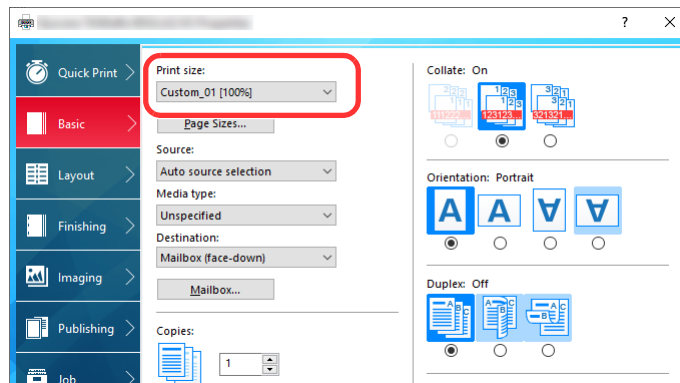
3 Register the paper size.



- 1 Click the **[New]** button.
- 2 Enter the length (470.1 mm (18.51") or longer), and width of the custom paper size being registered.
- 3 Enter the name of the paper.
- 4 Click the **[Save]** button.
- 5 Click the **[OK]** button.

4 Configure the print paper size.

- 1 Click "Print size" menu and select the paper size registered in step 3.



- 2 Click the **[OK]** button.

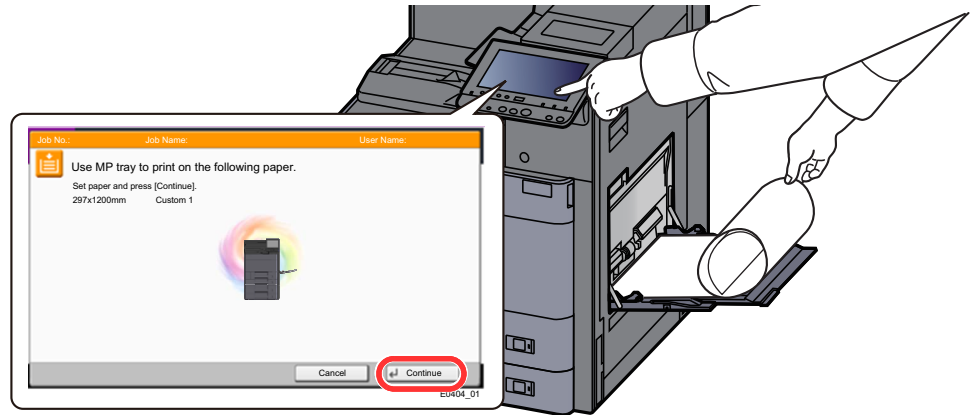
NOTE

When banner printing, a resolution of 600 dpi is set.

5 Start printing.

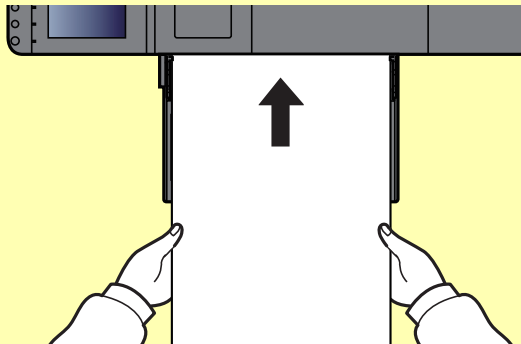
Click the [OK] button.

When you execute printing in this case, a message appears on the machine's operation panel. Place the paper in the Multipurpose tray, continue to support it so that it does not fall, and select [Continue]. To cancel printing, select [Cancel].

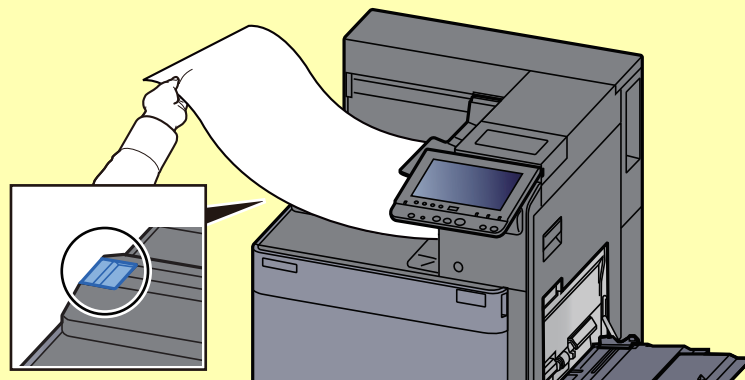


✔ IMPORTANT

- If an output tray that cannot be used for banner printing such as Mailbox (option) is selected in the printer driver, the output tray automatically changes to a tray that can be used.
- After pressing [Continue], support the paper with both hands so that it feeds in correctly.



- After printing starts, catch the paper when it is output so that it does not fall. When using the main tray as the output location, do not stand up the stopper.



Set whether the confirmation screen appears before each sheet is printed when printing multiple banner sheets.

➔ [Message Banner Print \(page 8-20\)](#)

Using the Banner Tray (Option)

When the banner tray (option) is used, up to 10 sheets of banner paper can be fed continuously.

The operation procedure for setting the banner paper by using the printer driver is the same as that of using the multipurpose tray.

➔ [Using the Multipurpose Tray \(page 4-9\)](#)

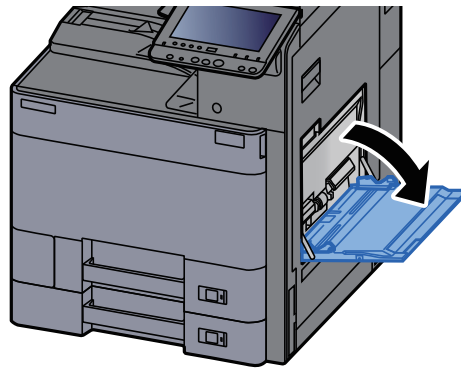
NOTE

The paper length supported in banner tray is 470.1 mm to 1,220 mm (18.5" to 48").

1 Open the multipurpose tray.

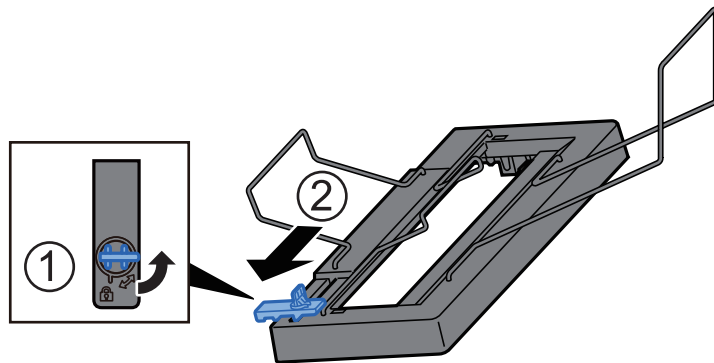
Open the multipurpose tray until it stops.

Do not extend the support tray section of the multipurpose tray.

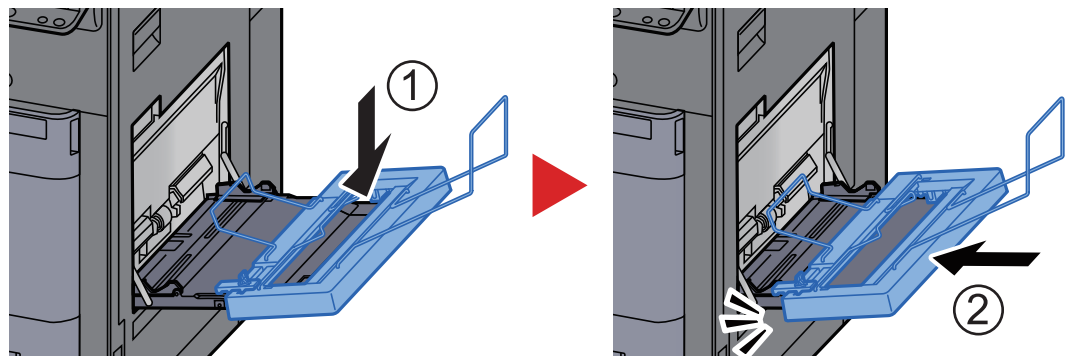


2 Attach the banner tray.

1 Release the paper width guide lock on the banner tray and open to the maximum width.

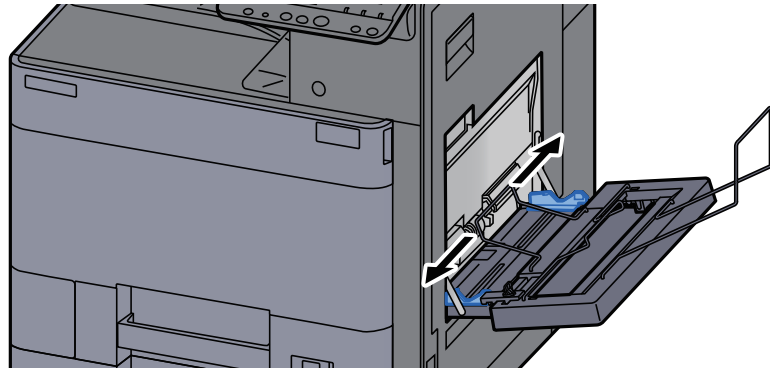


2 Attach the banner tray to the multipurpose tray.



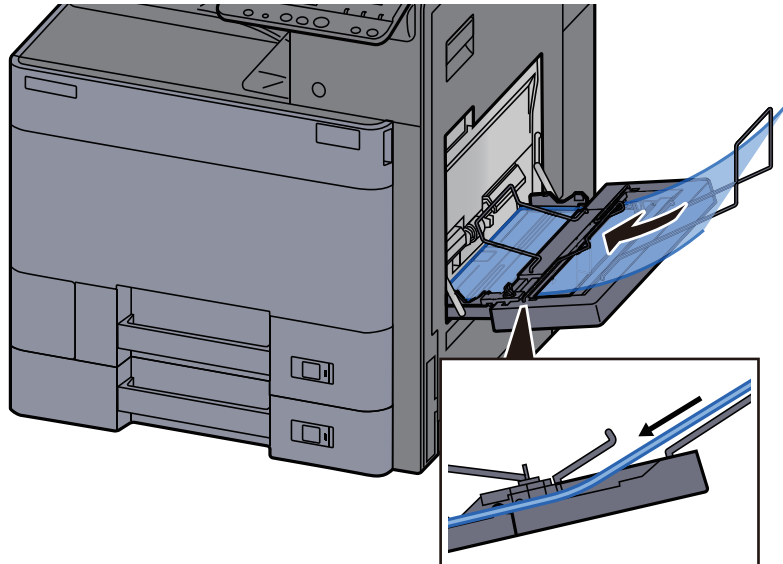
3 Load paper.

- 1 Open the paper width guides on the multipurpose tray to the maximum width.

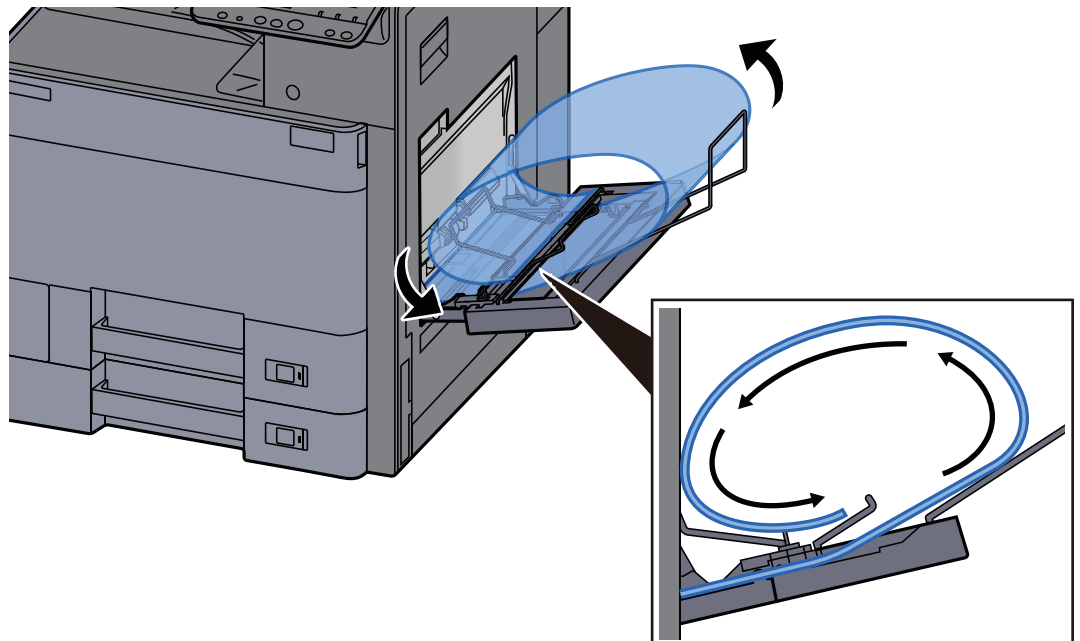


Make sure that the banner tray is attached so that the paper width guides on the banner tray are outside the paper width guides on the multipurpose tray.

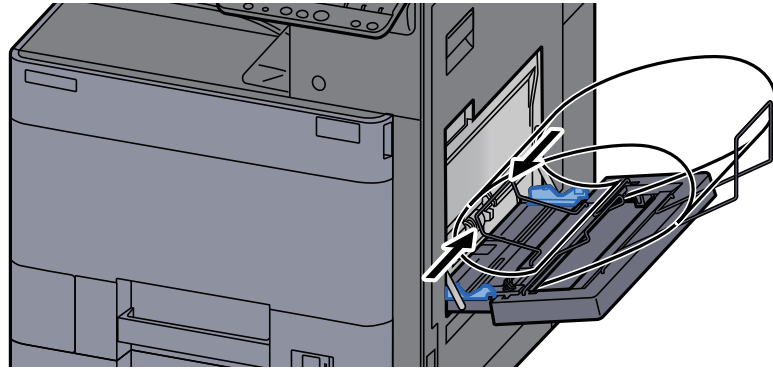
- 2 Load banner paper so that it passes under the paper clamp bar.



- 3 Loop the banner paper back and place the end on the paper support.



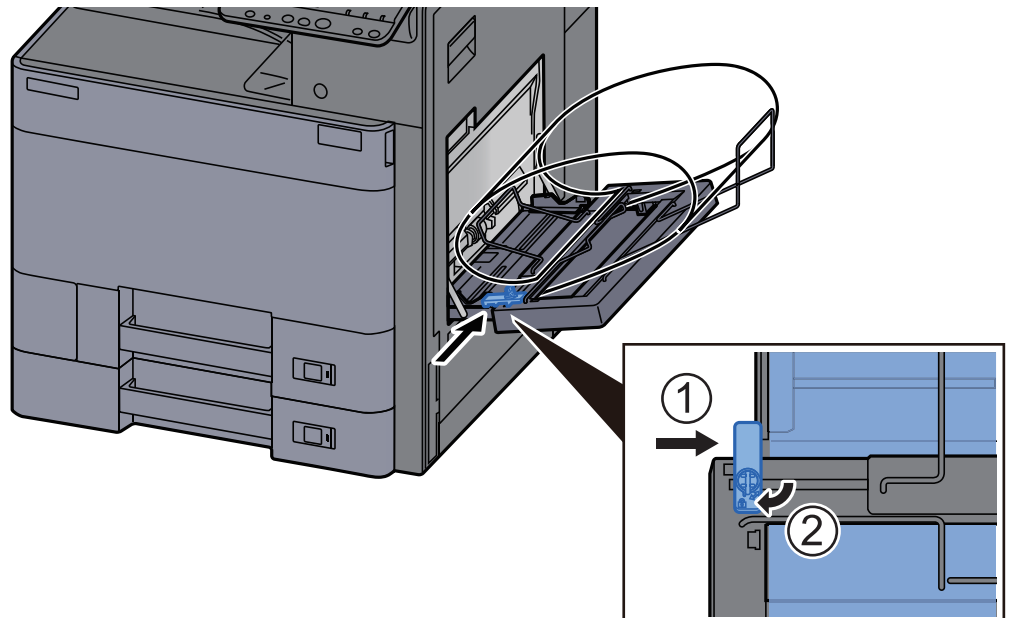
- 4 Adjust the paper width guides to the width of the paper.



✔ **IMPORTANT**

If there is a gap between the paper and the paper width guides, readjust the guides to fit the paper in order to prevent skewed feeding and paper jams.

- 5 Adjust the paper width guides on the banner tray to the same width as the paper width guides on the multipurpose tray and lock.



✔ **IMPORTANT**

Remove the paper when banner printing finishes, or when you are not using the banner tray.

 **NOTE**

The print confirmation screen can be set in System Menu to not appear when the banner tray is attached. This will allow continuous printing on multiple sheets. Refer to the follows:

➔ [Message Banner Print \(page 8-20\)](#)

Canceling Printing from a Computer


To cancel a print job executed using the printer driver before the printer begins printing, do the following:



NOTE

When canceling printing from this machine, refer to the following:

➔ [Canceling Jobs \(page 5-14\)](#)

- 1 Double-click the printer icon () displayed on the taskbar at the bottom right of the Windows desktop to display a dialog box for the printer.**
- 2 Click the file for which you wish to cancel printing and select [Cancel] from the "Document" menu.**

Printing from the Handheld Device

This machine supports the AirPrint, Google Cloud Print and Mopria. According to the supported OS and application, you can print the job from any handheld device or computer without installing a printer driver.

Printing by AirPrint

AirPrint is a printing function that is included standard in iOS 4.2 and later products, and Mac OS X 10.7 and later products.

To use the AirPrint, make sure that the AirPrint setting is enabled in the Command Center RX.

➔ **Command Center RX User Guide**



Printing by Google Cloud Print

Google Cloud Print is a printing service provided by Google. This service enables a user with a Google account to print from a machine connected to the Internet.

The machine can be configured in the Command Center RX.

➔ **Command Center RX User Guide**



NOTE

A Google account is necessary to use Google Cloud Print. Obtain a Google account if you do not have one. It is also necessary to register the machine with the Google Cloud Print service in advance. The machine can be registered from a PC connected to the same network.

Printing by Mopria

Mopria is a standard on printing function included in Android 4.4 or later products.

Mopria Print Service needs to be installed and enabled in advance.

For details on how to use, refer to a Web site of Mopria Alliance.



Printing with Wi-Fi Direct

Wi-Fi Direct is a wireless LAN standard that Wi-Fi Alliance has been established. This is one of the functions of the wireless LAN, without a wireless LAN access point or wireless LAN router, between devices can communicate directly on a peer to peer basis.

The printing procedure by the Wi-Fi Direct is the same as that from the normal handheld devices.

When you use a printer name or Bonjour name on the port settings of the printer property, you can print the job by specifying the name at Wi-Fi Direct connection.

When you use an IP address for the port, specify the IP address of this machine.

Printing with NFC

When the Wi-Fi and Wi-Fi Direct has been configured in advance, the network between this machine and handheld device will be configured by simply tapping an NFC tag.

- ➔ [Configuring the Wireless Network \(page 2-27\)](#)
- ➔ [Setting Wi-Fi Direct \(page 2-31\)](#)

Printing Data Saved in the Printer

You can save the print job into the Job Box of this device and print it as necessary.

If you configure settings in the [**Job**] tab of the printer driver and then print, the print job will be saved in the Job Box (memory) and printing can be executed at the machine.

Follow the work flow below when using Job Box.

Specifying the Job Box from a computer and sending the print job. ([page 4-18](#))



Using the operation panel to specify a file within a Box and printing it.

You can print the documents from the following boxes.

- ➔ [Printing Documents from Private Print Box \(page 4-19\)](#)
- ➔ [Printing Document from Stored Job Box \(page 4-20\)](#)
- ➔ [Printing Document from Quick Copy Box \(page 4-21\)](#)
- ➔ [Printing Document from Proof and Hold Box \(page 4-22\)](#)

Specifying the Job Box from a Computer and Storing the Job

1 Click [File] and select [Print] in the application.

The Print dialog box displays.

2 Select the machine from the "Name" menu.

3 Click the [Properties] button.

The Properties dialog box displays.

4 Click the [Job] tab and select the [Job storage (e-MPS)] check box to set the function.



NOTE

For information on how to use the printer driver software, refer to the following:

- ➔ **Printer Driver User Guide**

Printing Documents from Private Print Box

In Private Printing, you can specify that a job is not to be printed until you operate the machine. When sending the job from the application software, specify a 4-digit access code in the printer driver. The job is released for printing by entering the access code on the operation panel, ensuring confidentiality of the print job. The data will be deleted upon completion of the print job or after the power switch is turned off.

1 Display the screen.

- 1 [Home] key > [Job Box]
- 2 [Private Print/Stored Job] > [Open]
- 3 Select the creator of the document > [Open]

2 Print the document.

- 1 Select the document to print > [Print]
- 2 Enter the access code.
- 3 Specify the number of copies to print as desired.
- 4 Select [Start Print].

Printing starts.

Upon completion of printing, the Private Print job is automatically deleted.

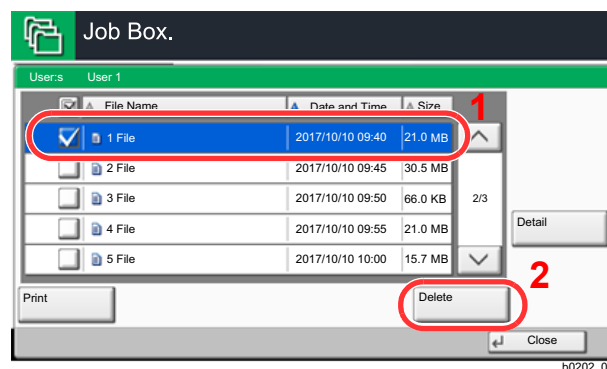
Deleting the Documents Stored in the Private Print Box

1 Display the screen.

- 1 [Home] key > [Job Box]
- 2 [Private Print/Stored Job] > [Open]
- 3 Select the creator of the document > [Open]

2 Delete the document.

Select the document to delete > [Delete] > Enter the access code



The document is deleted.

Printing Document from Stored Job Box

In Stored Job, the print data sent from the application is saved to the machine. You can set up an access code as necessary. If you set up an access code, enter the access code when printing. Print data will be stored in the Stored Job Box after printing. This will allow printing of the same print data repeatedly.

1 Display the screen.

- 1 [Home] key > [Job Box]
- 2 [Private Print/Stored Job] > [Open]
- 3 Select the creator of the document > [Open]

2 Print the document.

- 1 Select the document to print > [Print]
- 2 Specify the number of copies to print as desired.
- 3 Select [Start Print].

Printing starts.



NOTE

If the document is protected by an access code, the password entry screen will be displayed. Enter the password using the numeric keys.

Deleting the Documents Stored in the Stored Job Box

1 Display the screen.

- 1 [Home] key > [Job Box]
- 2 [Private Print/Stored Job] > [Open]
- 3 Select the creator of the document > [Open]

2 Delete the document.

- 1 Select the document to delete > [Delete]
- 2 If the document is protected by an access code, enter the code.
The document is deleted.

Printing Document from Quick Copy Box

Quick Copy feature facilitates additional prints of a document already printed. Activating Quick Copy and printing a document using the printer driver allow the print data to be stored in the Quick Copy Job Box. When additional copies are required, you can reprint the required number of copies from the touch panel. By default, up to 32 documents can be stored. When power is turned off, all stored jobs will be deleted.

NOTE

- When the number of jobs reaches the limit, the oldest job will be overwritten by the new one.
- To maintain free space on the box, you can set the maximum number of stored jobs.
➔ [Quick Copy Job Retention \(page 8-22\)](#)

1 Display the screen.

- 1** [Home] key > [Job Box]
- 2** [Quick Copy/Proof and Hold] > [Open]
- 3** Select the creator of the document > [Open]

2 Print the document.

- 1** Select the document to print > [Print]
- 2** Specify the number of copies to print as desired.
- 3** Select [Start Print].
Printing starts.

Deleting the Documents Stored in the Quick Copy Box

1 Display the screen.

- 1** [Home] key > [Job Box]
- 2** [Quick Copy/Proof and Hold] > [Open]
- 3** Select the creator of the document > [Open]

2 Delete the document.

- Select the document to delete > [Delete] > [Yes]
The document is deleted.

Printing Document from Proof and Hold Box

The Proof and Hold feature produces only a single proof print of multiple-print job and holds printing of the remaining copies. Printing a multiple-print job in Proof and Hold using the printer driver allows only a single copy to be printed while maintaining the document data in the Job Box. To continue to print the remaining copies, use the touch panel. You can change the number of copies to print.

1 Display the screen.

- 1 [Home] key > [Job Box]
- 2 [Quick Copy/Proof and Hold] > [Open]
- 3 Select the creator of the document > [Open]

2 Print the document.

- 1 Select the document to print > [Print]
- 2 Specify the number of copies to print as desired.
- 3 Select [Start Print].
Printing starts.

Deleting the Documents Stored in the Proof and Hold Box

1 Display the screen.

- 1 [Home] key > [Job Box]
- 2 [Quick Copy/Proof and Hold] > [Open]
- 3 Select the creator of the document > [Open]

2 Delete the document.

- Select the document to delete > [Delete] > [Yes]
The document is deleted.

Monitoring the Printer Status (Status Monitor)

The Status Monitor monitors the printer status and provides an ongoing reporting function.

NOTE

When you activate Status Monitor, check the status below.

- KX DRIVER is installed.
 - Either [Enhanced WSD] or [Enhanced WSD(SSL)] is enabled.
- ➔ [Network \(page 8-30\)](#)

Accessing the Status Monitor

The Status Monitor also starts up when printing is started.

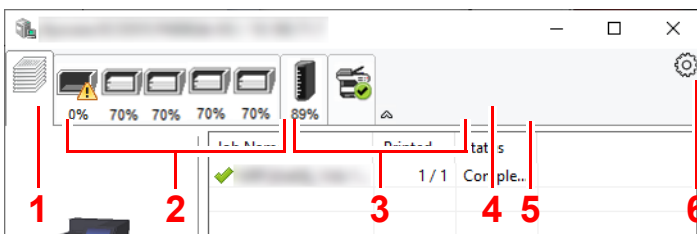
Exiting the Status Monitor

Use either of the methods listed below to exit the Status Monitor.

- Exit manually:
Click the settings icon and select Exit in the menu to exit the Status Monitor.
- Exit automatically:
The Status Monitor automatically shuts down after 7 minutes if it is not being used.

Quick View State

The status of the printer is displayed using icons. Detailed information is displayed when the Expand button is clicked.

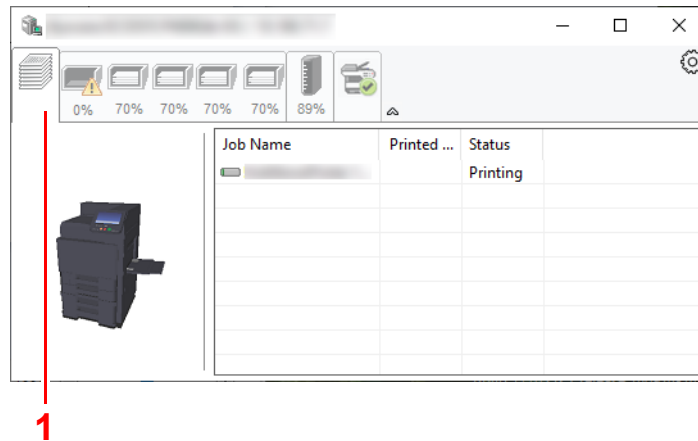


- 1 Printing progress tab
- 2 Paper tray status tab
- 3 Toner status tab
- 4 Alert tab
- 5 Expand button
- 6 Settings icon

Detailed information is displayed by clicking on each icon tab.

Printing Progress Tab

The status of the print jobs is displayed.

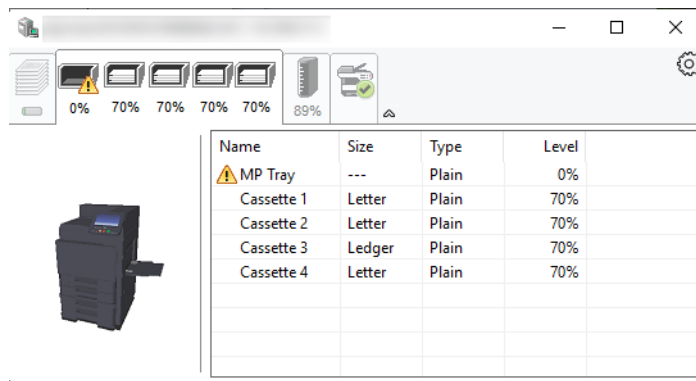


- 1 Status icon
- 2 Job list

Select a job on the job list and it can be canceled using the menu displayed with a right-click.

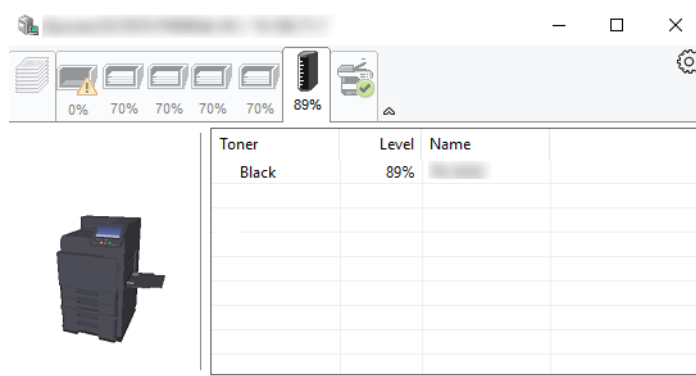
Paper Tray Status Tab

Information is displayed about the paper in the printer and about the amount of paper remaining.



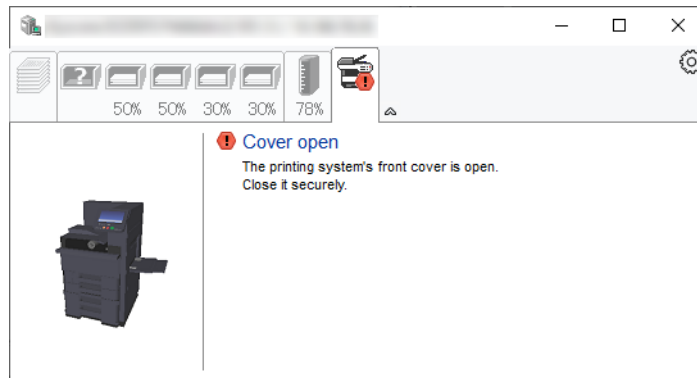
Toner Status Tab

The amount of toner remaining is displayed.



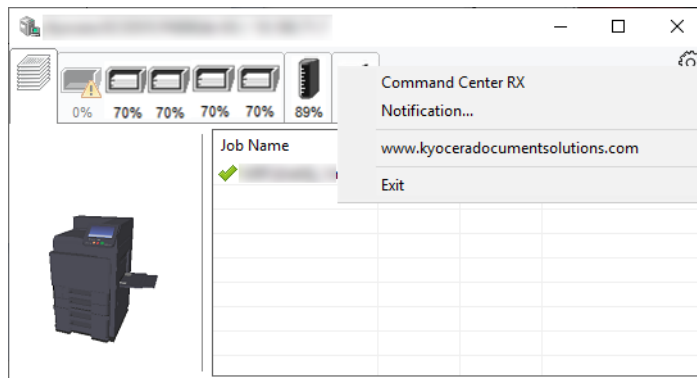
Alert Tab

If an error occurs, a notice is displayed using a 3D image and a message.



Status Monitor Context Menu

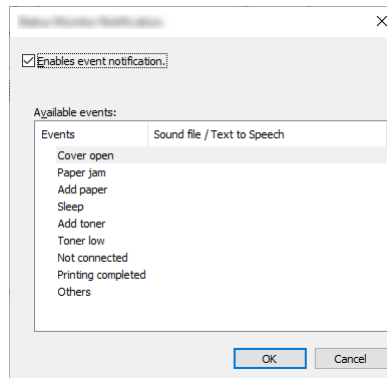
The following menu is displayed when the settings icon is clicked.



- **Command Center RX**
If the printer is connected to a TCP/IP network and has its own IP address, use a web browser to access the Command Center RX to modify or confirm the network settings. This menu is not displayed when using USB connection.
➔ **Command Center RX User Guide**
- **Notification...**
This sets the display of the Status Monitor.
➔ [Status Monitor Notification Settings \(page 4-26\)](#)
- **www.kyoceradocumentsolutions.com**
Open our website.
- **Exit**
Exits the Status Monitor.

Status Monitor Notification Settings

The Status Monitor settings and event list details are displayed.



Select whether notification is performed when an error in the event list occurs.

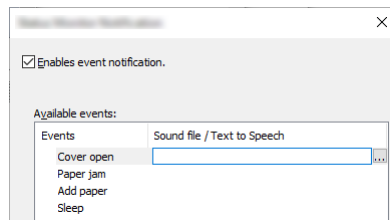
1 Select Enable event notification.

If this setting is set to Off, then the Status Monitor will not start up even when printing is executed.

2 Select an event to use with the text to speech function in Available events.

3 Click Sound file / Text to Speech column.

Click the browse (...) button to notify the event by sound file.



NOTE

The available file format is WAV.

When customizing the message texts to read on the screen aloud, enter the texts in the text box.

5 Operation on the Machine

This chapter explains the following topics:

Loading Paper in the Multipurpose Tray	5-2
Program	5-6
Registering Programs	5-6
Recalling Programs	5-7
Editing Programs	5-7
Deleting Programs	5-8
Application	5-9
Installing Applications	5-9
Activating Applications	5-10
Deactivating Applications	5-11
Uninstalling Applications	5-11
Registering Shortcuts	5-12
Adding Shortcuts	5-12
Editing Shortcuts	5-13
Deleting Shortcuts	5-13
Canceling Jobs	5-14
Using Document Boxes	5-15
What is Custom Box?	5-15
What is Job Box?	5-15
What is Removable Memory Box?	5-15
Basic Operation for Document Box	5-16
Creating a New Custom Box	5-21
Editing Custom Box	5-22
Deleting Custom Box	5-23
Storing Documents to a Custom Box	5-23
Printing Documents in Custom Box	5-24
Moving Documents in Custom Box	5-25
Deleting Documents in Custom Box	5-25
Operating using Removable USB Memory	5-26
Printing Documents Stored in Removable USB Memory	5-26
Check the USB Memory Information	5-27
Removing USB Memory	5-27
Using the Internet Browser	5-28
Launching and Exiting the Browser	5-28
Using the Browser Screen	5-29
Manual Staple	5-30

Loading Paper in the Multipurpose Tray

For details of the supported paper sizes, refer to the following:

➔ [Choosing the Appropriate Paper \(page 11-13\)](#)

For the paper type setting, refer to the following:

➔ [Media Type Setting \(page 8-12\)](#)

Be sure to use the multipurpose tray when you print on any special paper.

✔ IMPORTANT

- If you are using a paper weight of 106 g/m² or more, set the media type to Thick and set the weight of the paper you are using.
- Remove each transparency from the main tray as it is printed. Leaving transparencies in the main tray may cause a paper jam.

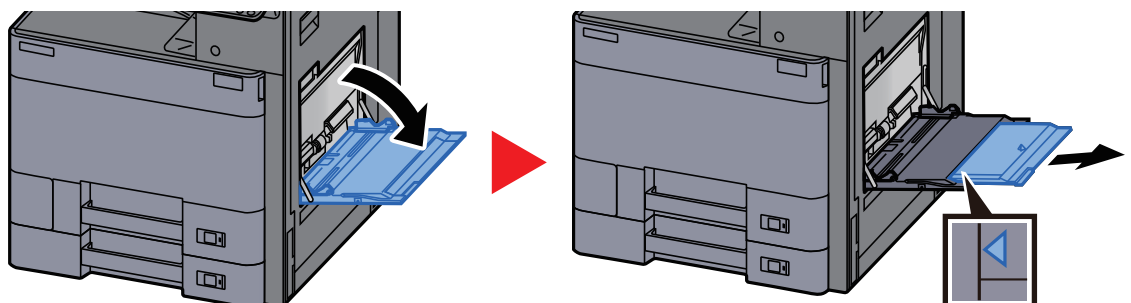
The capacity of the multipurpose tray is as follows.

- A4 or smaller plain paper (80 g/m²), recycled paper or color paper: 150 sheets
- B4 or larger plain paper (80 g/m²), recycled paper or color paper: 50 sheets
- Thick paper (209 g/m²): 10 sheets
- Thick paper (157 g/m²): 50 sheets
- Thick paper (104.7 g/m²): 50 sheets
- Hagaki (Cardstock): 30 sheets
- Envelope DL, Envelope C5, Envelope #10, Envelope #9, Envelope #6 3/4, Envelope Monarch, Youkei 4, Youkei 2: 10 sheets
- OHP film: 10 sheet
- Coated: 10 sheets
- Banner paper: 470.1 mm (18.51") to a maximum of 1220.0 mm (48"): 1 sheet (manual feed), 10 sheets (when optional banner tray is attached)
- Index tab dividers: 15 sheets

💡 NOTE

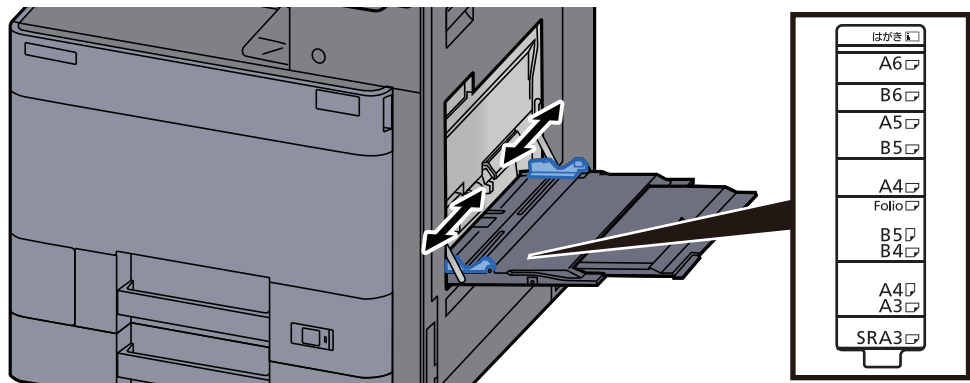
- When you load custom size paper, enter the paper size by referring to the following:
 - ➔ [Paper Settings \(page 8-10\)](#)
- When you use special paper such as transparencies or thick paper, select the media type by referring to the following:
 - ➔ [MP Tray Setting \(page 8-7\)](#)
- Paper size can be automatically detected and selected, refer to the following:
 - ➔ [Paper Selection \(page 6-5\)](#)
 - ➔ [MP Tray Setting \(page 8-7\)](#)

1 Open the multipurpose tray.



2 Adjust the multipurpose tray size.

Paper sizes are marked on the multipurpose tray.



3 Load paper.



Insert the paper along the paper width guides into the tray until it stops.

After removing new paper from its packaging, fan the paper before loading it in the multipurpose tray.

➔ [Precaution for Loading Paper \(page 3-2\)](#)

✔ IMPORTANT

- When loading the paper, keep the print side facing down.
- Curled paper must be uncurled before use.
- When loading paper into the multipurpose tray, check that there is no paper left over in the tray from a previous job before loading the paper. If there is just a small amount of paper left over in the multipurpose tray and you want to add more, first remove the left-over paper from the tray and include it with the new paper before loading the paper back into the tray.
- If there is a gap between the paper and the paper width guides, readjust the guides to fit the paper in order to prevent skewed feeding and paper jams.
- Ensure that the loaded paper does not exceed the load limits.

4 Specify the type of paper loaded in the multipurpose tray using the operation panel.

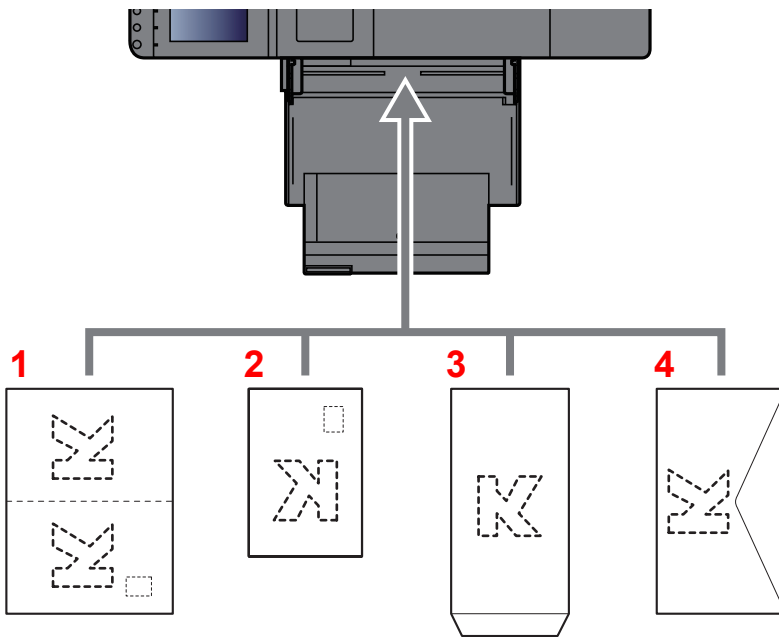
➔ [MP Tray Setting \(page 8-7\)](#)

Loading Envelopes or Cardstock in the Multipurpose Tray

Load the paper with the print side facing down. For the procedure for printing, refer to the following:

➔ Printer Driver User Guide

Example: When printing the address.



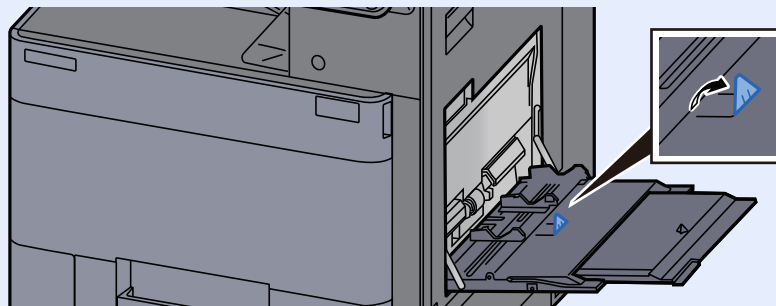
- 1 Oufuku hagaki (Return postcard)
- 2 Hagaki (Cardstocks)
- 3 Portrait form envelopes (Open the flap)
- 4 Landscape form envelopes (Close the flap)

✔ IMPORTANT

- Use unfolded Oufuku hagaki (Return postcard).
- How to load envelopes (orientation and facing) will differ depending on the type of envelope. Be sure to load it in correctly, otherwise printing may be done in the wrong direction or on the wrong face.

💡 NOTE

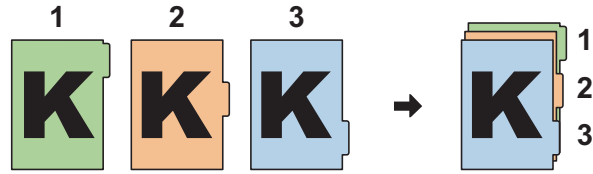
- When you load envelopes in the multipurpose tray, select the envelope type by referring to the following:
➔ [Cassette/MP Tray Settings \(page 8-6\)](#)
- When you load cardstocks or A6 paper in the multipurpose tray, open the stopper as shown below.



Loading Index Paper in the Multipurpose Tray

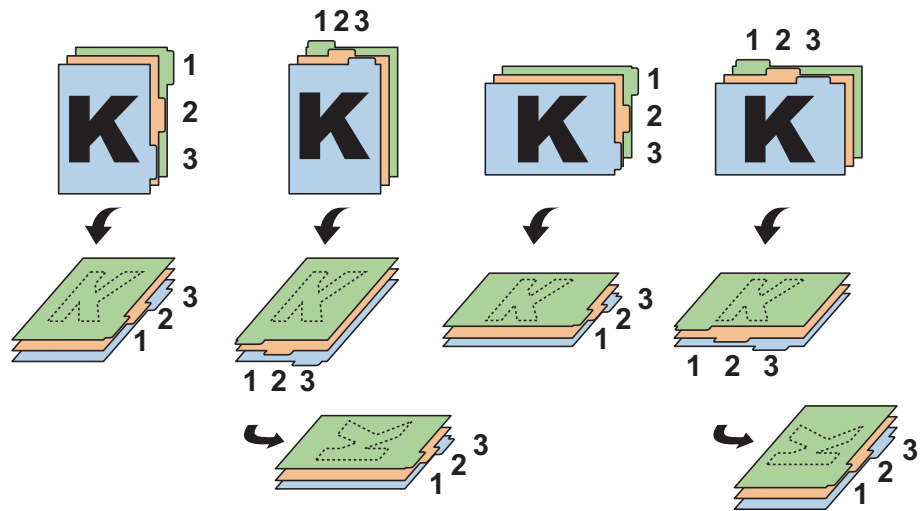
1 Prepare paper.

Sort the pages so that the 1st page is at the back.



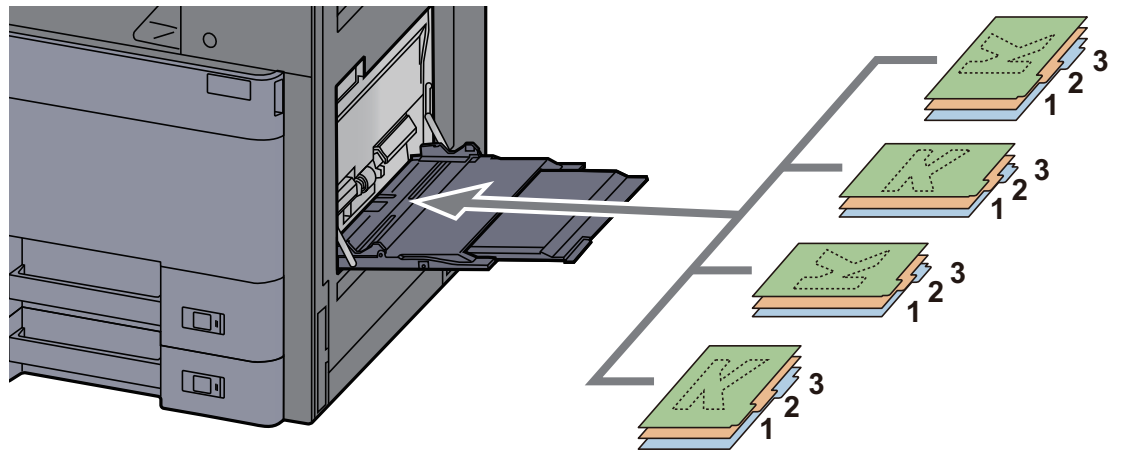
2 Orient the paper in the same orientation.

Place the paper print side down, oriented so that the tabs are on the trailing side of the paper when it feeds in.



3 Load paper.

Load paper in the tray.



For the procedure for printing, refer to the following:

➔ Printer Driver User Guide

Index paper must meet the following conditions.

Item	Description	Item	Description
Paper size	A4/Letter	Number of tabs	1 to 15
Paper weight	136 to 256 g/m ²	Length of tabs	30 mm or less

Program

By registering sets of frequently used functions as a single program, you can simply press the program number as needed to recall those functions. You can also name the programs for easy identification when recalling.

NOTE

- Up to 50 functions combining printing can be registered in the program.
- If user login administration is enabled, you can only register functions by logging in with administrator privileges.

Registering Programs

The following procedure is an example of registering the printing a document stored in a Custom Box.

1 Display the screen.

- 1 [Home] key > [Custom Box]
- 2 Select the box containing the document you want to print.

NOTE

If a custom box is protected by a password, enter the correct password.

- 3 Select [Open].
- 4 Select the document in the list that you want to print by selecting the checkbox.
The document is marked with a checkmark.

NOTE

To deselect, select the checkbox again and remove the checkmark.

- 5 Select [Print].
- 6 Select the [Program] tab while paper selection, duplex printing, etc. are set.

2 Register the program.

- 1 [Add] > Select a number (01 to 50) for the program number > [Next]

NOTE

If you select a program number already registered, the currently registered functions can be replaced with a new set of functions.

- 2 Enter the new program name > [Save]
The program is registered.
To display a registered program on the Home screen, select [Yes] on the confirmation screen that appears, proceed to step 2-3.
- 3 Specify the position in which you want to display the icon of registered program.
- 4 Select [Save].

Recalling Programs

1 Recall the program.

- 1 Select **[Program]** in the Home screen, or the key of the registered program.

Selecting the key of the registered program will recall the program. If you selected **[Program]**, proceed to step 1-2.

- 2 Select the key for the program number you want to recall.

Select **[No.]** or the Quick No. Search key on the numeric keypad to enter the program number (01 to 50) directly for recalling.



NOTE

- If the program cannot be recalled, the Document Box or the form overlay specified in the program might have been deleted. Check the Document Box.
- If the function for printing documents in the Custom Box is registered, the screen for selecting a document appears. Select a document and then select **[OK]**.

2 Execute the program.

Press the **[Start]** key



NOTE

[Program] can be pressed in each function to call up the program registered for the function.

Editing Programs

You can change program number and program name.

1 Display the screen.

- 1 **[Home]** key > **[Program]**
- 2 Select **[Edit]**.

2 Edit the program.

- 1 Select the key(s) corresponding to the program number (01 to 50) to change.
- 2 Select **[Edit]** to change the program number and program name.
 - ➔ [Registering Programs \(page 5-6\)](#)
- 3 **[Save]** > **[Yes]**

Deleting Programs

1 Display the screen.

1 [Home] key > [Program]

2 Select [Edit].

2 Delete the program.

1 Select the key(s) corresponding to the program number (01 to 50) to delete.

2 [Delete] > [Yes]

Application

The functionality of the machine can be expanded by installing applications.

Applications that help you perform your daily more efficiently such as an authentication feature are available.

For details, consult your sales representative or dealer.

Installing Applications

To use applications, first install the application in the machine and then activate the application.

NOTE

You can install applications and certificates on the machine. The number of applications you can run may vary according to the type of application.

1 Display the screen.

[System Menu/Counter] key > [Application]

NOTE

- If the user authentication screen appears, enter your login user name and login password and select [Login]. For this, you need to login with administrator privileges. The factory default login user name and login password are set as shown below.

Login User Name: 6000

Login Password: 6000

- Select [Print Report] to print an application report.

2 Install the application.

1 [Add] > [OK]

2 Insert the removable memory containing the application to be installed into the USB Memory Slot.

NOTE

When the message "Removable Memory was recognized. Displaying files. Are you sure?" is displayed, select [No].

3 Select the application to be installed > [Install]

You can view detailed information on the selected application by selecting [Detail].

4 Select [Yes].

Installation of the application begins. Depending on the application being installed, the installation may take some time.

Once the installation ends, the original screen reappears.

NOTE

- To install another application, repeat steps 2-3 and 2-4.
- To remove the removable memory, select [Remove Memory] and wait until the message "Removable Memory can be safely removed." appears. Then remove the removable memory.

Activating Applications

1 Display the screen.

[System Menu/Counter] key > [Application]



NOTE

If the user authentication screen appears, enter your login user name and login password and select [Login]. For this, you need to login with administrator privileges. The factory default login user name and login password are set as shown below.

Login User Name: 6000

Login Password: 6000

2 Activate the application.

1 Select the desired application > [Activate]

You can view detailed information on the selected application by selecting [Detail].

2 Enter the license key > [Official]

Some applications do not require you to enter a license key. If the license key entry screen does not appear, go to step 3-3. To use the application as a trial, select [Trial] without entering the license key.

3 Select [Yes].



IMPORTANT

- If you change the date/time while using the trial version of an application, you will no longer be able to use the application.
- Icons of activated application are displayed in the Home screen.

3 Select the application icon in the Home screen.

Select the application icon.

The application will start up.

Deactivating Applications

1 Display the screen.

[System Menu/Counter] key > [Application]



NOTE

If the user authentication screen appears, enter your login user name and login password and select [Login]. For this, you need to login with administrator privileges. The factory default login user name and login password are set as shown below.

Login User Name: 6000

Login Password: 6000

2 Deactivate the application.

Select the desired application to exit > [Deactivate]



NOTE

Select [x] on the screen if you want to exit the already activated application.

The procedure for exiting some applications may differ.

Uninstalling Applications

1 Display the screen.

[System Menu/Counter] key > [Application]



NOTE

If the user authentication screen appears, enter your login user name and login password and select [Login]. For this, you need to login with administrator privileges. The factory default login user name and login password are set as shown below.

Login User Name: 6000

Login Password: 6000

2 Deactivate the application.

1 Select the application you want to delete > [Delete]

You can view detailed information on the selected application by selecting [Detail].

2 Select [Yes].

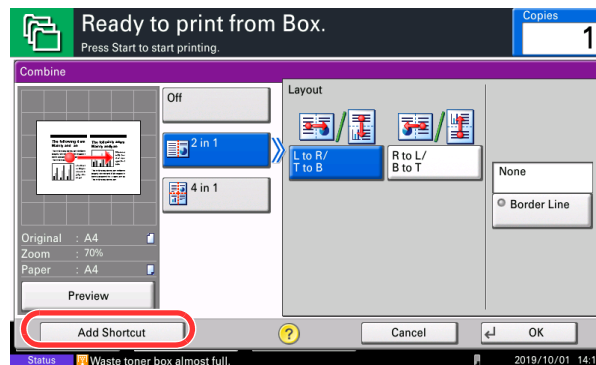
Registering Shortcuts

You can register shortcuts in the Quick Setup screen for easy access to the frequently used functions. The settings for the selected function can also be registered. A function name linked to a registered shortcut can be changed as necessary.

Adding Shortcuts

Shortcut registration is performed in the setup screen of each function. Shortcuts can be registered for all functions in which **[Add Shortcut]** appears on the screen.

- 1 In each function, display the configuration screen you want to register.**
- 2 Register the shortcuts.**
 - 1 Select the setting you want to add.
 - 2 Select **[Add Shortcut]**.

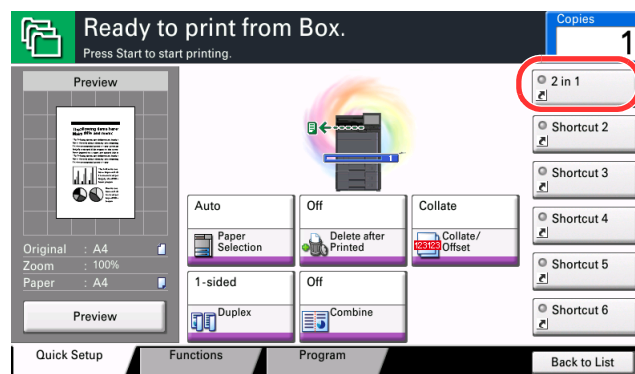


- 3 Select the keys corresponding to the shortcut number (1 to 6) to register.**

NOTE

If you select a shortcut number already registered, the currently registered shortcut can be replaced with a new one.

- 4 Enter the shortcut name > [Save].**



The shortcut is registered.

Editing Shortcuts

- 1 In the setup screen of each function, select [Add Shortcut] in the bottom of the screen.**
- 2 Edit the shortcut.**
 - 1 Select [Edit].
 - 2 Select the shortcut key you want to edit.
 - 3 Select "Shortcut No" [Change] or "Shortcut Name" [Change] > Change the settings > [OK].
 - 4 [Save] > [Yes]

Deleting Shortcuts

- 1 In the setup screen of each function, select [Add Shortcut] in the bottom of the screen.**
- 2 Delete the shortcut.**
 - 1 Select [Edit].
 - 2 Select the shortcut key you want to delete > [Delete this Shortcut] > [Yes]

Canceling Jobs

1 Select the [Stop] key with the print screen displayed.

2 Cancel a job.

Canceling job screen appears. The current print job is temporarily interrupted.

Select the job you wish to cancel > **[Cancel]** > **[Yes]**

Using Document Boxes

Document Box is a function for saving print data from a computer and sharing it with multiple users.

The available Document Boxes are as follows: Custom Box, Job Box, and Removable Memory Box.

What is Custom Box?

Custom Box is a component box which you can create within the Document Box and store data for later retrieval. You can create or delete a Custom Box.

The following operations are possible:

- Creating a new Custom Box
- Printing Document in a Custom Box
- Editing Documents in a Custom Box
- Deleting Documents in a Custom Box



NOTE

The operation on Custom Box you perform from operation panel can also be made using Command Center RX.

➔ [Command Center RX User Guide](#)

What is Job Box?

Job Box is a generic name for the "Private Print/Stored Job Box" and "Quick Copy/Proof and Hold Box". These Job Boxes cannot be created or deleted by a user.



NOTE

- You can set up the machine so that temporary documents in job boxes are automatically deleted.
 - ➔ [Deletion of Job Retention \(page 8-22\)](#)
- For details on operating the "Private Print/Stored Job Box" and "Quick Copy/Proof and Hold Box", refer to the following:
 - ➔ [Printing Data Saved in the Printer \(page 4-18\)](#)

What is Removable Memory Box?

A USB memory stick can be connected to the USB memory slot on the machine to print a saved file. You can print data directly from the USB memory without a PC.

Basic Operation for Document Box

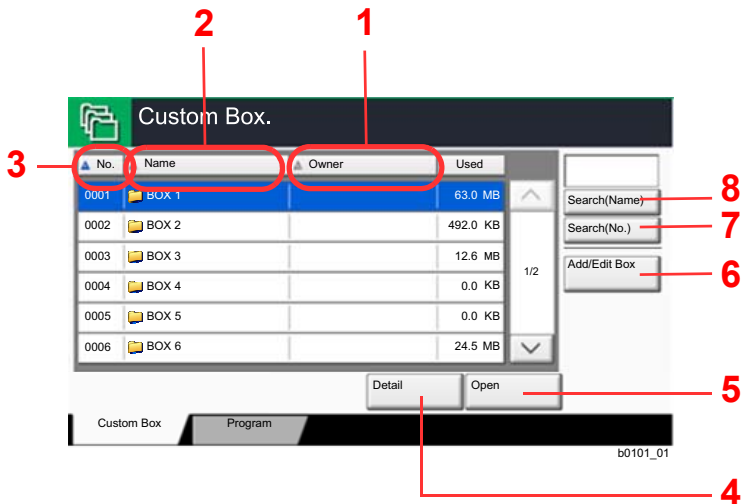
This section explains basic operations for document boxes, using examples where tasks are carried out with custom boxes.

NOTE

In the following explanation, it is assumed that user login administration is enabled. For details on User Logon privileges, refer to the following:

➔ [Editing Custom Box \(page 5-22\)](#)

Box List

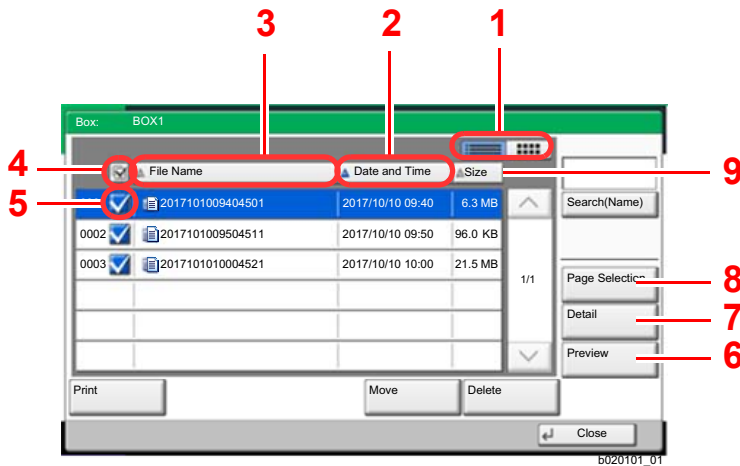


- 1 Listing the boxes by owner in alphabetical order.
- 2 Listing the boxes by name in alphabetical order.
- 3 Listing the boxes by number in ascending/ descending order.
- 4 Displays the details for the selected box.
- 5 Opens the selected box.
- 6 Registers new boxes and checks, modifies or deletes box information.
- 7 A box can be searched for by Box No.
- 8 A box can be searched for by Box Name.

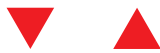
Document List

The document list is a list of the documents stored in the custom box. Documents can be listed either by name or as thumbnails. The list can be used as shown below.

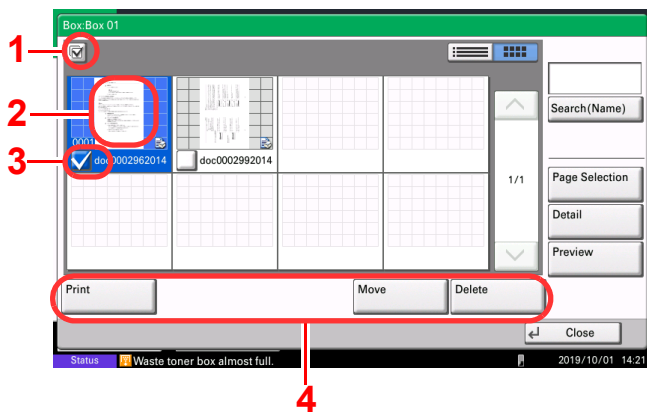
List



- 1 Switches between list display and thumbnail display.
- 2 Listing the documents by time of update in ascending/descending order.
- 3 Listing the documents by name in alphabetical order.
- 4 Selecting more than one document at a time.
- 5 Selecting documents by checking checkboxes.
- 6 Previews the selected document.
- 7 Select a document in the Document List and select [**Detail**] to display the details for the selected document.
- 8 Select a document in the Document List and select [**Page Selection**] to display the selected document.
- 9 Listing the documents by size in ascending/ descending order.



Thumbnail



- 1 Selecting more than one document at a time.
- 2 Highlighting a document to display its details with [**Detail**].
- 3 Selecting documents by checking checkboxes.
- 4 Prints, moves or deletes the selected documents.



NOTE

You can select multiple documents by pressing the respective document checkboxes.

Viewing Box Details

- 1 Select [Add/Edit Box] in the box list screen.**
- 2 Highlight the box whose box details you wish to check and select [Detail/Edit].**



NOTE

If a custom box is protected by a password, enter the correct password.

- 3 Check the box details.**
- 4 [Cancel] > [Close]**
The display returns to the default Document Box screen.

Editing Box Details

- 1 Select [Add/Edit Box] in the box list screen.**
- 2 Highlight the box whose box details you wish to check and select [Detail/Edit].**



NOTE

If a custom box is protected by a password, enter the correct password.

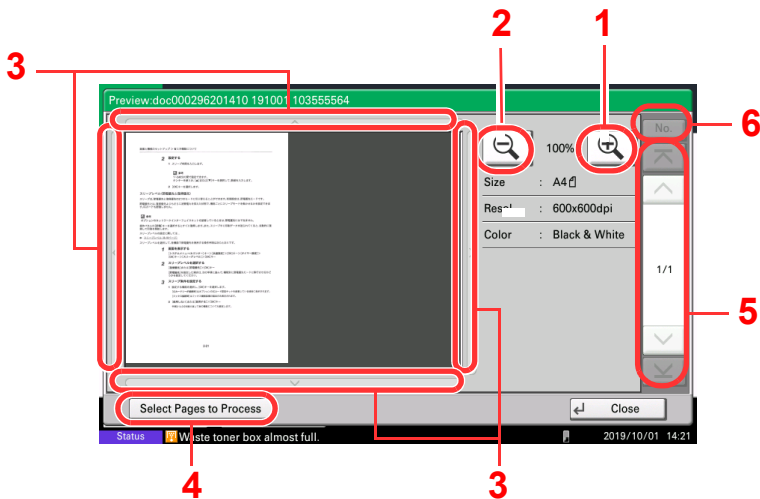
- 3 Check the box details.**
To edit details, select [Change] of the detail you wish to edit. Edit the detail as desired and select [OK].
- 4 If you have changed the details, select [Save] and then select [Yes] in the confirmation screen.**
If you do not change the details, select [No].
- 5 Select [Close].**
The display returns to the default Document Box screen.

Previewing Documents/Checking Document Details

1 Select (highlight) a document to preview and then select [Preview] or [Detail].

2 Preview the document or check the document details.

The operations available in the preview screen are shown below.



1 Zoom in.

2 Zoom out.

3 When you have zoomed in, you can use these keys to move the displayed area.

4 Press to select any page of the open document and print.

➔ [Selecting a page \(page 5-20\)](#)

5 In multiple-page documents, you can use these buttons to change pages.

6 In multiple-page documents, you can change pages by entering the desired page number.

When the Preview screen is displayed, you can do the following by moving the finger that is touching the touch panel.

Function	Description
Drag	With the finger touching the touch panel, slide the finger to move the position of the displayed preview.
Pinch in Pinch out	With two fingers touching the touch panel, widen or tighten the space between the two fingers to zoom in and out on the view.

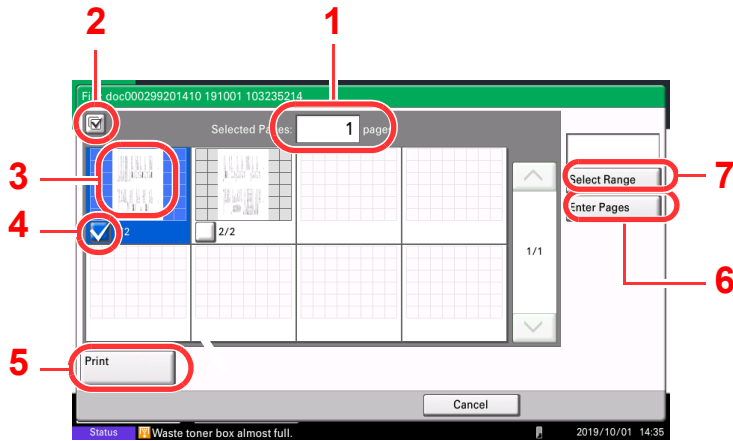
3 Confirm the document(s) and select [Close].

Selecting a page

When printing a document within a Custom Box, you can specify any pages at will.

Select [**Page Selection**] in the document list screen of the Custom Box, or [**Select Pages to Process**] in the Preview screen, to display the page selection screen.

Select the pages you want to work with, and select [**Print**].



- 1 Displaying the number of pages selected.
- 2 Selecting more than one document at a time.
- 3 Highlighting the selected document.
- 4 Selecting documents by checking checkboxes.
- 5 Selected pages can be printed.
- 6 You can specify the pages you want to select by selecting [**Enter Pages**].
- 7 You can specify a range of selection by selecting [**Select Range**].

➔ [Printing Documents in Custom Box \(page 5-24\)](#)

➔ [Moving Documents in Custom Box \(page 5-25\)](#)

Creating a New Custom Box

NOTE

- If user login administration is enabled, you can only change the settings by logging in with administrator privileges. The factory default login user name and login password are set as shown below.

Login User Name: 6000

Login Password: 6000

- If user login administration is enabled, log in with administrator privileges to perform the following operations. They cannot be performed with user privileges.
 - Creating a box
 - Deleting a box of which owner is another user.

1 Display the screen.

- [Home] key > [Custom Box] > [Add/Edit Box]

2 Register the Custom Box.

- [Add] > Enter the information for each item > [OK]

The table below lists the items to be set.

Item	Description
Box No.	Enter the box number by selecting [+], [-] or number keys. The box number can be from 0001 to 1000. A Custom Box should have a unique number. If you enter 0000, the smallest number available will be automatically assigned.
Owner*1	Set the owner of the box. Select the owner from the user list that appears.
Box Name	Enter a box name consisting of up to 32 characters. ➔ Character Entry Method (page 11-9)
Usage Restriction	The usage for a box can be restricted. To enable a capacity restriction enter a value for the storage capacity of the Custom Box in megabytes by selecting [-], [+] or number keys. You can enter a limit between 1 and 30,000 (MB).
Box Password	User access to the box can be restricted by specifying a password to protect the box. Entering a password is not mandatory. Enter the same password of up to 16 characters in both [Password] and [Confirm Password]. This can be set if [Shared] is selected in Permission.
Permission*2	Select whether to share the box.
Auto File Deletion	Automatically deletes stored documents after a set period of time. Select [On] to enable automatic deletion and then use [+] and [-] or the numeric keys to enter the number of days for which documents are stored. You can enter any number between 1 and 31 (day(s)). To disable automatic file deletion, select [Off].
Overwrite Setting	Specifies whether or not old stored documents are overwritten when new documents are stored. To overwrite old documents, select [Permit]. To retain old documents, select [Prohibit].

Item	Description
Free Space	Displays the free space on the box.
Delete after Printed	Automatically delete a document from the box once printing is complete. To delete the document, select [On] . To retain the document, select [Off] .

*1 Displayed when the user login administration is enabled.

*2 Not displayed when "Owner" is set to **[No Owner]**.

2 Select **[Add]**.

The Custom Box is created.

Editing Custom Box

1 **Display the screen.**

[Home] key > [Custom Box] > [Add/Edit Box]

2 **Edit the custom box.**

Select the box > **[Detail/Edit]** > Enter the information for each item > **[OK]**



NOTE

- When you have logged in as a user, you can only edit a box whose owner is set to that user.
- When you have logged in as administrator, you can edit all boxes.

When user login administration is enabled, the settings that can be changed varies depending on the privileges of the logged in user.

Privileges	Settings that can be changed
Administrator	Box No. Owner Box Name Usage Restriction Box Password Permission Auto File Deletion Overwrite Setting Delete after Printed
User	Box Name Box Password Permission Auto File Deletion Overwrite Setting Delete after Printed

➔ [Creating a New Custom Box \(page 5-21\)](#)

3 **[Save] > [Close]**

The display returns to the default Document Box screen.

Deleting Custom Box

1 Display the screen.

[Home] key > [Custom Box] > [Detail/Edit]

2 Delete the custom box.

Select the box > [Delete] > [Yes]



NOTE

- When you have logged in as a user, you can only delete a box whose owner is set to that user.
- When you have logged in as administrator, you can edit all boxes.

Storing Documents to a Custom Box

Custom box stores the print data which is sent from a PC. For the operation of the printing from the PC, refer to the following:

➔ [Printer Driver User Guide](#)

Printing Documents in Custom Box

1 Display the screen.

- 1 [Home] key > [Custom Box]
- 2 Select the box containing the document you want to print.



NOTE

If a custom box is protected by a password, enter the correct password.

- 3 Select [Open].

2 Print the document.

- 1 Select the document in the list that you want to print by selecting the checkbox.
The document is marked with a checkmark.



NOTE

To deselect, select the checkbox again and remove the checkmark.

- 2 Select [Print].
- 3 Set the paper selection, duplex printing, etc., as desired.

For the features that can be selected, refer to the following:

➔ [Custom Box \(page 6-2\)](#)



NOTE

Select the [Program] tab when registering or recalling programs.

➔ [Registering Programs \(page 5-6\)](#)

➔ [Recalling Programs \(page 5-7\)](#)

The print settings selection screen appears.

- To use the settings used at the time of printing (when the document was saved)
[Print As Is] > [Start Print]
Start printing.
- To change the print settings
[Print after Change Settings] > [Use File Settings] or [Do Not Use File Settings] > [Next] > Change the print settings

- 4 Press the [Start] key.
Printing of the selected document begins.

Moving Documents in Custom Box

1 Display the screen.

[Home] key > [Custom Box] > Select the box > [Open]



NOTE

If a custom box is protected by a password, enter the correct password.

2 Move the documents.

1 Select the document in the list that you want to move by selecting the checkbox.

The document is marked with a checkmark.



NOTE

To deselect, select the checkbox again and remove the checkmark.

2 [Move] > select the destination of move > [Move] > [Yes]

The selected document is moved.



NOTE

If the box to which the document is to be moved is protected by a password, enter the correct password.

Deleting Documents in Custom Box

1 Display the screen.

1 [Home] key > [Custom Box]

2 Select the box containing the document > [Open]



NOTE

If a custom box is protected by a password, enter the correct password.

2 Delete the document.

1 Select the document in the list that you want to delete by selecting the checkbox.

The document is marked with a checkmark.



NOTE

- [Delete] is disabled until a document is selected.
- To deselect, select the checkbox again and remove the checkmark.

2 [Delete] > [Yes]

The document is deleted.

Operating using Removable USB Memory

Plugging USB memory directly into the machine enables you to quickly and easily print the files stored in the USB memory without having to use a computer.

The following file types can be printed:

- PDF file (Version 1.7 or older)
- TIFF file (TIFF V6/TTN2 format)
- JPEG file
- XPS file
- OpenXPS file
- Encrypted PDF file

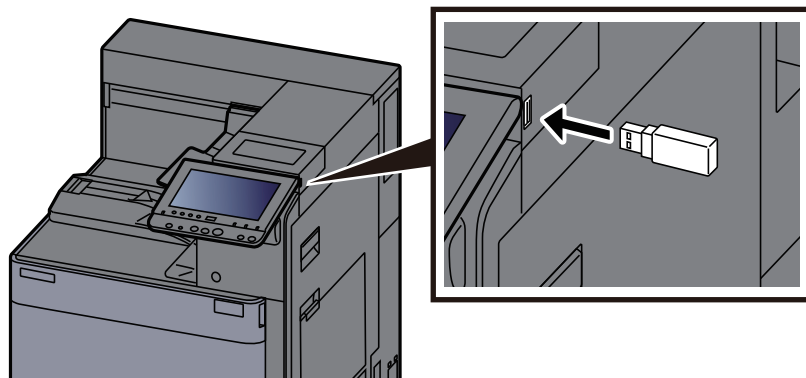
Printing Documents Stored in Removable USB Memory

NOTE

- PDF files you wish to print should have an extension (.pdf).
- Files to be printed should be saved no further down than the top 3 folder levels, including the root folder.
- Use USB memory properly formatted by this machine.
- Plug the USB memory directly into the USB Memory Slot.

1 Plug the USB memory.

- 1 Plug the USB memory into the USB Memory Slot.



- 2 When the machine reads the USB memory, "Removable Memory is recognized. Displaying files. Are you sure?" may appear. Select [**Yes**].

Displays the removable memory screen.

NOTE

If the message does not appear, select [**Removable Memory**] on the Home screen.

2 Print the document.

- 1 Select the folder containing the file to be printed > **[Open]**.

The machine will display documents in the top 3 folder levels, including the root folder.

NOTE

- 1,000 documents can be displayed.
- To return to a higher level folder, select **[Up]**.

- 2 Select the file to be printed > **[Print]**
- 3 Change the number of copies, duplex printing, etc. as desired.
For the features that can be selected, refer to the following:
➔ [Removable Memory \(page 6-4\)](#)
- 4 Press the **[Start]** key.
Printing of the selected file begins.

Check the USB Memory Information

- 1 In the removable memory screen, select **[Memory Information]**.
- 2 Once you confirm the information, select **[Close]**.

Removing USB Memory

IMPORTANT

Be sure to follow the proper procedure to avoid damaging the data or USB memory.

- 1 **Display the screen.**
[Home] key > **[Remove Memory]**
- 2 **Select [Remove Memory].**

Select **[OK]**, and remove the USB memory after "Removable Memory can be safely removed." is displayed.

NOTE

USB memory can also be removed after checking the status of the device.

- ➔ [Device/Communication \(page 7-11\)](#)

Using the Internet Browser

If the machine is connected to the network, you can browse the Internet on the touch panel.



NOTE

To use the internet browser, "Internet Browser Setting" must be set to **[On]** in Internet.

➔ [Internet \(page 8-55\)](#)

Launching and Exiting the Browser

Display the screen.

- 1 **[Home]** key > **[Internet Browser]**

The Internet browser starts up.

- 2 Use the browser screen to browse web pages.

For information on how to use the browser screen, refer to the following:

➔ [Using the Browser Screen \(page 5-29\)](#)

- 3 To exit the browser, select **[X]** (Close) and then select **[Yes]** in the exit confirmation screen.



NOTE

You can specify preferences such as the way the Internet browser screen is displayed.

➔ [Browser Environment \(page 8-55\)](#)

Using the Browser Screen

The operations available in the Internet browser screen are shown below.



- 1 **Title bar:** Displays the page title.
- 2 **Text box:** Pressing the text box displays a keyboard that allows you to type text.
- 3 **Close:** Closes the Internet browser and returns you to the application list screen.
- 4 **Scroll bars:** These allow you to scroll the displayed page up, down, left and right by selecting [\wedge], [\vee], [\lt] or [\gt] or by moving one of the slide bars with your finger.
- 5 **Back/Forward:** Displays the previous page or the next page.
- 6 **Reload:** Updates the page.
- 7 **Home page:** Displays your specified home page. You can set your home page.
➔ [Browser Environment \(page 8-55\)](#).
- 8 **Enter URL:** Use this to display a desired web page by entering the URL for that page.
- 9 **Search (Search Internet/Retrieval in page):** Displays a search menu in which you can select "Retrieval in page" or an Internet search site.
Search Internet: Use the selected search site to search with the entered keyword.
Retrieval in page: Search from the entered keyword in the currently displayed page. You can continue your search by selecting [**SearchUp**] or [**SearchDown**].
- 10 **Menu:** Displays the browser setup menu. You can use this menu to specify the browser's display magnification, set the text encoding scheme and check the server certificate.
- 11 **Loader/Progress bar:** Shows the status of page loading. When the browser is loading a web page, the loader changes to an animated display.
- 12 **Security lock icon:** Displayed when you are viewing a protected page.



NOTE

Selecting the [**Reset**] key while the Internet browser is displayed will exit the browser and return you to the application list screen without displaying the browser exit.

Manual Staple

You can staple copied paper manually without any print operation. It is useful when you have forgotten to set the staple sort mode before starting printing.

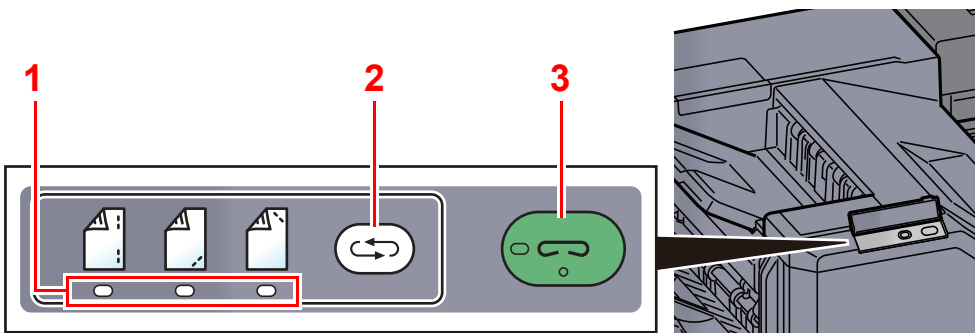
NOTE

- This function requires the optional Document Finisher:
 - ➔ [4,000-Sheet Finisher \(page 11-24\)](#)
- If there are no staples when manual stapling is performed, the stapling position lamps and stapling position key LEDs all blink. Add staples.
 - ➔ [Replacing Staples \(4,000-Sheet Finisher\) \(page 10-8\)](#)
- Manual stapling cannot be executed when the machine is in operation.

Maximum number of sheets available for manual stapling

Paper size	Paper weight	
	52 - 90 g/m ² (14.0 - 24.0 lb. Bond)	91 - 105 g/m ² (24.3 - 28.0 lb. Bond)
A4, A4-R, B5, Letter, Letter-R, 16K	65 sheets	55 sheets
A3, B4, Folio, Ledger	30 sheets	30 sheets

Use the keys on the control section of the Finisher (optional) for manual stapling.






- 1 Stapling position lamps
- 2 Stapling position key
- 3 Stapling key / lamp

1 Press the stapling position key on the stapling control section.

The shutter of the paper exit area is opened and this equipment enters into the manual staple mode.


2 Set the staple position.


Press the stapling position key to select the stapling position (Back  / Front  / 2 Points .


Operation is not possible while the stapling position lamps are blinking. Operate after the lamps light solidly.

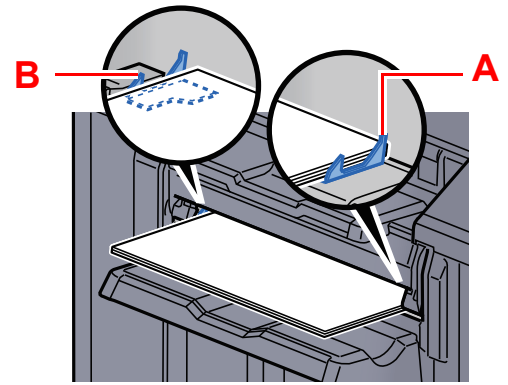
3 Load the paper.

Straighten the edges of the paper well and place the paper front side down in the shutter opening of the output unit.

If the near side of the paper () will be stapled, place the paper against the front guide (A).

If the far side of the paper () will be stapled, place the paper against the back guide (B).

If the edge of the paper () will be stapled at two points, place the paper with the center aligned to the center point between the two side guides (A and B).



CAUTION

Do not insert your hand inside the open shutter.



NOTE

- Press the stapling position key before you place the paper. Once the paper is placed, the stapling position key cannot be used.
- The stapling lamp lights when the paper is properly placed. If it does not light, replace the paper.

4 Staple the paper.

Let go of the paper, and then press the stapling key.

Stapling starts. Stapling finishes and the output is delivered to tray.



CAUTION

Be sure that your hands are away from the paper while stapling is in progress.

Finishing the manual staple mode

Press the stapling position key several times until the stapling position lamps turn off. The shutter of the paper exit area closes. It means that manual stapling is finished.

If no operation is performed for approx. 10 seconds, the manual staple mode will be automatically finished.



NOTE

The time after which manual staple mode is automatically exited can be changed.

➔ [Manual Staple \(page 8-18\)](#)

6 Using Various Functions

This chapter explains the following topics:

Functions Available on the Machine	6-2
About Functions Available on the Machine	6-2
Custom Box	6-2
Removable Memory	6-4
Functions	6-5
Paper Selection	6-5
Fold	6-7
Collate/Offset	6-8
Staple/Punch	6-9
Paper Output	6-12
EcoPrint	6-13
Zoom	6-13
Combine	6-14
Margin/Centering, Margin	6-15
Booklet	6-16
Duplex	6-18
Cover	6-19
Form Overlay	6-20
Page #	6-21
Text Stamp	6-23
Bates Stamp	6-24
Job Finish Notice	6-25
File Name Entry	6-25
Priority Override	6-25
Delete after Printed	6-26
Encrypted PDF Password	6-26
JPEG/TIFF Print	6-26
XPS Fit to Page	6-26

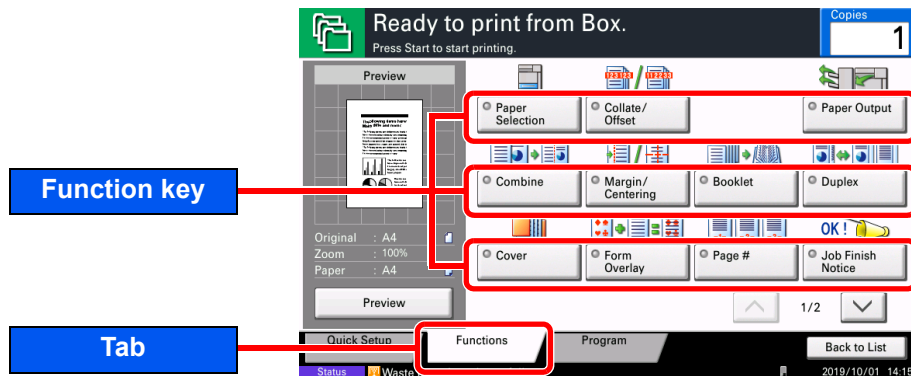
Functions Available on the Machine

About Functions Available on the Machine

This machine provides the various functions available.

Custom Box

To configure the settings for functions, select the tab and press the function key.



For details on each function, see the table below.

Tab	Function key	Description	Reference page
<div style="border: 1px solid black; padding: 5px; width: fit-content; margin-bottom: 10px;">Functions</div> <p>Configure the settings for paper selection and duplex printing when printing from the Custom Box.</p>	Paper Selection	Select the cassette or multipurpose tray that contains the required paper size.	page 6-5
	Collate/Offset	Offsets the output by page or set.	page 6-8
	Staple/Punch	Staples or punches printed documents.	page 6-9
	Paper Output	Specify the output tray.	page 6-12
	Combine	Combines 2 or 4 original sheets into 1 printed page.	page 6-14
	Margin/Centering	Margin: Add margins (white space). In addition, you can set the margin width and the back page margin. Centering: Centers the original image on the paper when printing onto paper different from the original size.	page 6-15
	Booklet	Print document so that it can be folded into a single booklet, with a cover.	page 6-16
	Duplex	Print documents using both sides of the page.	page 6-18
	Cover	Adds a cover to the finished documents.	page 6-19
	Form Overlay	Overlay a previously stored form on all printed pages.	page 6-20

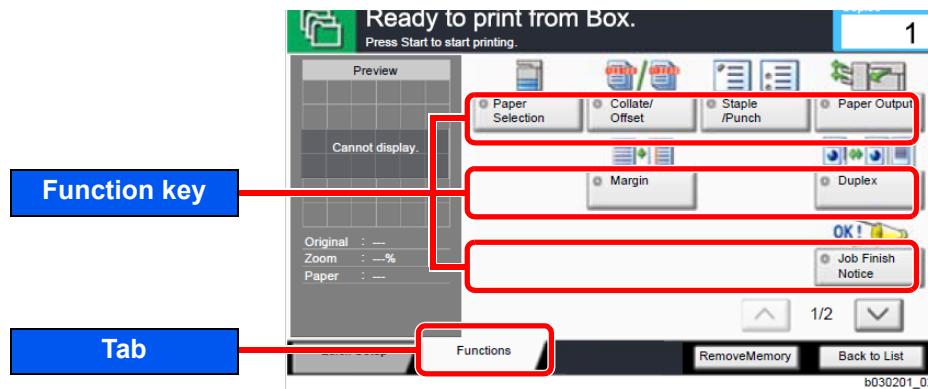
Tab
<div style="border: 1px solid black; padding: 5px; width: fit-content; margin: 0 auto;">Functions</div> <p>Configure the settings for paper selection and duplex printing when printing from the Custom Box.</p>



Function key	Description	Reference page
Page #	Adds page numbers to the finished documents.	page 6-21
Job Finish Notice	Sends E-mail notice when a job is complete.	page 6-25
File Name Entry	Adds a file name.	page 6-25
Delete after Printed	Automatically deletes a document from the box once printing is complete.	page 6-26
Priority Override	Suspends the current job and gives a new job top priority.	page 6-25
EcoPrint	EcoPrint saves toner when printing.	page 6-13
Zoom	Adjust the zoom to reduce or enlarge the image.	page 6-13
Fold	Fold the finished documents.	page 6-7
Text Stamp	Add the specified text to the produced documents.	page 6-23
Bates Stamp	Add the additional information such as sequential number, date or text to the produced documents.	page 6-24

Removable Memory

To configure the settings for functions, select the tab and press the function key.


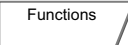




For details on each function, see the table below.

Tab	Function key	Description	Reference page
<div style="border: 1px solid black; padding: 5px; width: fit-content; margin-bottom: 10px;">Functions</div> <p>Configure the settings for paper selection and duplex printing when printing from the removable memory.</p>	Paper Selection	Select the cassette or multipurpose tray that contains the required paper size.	page 6-5
	Collate/Offset	Offsets the output by page or set.	page 6-8
	Staple/Punch	Staples or punches printed documents.	page 6-9
	Paper Output	Specify the output tray.	page 6-12
	Margin	Add margins (white space). In addition, you can set the margin width and the back page margin.	page 6-15
	Duplex	Print documents using both sides of the page.	page 6-18
	Job Finish Notice	Sends E-mail notice when a job is complete.	page 6-25
	Priority Override	Suspends the current job and gives a new job top priority.	page 6-25
	EcoPrint	EcoPrint saves toner when printing.	page 6-13
	Fold	Fold the finished documents.	page 6-7
	Text Stamp	Add the specified text to the produced documents.	page 6-23
	Bates Stamp	Add the additional information such as sequential number, date or text to the produced documents.	page 6-24
	Encrypted PDF Password	Enter the preassigned password to print the PDF data.	page 6-26
	JPEG/TIFF Print	Select the image size when printing JPEG or TIFF files.	page 6-26
XPS Fit to Page	Reduces or enlarges the image size to fit to the selected paper size when printing XPS file.	page 6-26	

Functions

On pages that explain a convenient function, the modes in which that function can be used are indicated by icons.

Icon	Description
 	Access to the function is indicated by icons. Example: Select the [Functions] tab in the Custom Box screen to use the function.
 	Access to the function is indicated by icons. Example: Select the [Functions] tab in the Removable Memory screen to use the function.

Paper Selection



Select the cassette or multipurpose tray that contains the required paper size.

If [**Auto**] is selected, the paper matching the size of the original is selected automatically.

NOTE

- Specify in advance the size and type of the paper loaded in the cassette.
 - ➔ [Cassette/MP Tray Settings \(page 8-6\)](#)
- Cassettes after Cassette 3 are displayed when the optional paper feeder is installed.

To select [**MP tray**], select [**Paper Size**] and [**Media Type**], and specify the paper size and the media type. The available paper sizes and media types are shown in the table below.

Item		Value	Description
Paper Size	Standard Sizes 1	Metric models: A3 ^{*1*3} , A4-R ^{*2*3} , A4 ^{*2*3} , A5-R ^{*2*3} , A5 ^{*2} , A6-R ^{*2*3} , B4 ^{*1*3} , B5-R ^{*2*3} , B5 ^{*2*3} , B6-R ^{*2*3} , Folio ^{*2*3} , 216×340 mm ^{*4} , SRA3 ^{*1*3}	Select from the standard size.
		Inch models: Ledger ^{*1*3} , Letter-R ^{*2*3} , Letter ^{*2*3} , Legal ^{*2*3} , Statement ^{*2*3} , Executive, 12×18" ^{*1*3} , Oficio II	
	Standard Sizes 2	Metric models: Ledger ^{*1*3} , Letter-R ^{*2*3} , Letter ^{*2*3} , Legal ^{*2*3} , Statement ^{*2*3} , Executive, 12×18" ^{*1*3} , Oficio II, 8K ^{*4} , 16K-R, 16K	Select from standard sizes except Standard Sizes 1.
		Inch models: A3 ^{*1*3} , A4-R ^{*2*3} , A4 ^{*2*3} , A5-R ^{*2*3} , A5 ^{*2} , A6-R ^{*2*3} , B4 ^{*1*3} , B5-R ^{*2*3} , B5 ^{*2*3} , B6-R ^{*2*3} , Folio ^{*2*3} , 8K ^{*4} , 16K-R, 16K, 216×340 mm ^{*4} , SRA3 ^{*1*3}	
Others	ISO B5, Envelope #10, Envelope #9, Envelope #6, Envelope Monarch, Envelope DL, Envelope C5, Envelope C4 ^{*4} , Hagaki (Cardstock) ^{*3} , Oufuku Hagaki (Return postcard), Youkei 4, Youkei 2, Custom ^{*5}	Select from special standard sizes and custom sizes.	

Item		Value		Description
Paper Size	Size Entry	Metric	X: 148 to 457 mm (in 1 mm increments) Y: 98 to 320 mm (in 1 mm increments)	Enter the size not included in the standard size. ^{*6} When you have selected [Size Entry] , use [+] / [-] or the numeric keys to set the sizes of "X" (horizontal) and "Y" (vertical). Select [# Keys] to use the numeric keys for entry.
		Inch	X: 5.83 to 18.00" (in 0.01" increments) Y: 3.86 to 12.60" (in 0.01" increments)	
Media type		Plain (60 to 105 g/m ²), Transparency, Rough, Vellum (52 to 105 g/m ²), Labels, Recycled, Preprinted ^{*7} , Bond, Cardstock, Color, Prepunched ^{*7} , Letterhead ^{*7} , Thick (106 g/m ² and more), Envelope, Coated, High Quality, Index Tab Dividers, Custom 1-8 ^{*7}		

*1 Paper size is automatically detected in the cassette (excluding cassette 1).

*2 Paper size is automatically detected in the cassette.

*3 Paper size is automatically detected in the Multipurpose Tray.

*4 This paper cannot be used in Cassette 1.

*5 For instructions on how to specify the custom paper size, refer to the following:

➔ [Custom Paper Size \(page 8-10\)](#)

*6 The input units can be changed in System Menu. For details, refer to the following:

➔ [Measurement \(page 8-12\)](#)

*7 For instructions on how to specify the custom paper types 1 to 8, refer to the following:

➔ [Media Type Setting \(page 8-12\)](#)

To print on preprinted or prepunched paper or on letterhead, refer to the following:

➔ [Special Paper Action \(page 8-11\)](#)



IMPORTANT

When paper size and the media type for MP tray is specified, **[Paper Settings]** is selected. Note that if **[MP Tray]** is pressed at this point, the settings will be canceled.



NOTE

- You can conveniently select in advance the size and type of paper that will be used often and set them as default.
 - ➔ [MP Tray Setting \(page 8-7\)](#)
- If the specified size of paper is not loaded in the paper source cassette or multipurpose tray, a confirmation screen appears. When **[Auto]** is selected and the same size of paper as the original size is not loaded, a paper confirmation screen appears. Load the required paper in the multipurpose tray and press **[Continue]** to start printing.

Fold



Functions



Functions

Folds the finished documents. Select the fold method.

The following folding options and orientations are available.

Original orientation			Orientation: Landscape	Orientation: Portrait
Item				
Bi-Fold				
	Saddle Stitch			
Tri-Fold	Inside	R to L/B to T		
		L to R/T to B		
	Outside	R to L/B to T		
		L to R/T to B		

NOTE

- Folding requires the optional 4,000-Sheet Finisher and the folding unit.
- For details on paper sizes and numbers of sheets that can be folded, refer to the following:
 - ➔ [Folding Unit \(page 11-25\)](#)

Collate/Offset



Functions



Functions

Offsets the output by page or set.

Item	Image	Description
Collate		<p>Delivers complete sets of documents as required according to page number.</p>
Offset	<p>Without Document Finisher (Option)</p>	<p>Printed documents are produced after rotating each set (or page^{*1}) by 90 degrees.</p> <p> NOTE</p> <p>To use offsetting, the same size of paper as the selected paper tray must be loaded in a different orientation in a different paper tray.</p> <p>The paper sizes supported in Offset: A4, B5, Letter and 16K.</p>
	<p>With Document Finisher (Option)</p>	<p>Printed documents are segregated after each set of documents (or after each page^{*1}).</p> <p> NOTE</p> <ul style="list-style-type: none"> The optional Document Finisher is required. <ul style="list-style-type: none"> ➔ 1,000-Sheet Finisher (page 11-23) ➔ 4,000-Sheet Finisher (page 11-24) The paper sizes supported in Offset: A3, A4, B4, B5, 216×340 mm, Ledger, Letter, Legal, Oficio II, 8K and 16K.

*1 If **[Off]** is selected for "Collate" setting, **[Each Page]** appears. When **[On]** is selected, **[Each Set]** appears.

Staple/Punch



Functions



Functions

Staple



NOTE

This function requires the optional Document Finisher. Note also that saddle stitching (center stapling) requires the Folding Unit.

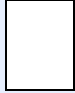








For details on paper sizes and numbers of sheets that can be stapled, refer to the following:

- ➔ [1,000-Sheet Finisher \(page 11-23\)](#)
- ➔ [4,000-Sheet Finisher \(page 11-24\)](#)
- ➔ [Folding Unit \(page 11-25\)](#)

Staples the finished documents. The staple position can be selected.

Item	Value	Description
Staple	Off	
	Top Left	Select the staple position. For details on original orientation and staple position, refer to the following: ➔ Original Orientation and Staple Position (page 6-10)
	Top Right	
	2 staples Left	
	2 staples Top	
	2 staples Right	
	Saddle Stitch	Select whether to fold the finished documents in two with staples in the center. For details on saddle stitching, refer to the following: ➔ Booklet (page 6-16)

Original Orientation and Staple Position

Original orientation	Portrait	Landscape
<p>Paper orientation</p> 		
<p>Cassette paper load direction</p> 		
<p>Cassette paper load direction</p> 		



NOTE

One position staple is not slanted for the following paper sizes.

B5-R, 16K-R

Punch

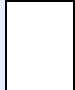

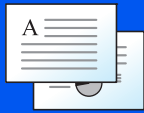
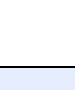
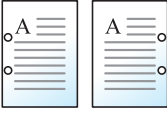

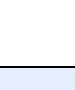

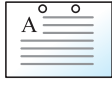
Punches holes in sets of finished documents.


 **NOTE**

- This function requires the optional Document Finisher and Punch Unit.
- For details on paper sizes that can be punched, refer to the following:
 - ➔ [Punch Unit \(For 1,000-Sheet/4,000-Sheet Finisher\) \(page 11-24\)](#)
- The inch model provides two-hole and three-hole punching. The metric model provides two-hole and four-hole punching.

Item	Value	Description
Punch	Off	
	2 holes Left	Select the position of punch holes. For details on original orientation and position of punch holes, refer to the following: ➔ Original Orientation and Punch Hole Position (page 6-11)
	2 holes Top	
	2 holes Right	
	3 holes Left	
	3 holes Top	
	3 holes Right	
	4 holes Left	
	4 holes Top	
	4 holes Right	

Original Orientation and Punch Hole Position

Original orientation	Portrait	Landscape
Paper orientation 		
Cassette paper load direction 		
Cassette paper load direction 		

 **NOTE**

The inch model provides two-hole and three-hole punching. The metric model provides two-hole and four-hole punching.

Paper Output



Functions



Functions

Specify the output tray.

with optional Job Separator

Item	Description
Main Tray	Outputs to the Main Tray of the machine.
Job Separator Tray	Delivery to the Job Separator.

with optional 1,000-Sheet Finisher

Item	Description
Finisher Tray	Delivery to the Finisher Tray of the optional Document Finisher.
Job Separator Tray ^{*1}	Delivery to the Job Separator.

*1 The paper sizes cannot be output to the Job Separator Tray: SRA3, 12×18".

with optional 4,000-Sheet Finisher

Item	Description
Tray A	Delivery to the Tray A of the optional Document Finisher.
Tray B	Delivery to the Tray B of the optional Document Finisher. When [Heavy 5] (257 g/m ² - 300 g/m ²) is set in Paper Weight and tray B is set for the output destination, the output destination is automatically changed to the tray A.
Job Separator Tray ^{*1}	Delivery to the Job Separator.

*1 The paper sizes cannot be output to the Job Separator Tray: SRA3, 12×18".

with optional Mailbox

Item	Description
Tray A	Delivery to the Tray A of the optional Document Finisher.
Tray B	Delivery to the Tray B of the optional Document Finisher. When [Heavy 5] (257 g/m ² - 300 g/m ²) is set in Paper Weight and tray B is set for the output destination, the output destination is automatically changed to the tray A.
Job Separator Tray ^{*1}	Delivery to the Job Separator.
Tray 1 to 7	Delivery to tray 1 to 7 (tray 1 is the uppermost tray) of the optional Mailbox. When [Heavy 3] to [Heavy 4] (164 g/m ² - 256 g/m ²) is set in Paper Weight and Mailbox is set for the output destination, the output destination is automatically changed to the tray B. When [Heavy 5] (257 g/m ² - 300 g/m ²) is set in Paper Weight and Mailbox is set for the output destination, the output destination is automatically changed to the tray A.

*1 The paper sizes cannot be output to the Job Separator Tray: SRA3, 12×18".

NOTE

- This can be set when the optional Job Separator or Document Finisher (1,000-Sheet Finisher or 4,000-Sheet Finisher) is installed.
- The default setting for Paper Output can be changed.
➔ [Paper Output \(page 8-14\)](#)

EcoPrint

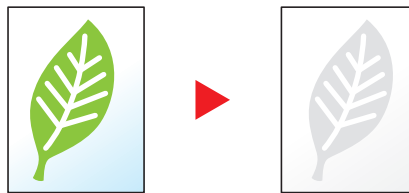


Functions



Functions

EcoPrint saves toner when printing. Use this function for test prints or any other occasion when high quality print is not required.



Item	Value	Description
Off		
On	[1] (Low) to [5] (High)	Adjust the Toner Save Level.

Zoom



Functions

Adjust the zoom to reduce or enlarge the image.

Item	Description
100%	Reproduces the original size.
Auto	Reduces or enlarges original to printing size.

NOTE

- To reduce or enlarge the image, select the paper size.
➔ [Paper Selection \(page 6-5\)](#)
- Some combinations of original size and paper size may cause the image to be positioned at the edge of the paper. To center the original vertically and horizontally on the page, use the Centering function.
➔ [Margin/Centering, Margin \(page 6-15\)](#)

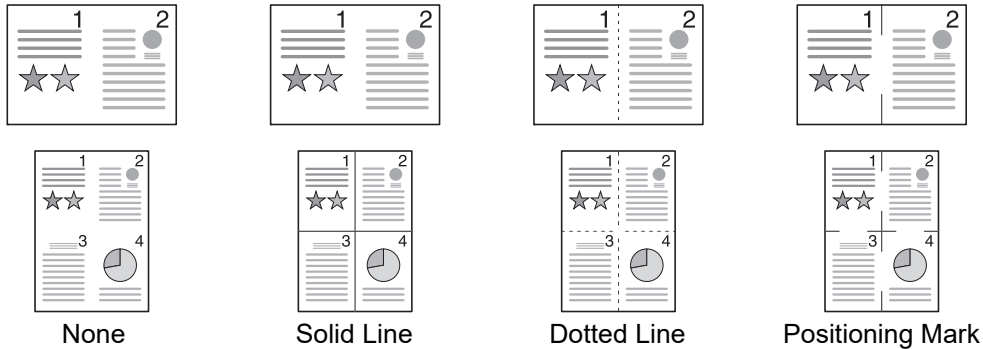
Combine



Combines 2 or 4 original sheets into 1 printed page.

You can select the page layout and the type of boundary lines around the pages.








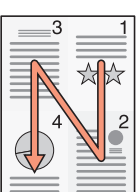
The following types of the boundary lines are available.




Item		Value	Description
Off			
2 in 1	Layout	L to R/T to B, R to L/B to T	Select the direction the pages should flow.
	Border Line	None, Solid Line, Dotted Line, Positioning Mark	Select the boundary line type. Select [Border Line] to select the page boundary line, and select [OK] .
4 in 1	Layout	Right then Down, Left then Down, Down then Right, Down then Left	Select the direction the pages should flow.
	Border Line	None, Solid Line, Dotted Line, Positioning Mark	Select the boundary line type. Select [Border Line] to select the page boundary line, and select [OK] .

Layout image

Item	Image
2 in 1	

Item		Image	
4 in 1	Right then Down		
	Left then Down		
	Down then Right		
	Down then Left		

 **NOTE**

The paper sizes supported in Combine mode: A3, A4-R, A4, A5-R, A5, B4, B5-R, B5, Folio, 216×340 mm, SRA3, Ledger, Letter-R, Letter, Legal, Statement-R, Oficio II, 8K, 16K-R and 16K.

Margin/Centering, Margin



Functions



Functions

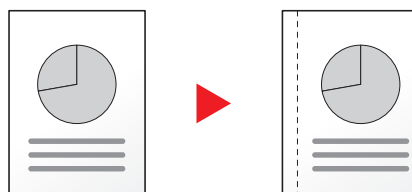
Add margins (white space). In addition, you can set the margin width and the back page margin.

Centering: Centers the original image on the paper when printing onto paper different from the original size.

 **NOTE**

The default setting for margin width can be changed.

➔ [Margin Default \(page 8-15\)](#)



Item	Value	Description
Off		
Margin	Left/Right	Metric: -18 mm to +18 mm (in 1 mm increments)
	Top/Bottom	Inch: -0.75" to +0.75" (in 0.01" increments)
	Back Page	Auto, Manual
Set the margin width.*1 Select [+] or [-] to enter the margins for "Left/Right" and "Top/Bottom". Select [# Keys] to use the numeric keys for entry.		
For duplex printing, select [Back Page] and select [Auto] or [Manual] . When [Auto] is selected, an appropriate margin is applied automatically on the rear page depending on a margin specified for the front page and a binding orientation. When [Manual] is set, you can set a different margin than the front on the back. Set the margin in the screen that is displayed. The setting selections are the same as for the front.		
Centering*2	Centers the original image on the paper.	

*1 The input units can be changed in System Menu.

➔ [Measurement \(page 8-12\)](#)

*2 Not displayed when printing from removable memory.

Booklet



The Booklet option allows you to produce booklets such as small brochures or pamphlets. A booklet, such as a magazine, is made by folding at the center.

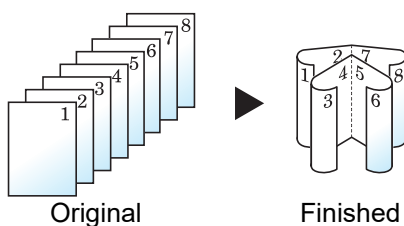
You can print the cover page onto colored paper or thick paper. Paper for the cover is supplied from the multipurpose tray. To feed the cover paper from the cassette, refer to the following:

➔ [Paper Source for Cover \(page 8-11\)](#)

NOTE

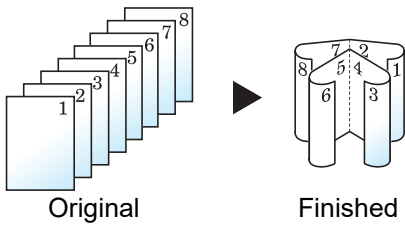
- The paper sizes supported in Booklet: A3, A4-R, A4, A5, B4, B5-R, B5, Ledger, Letter-R, Letter, Legal, Oficio II and 8K
- Using the optional 4,000-Sheet Finisher and the folding unit enables you to saddle stitch your documents (fold them in two with staples in the center). Supported paper sizes are A3, A4-R, B4, Ledger, Letter-R, Legal, Oficio II and 8K.

Binding on the left side



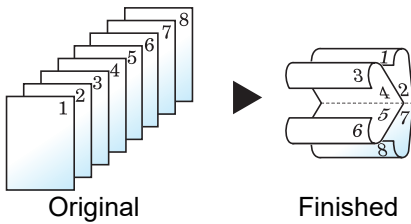
The folded documents can be read from left to right.

Binding on the right side



The folded documents can be read from right to left.

Top binding



The folded documents can be read from top to bottom.

Item	Value	Description		
Off				
Booklet	Binding	Left, Right, Top	Select the binding orientation of documents.	
	Cover	Off		
		Cover: Front Cover Print Setting	Not Print, Front Only, Back Only, Duplex	Select whether to add the cover. Select the printing method for the cover to be inserted.
		Cover: Back Cover Print Setting	Not Print, Front Only, Back Only, Duplex	Select [Cover] , and then [Cover] , and specify the print setting for the cover to be inserted. Select from [Not Print] , [Back Only] , [Front Only] , and [Duplex] , and press [OK] .
Staple/Fold	Off, Fold Only, Saddle Stitch	To fold finished documents in half, select [Staple/Fold] and then select [Fold Only] . To use saddle stitching, select [Staple/Fold] and then select [Saddle Stitch] .		



NOTE

The number of sheets that can be folded or Saddle Stitch stapled varies depending on paper weight. For details, refer to the following:

➔ [Folding Unit \(page 11-25\)](#)

Duplex

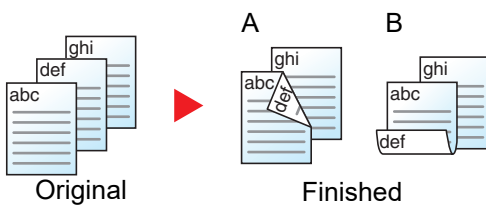
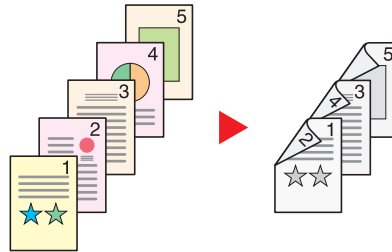


Functions



Functions

Print documents using both sides of the page. In case of an odd number of originals, the back side of the last page will be blank.



The following binding options are available.

- A Binding Left/Right: Images on the second sides are not rotated.
- B Binding Top: Images on the second sides are rotated 180 degrees. Finished pages can be bound on the top edge, facing the same orientation when turning the pages.



NOTE

The paper sizes supported in Duplex mode: A3, A4-R, A4, A5-R, A5, A6-R, B4, B5-R, B5, B6-R, 216×340 mm, SRA3, Ledger, Letter-R, Letter, Legal, Statement-R, Executive, 12×18", Oficio II, Folio, 8K, 16K-R, 16K, ISO B5, Hagaki (Cardstock), Oufuku hagaki (Return postcard) and Custom 1 to 4.

Item	Value	Description
1-sided	—	Disables the function.
2-sided	Left/Right	Prints a 2-sided document so that the sheets are aligned properly for binding on the left or right.
	Top	Prints a 2-sided document so that the sheets are aligned properly for binding on the top.

Cover



Functions

Adds a cover to the finished documents.

You can print the first page and/or the last page onto colored paper or thick paper fed from the different paper source than the regular one. The following two options are available. Paper for the cover is supplied from the multipurpose tray. To feed the cover paper from the cassette, refer to the following:

➔ [Paper Source for Cover \(page 8-11\)](#)

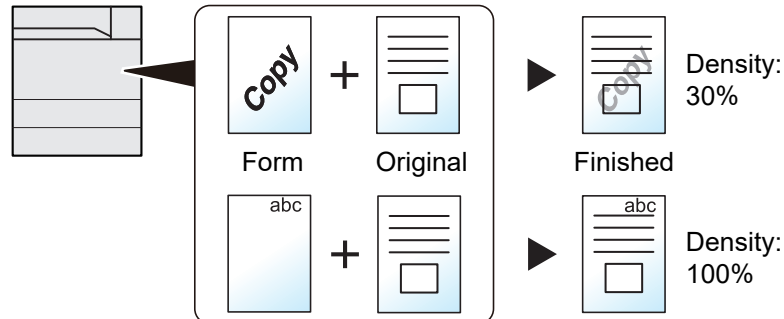
The printing method can be set for the covers. Specify a print setting for each cover.

Item		Value	Description
Off			
Front Cover		Not Print, Front Only, Back Only, Duplex	Different paper has to be inserted for the first page of the document. Select [Stop Printing], [Front Only], [Back Only], or [Duplex] for the print setting of the inserted paper.
Front and Back Covers	Front Cover Print Setting	Not Print, Front Only, Back Only, Duplex	Different paper has to be inserted for the first page and last page of the document. Select [Stop Printing], [Front Only], [Back Only], or [Duplex] for the print setting of the inserted paper.
	Back Cover Print Setting	Not Print, Front Only, Back Only, Duplex	

Form Overlay



Overlay a previously stored form on all printed pages. The document stored in the Custom Box in advance is used as the form.



1 Store form.

Data from your PC used for forms is saved in your Custom Box. For the operation of the printing from the PC, refer to the following:

➔ [Printer Driver User Guide](#)

2 Select the documents.

Select the document that you want to print in Custom Box. For details on selecting the documents, refer to the following:

➔ [Printing Documents in Custom Box \(page 5-24\)](#)

3 Set the form overlay.

[Functions] > [Form Overlay] > Enter the information for each item > [OK]

The table below lists the items to be set.

Item	Value	Description	
Off			
Select Stored Form	Density	10% to 100% Specify the density of the form to be overlaid. Select [+] or [-] in "Density".	
	Finishing Image	Transparent	The form is overlaid on the document.
		Form on Original Image	The form is placed on top of the document.
		Original Image on Form	The form is placed under the document.
Select Form	—	Select the form stored in step 1. Select [Select Form] to display the custom boxes. Select the desired form from the box and then select [OK].	

4 Press the [Start] key.

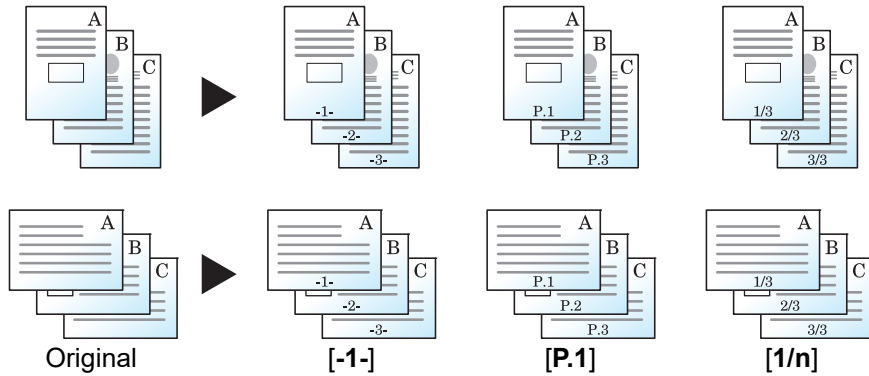
Page



Functions

Adds page numbers to the finished documents.

The available formats for numbering are [-1-], [P.1] and [1/n]. The format [1/n] prints the total number of pages in the place of "n".



Select the numbering format from [-1-], [P.1] or [1/n].

Item	Value	Description
Off		
-1-, P.1, 1/n	Position	Top Left, Top Middle, Top Right, Bottom Left, Bottom Middle, Bottom Right, Detail Select the print position of page number. Select [Detail] to specify the detailed page number position using numeric values, and to set the page number position ([Same as Front Page] , [Mirror Front Page]) when a page number is placed on the back side of the paper in duplex printing.
	1st Page	1 to 10 To start page numbering from a page other than the first page, select [+] or [-] in "1st Page" to specify the starting page. Select [# Keys] to use the numeric keys for entry.
	Start #	1 to 999 To start the numbering with a number other than 1, select [+] or [-] in "Start Number" to specify the starting number. Select [# Keys] to use the numeric keys for entry.
	Last Page	Auto, Manual (-10 to 0) If you do not want page numbering through to the last page, select [Last Page] . Select [Manual] and select [+] or [-] to specify the final page to be numbered (a negative number of pages counting backwards from the last page), and then select [OK] . Specify the desired number up to -10. Select [# Keys] to use the numeric keys for entry.

Item		Value	Description
-1-, P.1, 1/n	Font	Size	Font sizes registered in "Text (Text Stamp)" are displayed. ➔ Text (Text Stamp) (page 8-16)
		Style	None, Bold, Italic, Bold/Italic
		Font	Courier, Letter Gothic
		Color	Black, White
		Density	10 to 100% (in 10% increments)
		Display Pattern	Transparent, Clipping, Overwrite
	Denominator#*1	Auto, Manual (1 to 999)	The total number of pages "n" in the format [1/n] can be changed manually. Select [Denominator #] and select [Manual]. Select [+] or [-] to enter the total number of pages and select [OK]. Select [# Keys] to use the numeric keys for entry.

*1 This item appears when [1/n] is selected.

Text Stamp



Functions



Functions

Add the specified text to the produced documents.



NOTE

This cannot be set when Text Stamp is set in the system settings.

➔ [Printing Jobs \(page 8-17\)](#)

Item		Value	Description	
Off				
On	Stamp	Keyboard, Template 1 to 8	Select [Keyboard] and enter the text string to be printed, or select a text stamp from the displayed templates. NOTE Templates that have been set will appear. For details on registering templates, refer to the following: ➔ Text (Text Stamp) (page 8-16)	
	Stamp Method	Each Print Page, Each Original Page	Select the stamp method. Select [Stamp Method] and set the stamp method for text stamp.	
	Position	Top Left, Top Middle, Top Right, Middle Left, Center, Middle Right, Bottom Left, Bottom Middle, Bottom Right, Detail	Set the stamp position to be printed. Select [Position] and select the text stamp position. Select [Detail] to specify the detailed stamp position using numeric values, and to set the stamp position and angle when a stamp is placed on the back side of the paper in duplex printing.	
	Font	Size	Registered font sizes are displayed. For details on registering font sizes, refer to the following: ➔ Font (Text Stamp) (page 8-16)	Set the font size of text stamp.
		Character Border	Off, Circle, Rectangle, Underline	Set the character border and underline.
		Style	None, Bold, Italic, Bold/Italic	Set the font style of text stamp. Select a font style by checking the checkbox.
		Font	Courier, Letter Gothic	Set the font of text stamp.
		Color	Black, White	Set the color of text stamp.
		Density	10 to 100% (in 10% increments)	Set the density of text stamp color. Set the value by selecting [+] or [-].
		Display Pattern	Transparent, Clipping, Overwrite	Set the display method of text stamp.

Bates Stamp



Functions



Functions

Add the additional information such as sequential number, date or text to the produced documents.



NOTE

This cannot be set when Bates Stamp is set in the system settings.

➔ [Printing Jobs \(page 8-17\)](#)

Item		Value	Description	
Off				
On	Stamp	Date, User Name, Serial Number, Numbering, Text 1, Text 2	Set the stamp to be printed. When [Text 1] or [Text 2] is selected, select [Change] below and enter the text string. If you selected [Date] , select [Date Format] and select [MM/DD/YYYY] , [DD/MM/YYYY] , or [YYYY/MM/DD] to set the date format. To set [Numbering] , select [Numbering Default] and set the starting sequence number (1 to 9999999). If you select [Fixed Digit Number] > [On] , you can set the number of digits of the serial number (1 to 7 digits).	
	Position	Top Left, Top Middle, Top Right, Middle Left, Center, Middle Right, Bottom Left, Bottom Middle, Bottom Right, Detail	Set the stamp position to be printed. Select [Position] and select the bates stamp position. Select [Detail] to specify the detailed stamp position using numeric values, and to set the stamp position when a stamp is placed on the back side of the paper in duplex printing.	
	Font	Size	Registered font sizes are displayed. For details on registering font sizes, refer to the following: ➔ Font (Bates Stamp) (page 8-16)	Set the font size of bates stamp.
		Style	None, Bold, Italic, Bold/Italic	Set the font style of bates stamp. Select a font style by checking the checkbox.
		Font	Courier, Letter Gothic	Set the font of bates stamp.
		Color	Black, White	Set the color of the bates stamp.
		Density	10 to 100% (in 10% increments)	Set the density of bates stamp color. Set the value by selecting [+] or [-] .
Display Pattern	Transparent, Clipping, Overwrite	Set the display method of the bates stamp.		

Job Finish Notice



Functions



Functions

Sends E-mail notice when a job is complete. It is also available that send a notice when a job is interrupted.

Users can be notified of the completion of a job while working at a remote desk, saving the time spent waiting beside the machine to finish.



NOTE

- PC should be configured in advance so that E-mail can be used.
 - ➔ [Command Center RX \(page 2-51\)](#)
- E-mail can be sent to a single destination.

Item	Description
Off	
Address Entry	Enter E-mail address directly. Select [E-mail Address], enter the address (up to 128 characters) and select [OK].
Notify when interrupted	Add a check mark if you require an e-mail notification when a job is interrupted.

File Name Entry



Functions

Adds a file name.

Additional information such as job number and date and time can also be set. You can check a job history or job status using the file name, date and time, or job number specified here.

Select [**File Name**], enter the file name (up to 32 characters), and select [**OK**].

To add date and time, select [**Date and Time**]. To add job number, select [**Job No.**]. The added information will be displayed in "Additional Info".

Priority Override



Functions



Functions

Suspends the current job and gives a new job top priority.

The suspended job resumes after the other job is finished.

(Value: [**Off**] / [**On**])



NOTE

- This function is not available if current job was an override.
- Priority override may not be available depending on the status of the current print job and memory usage.

Delete after Printed



Automatically deletes a document from the box once printing is complete.

(Value: [Off] / [On])

Encrypted PDF Password



Enter the preassigned password to print the PDF data.

Enter the Password, and select [OK].

NOTE

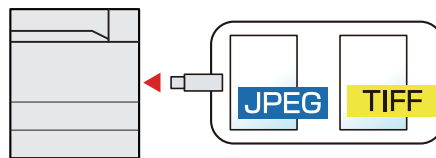
For details on entering the password, refer to the following:

➔ [Character Entry Method \(page 11-9\)](#)

JPEG/TIFF Print



Select the image size when printing JPEG or TIFF files.



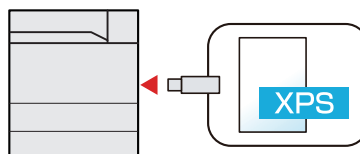
Item	Description
Paper Size	Fits the image size to the selected paper size.
Image Resolution	Prints at resolution of the actual image.
Print Resolution	Fits the image size to the print resolution.

XPS Fit to Page



Reduces or enlarges the image size to fit to the selected paper size when printing XPS file.

(Value: [Off] / [On])



7 Status/Job Cancel

This chapter explains the following topics:

Checking Job Status	7-2
Details of the Status Screens	7-3
Checking Detailed Information of Jobs	7-6
Checking Job History	7-7
Checking the Detailed Information of Histories	7-8
Sending the Log History	7-8
Job Operation	7-9
Pause and Resumption of Jobs	7-9
Canceling of Jobs	7-9
Priority Override for Waiting Jobs	7-9
Reordering Print Jobs	7-10
Device/Communication	7-11
Checking the Remaining Amount of Toner and Paper (Paper/Supplies)	7-12

Checking Job Status

Check the status of jobs being processed or waiting to be printed.

Available Status Screens

The processing and waiting statuses of jobs are displayed as a list on the touch panel in two different screens - Printing Jobs and Storing Jobs.

The following job statuses are available.

Status Display	Job status to be displayed
Print Job Status	<ul style="list-style-type: none"> • Printer • E-mail reception • Printing from Document Box • Printing data from removable memory • Application • Job Report/List
Store Job Status	<ul style="list-style-type: none"> • Printer

Displaying Status Screens

1 Display the screen.

Select the [Status/Job Cancel] key.

2 Select the job you want to check.

Select either of [Print Job] or [Store Job] to check the status.

➔ [Print Job Status Screen \(page 7-3\)](#)

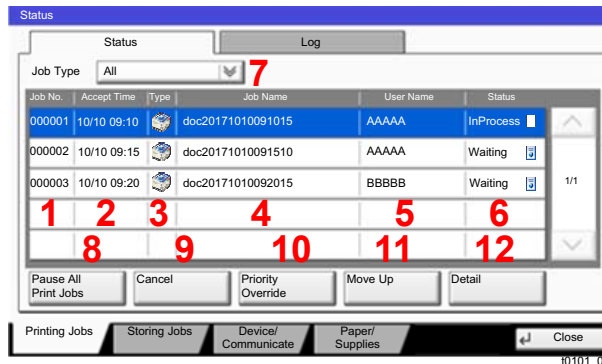
➔ [Store Job Status screen \(page 7-5\)](#)








Details of the Status Screens

NOTE

- You can show the job statuses of all users, or only the statuses of your own jobs.
 - ➔ [Display Status/Log \(page 8-20\)](#)
- This setting can also be changed from Command Center RX.
 - ➔ [Command Center RX User Guide](#)

Print Job Status Screen



No.	Item	Description
1	Job No.	Acceptance No. of job
2	Accepted Time	Accepted Time of job
3	Type	Icons that indicate the job type  Printer job  Job from Document Box  E-mail reception  Data from removable memory  Application  Report/List
4	Job Name	Job Name or file name
5	User Name	User Name for the executed job
6	Status	Status of job InProcess: The status before starting to print. Printing: Printing Waiting: Print Waiting Pause: Pausing print job or error Canceling: Canceling the job
7	[] of "Job Type"	Only selected type of jobs is displayed.
8	[Pause All Print Jobs]	Pauses all the printing jobs. By pressing this key again, the printing jobs will be resumed.

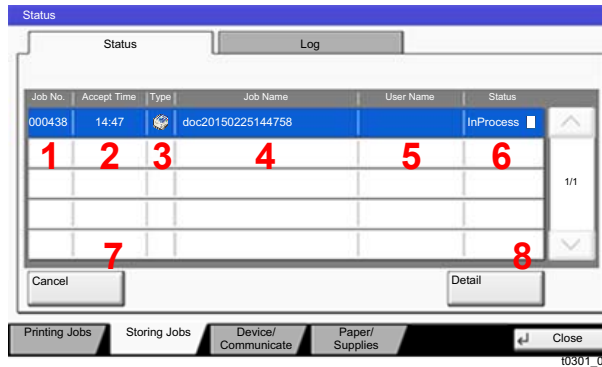
No.	Item	Description
9	[Cancel]	Select the job you want to cancel from the list, and press this key.
10	[Priority Override]	Select the job to be overridden, and press this key. ➔ Priority Override for Waiting Jobs (page 7-9)
11	[Move Up]	In the list, select the job that you want to move up the job queue and press this key. ➔ Reordering Print Jobs (page 7-10)
12	[Detail]	Select the job whose detailed information you want to display from the list, and press this key. ➔ Checking Detailed Information of Jobs (page 7-6) You can select [Change] in “Copies” in the detailed information screen to change the number of copies that are printed.


**NOTE**

The job name and user name can be changed to other information if needed.

➔ [Customize Status Display \(page 8-20\)](#)

Store Job Status screen



No.	Item	Description
1	Job No.	Acceptance No. of job
2	Accepted Time	Accepted Time of job
3	Type	Icons that indicate the job type  Storing Job Printer
4	Job Name	Job name or file name is displayed.
5	User Name	User Name for the executed job
6	Status	Status of job InProcess: The status before starting to save Storing: Storing Data Canceling: Canceling the job Pause: Pausing the job
7	[Cancel]	Select the job you want to cancel from the list, and press this key.
8	[Detail]	Select the job whose detailed information you want to display from the list, and press this key. ▶ Checking Detailed Information of Jobs (page 7-6)

NOTE

The job name and user name can be changed to other information if needed.

▶ [Customize Status Display \(page 8-20\)](#)

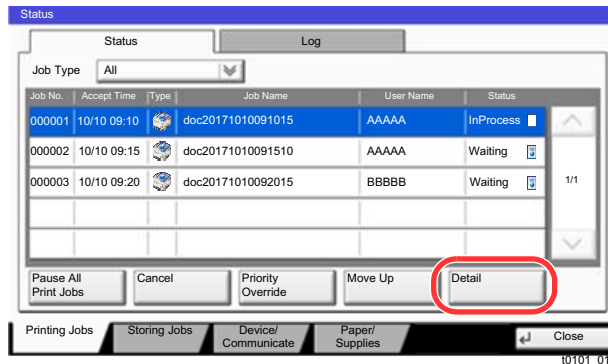
Checking Detailed Information of Jobs

1 Display the screen.

➔ [Details of the Status Screens \(page 7-3\)](#)

2 Check the information.

1 Select [**Detail**] for the job for which you wish to display detailed information.



Detailed information of the selected job is displayed.

Use [∨] or [∧] to see the next or previous page of information.

2 To exit from the detailed information, select [**Close**].

Checking Job History

 **NOTE**

- Job history is also available by Command Center RX or KYOCERA Net Viewer from the computer.
 - ➔ **Command Center RX User Guide**
 - ➔ **KYOCERA Net Viewer User Guide**
- You can show the job log of all users, or only your own job log.
 - ➔ [Display Status/Log \(page 8-20\)](#)
- This setting can also be changed from Command Center RX.
 - ➔ **Command Center RX User Guide**

Available Job History Screens

The job histories are displayed separately in two screens - Printing Jobs and Storing Jobs. The following job histories are available.

Screen	Job histories to be displayed
Print Job Log	<ul style="list-style-type: none"> • Printer • E-mail reception • Printing from Document Box • Job Report/List • Printing data from removable memory • Application
Store Job Log	<ul style="list-style-type: none"> • Printer

Displaying Job History Screen

1 Display the screen.

Select the [Status/Job Cancel] key.

2 Select the job to check details.

Select the [Log] tab, and select the job to check details from the list.

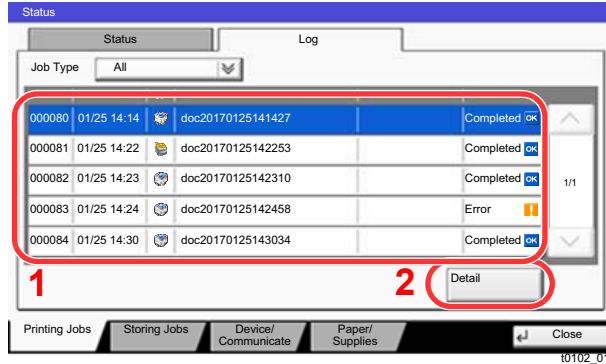
Checking the Detailed Information of Histories

1 Display the screen.

➔ [Displaying Job History Screen \(page 7-7\)](#)

2 Check the information.

1 Select the job to check details from the list, and select [**Detail**].



Detailed information of the selected job is displayed.



NOTE

To check the information of the next/previous page, select [∨] or [∧].

2 To exit from the detailed information, select [**Close**].

Sending the Log History

You can send the log history by E-mail. You can either send it manually as needed or have it sent automatically whenever a set number of jobs is reached.

➔ [Send Log History \(page 8-27\)](#)

Job Operation

Pause and Resumption of Jobs

Pause/resume all printing jobs in printing/waiting.

1 Display the screen.

Select the [Status/Job Cancel] key.

2 Select [Pause All Print Jobs] on the printing jobs status screen.

Printing is paused.

When resuming the printing of jobs that have been paused, select [Resume All Print Jobs].

Canceling of Jobs

A job in printing/waiting status can be canceled.

1 Display the screen.

Select the [Status/Job Cancel] key.

2 Select the job to be canceled from the list, and select [Cancel].

3 Select [Yes] in the confirmation screen.

Priority Override for Waiting Jobs

Priority Override function suspends the current job and prints the job in waiting first.

1 Display the screen.

Select the [Status/Job Cancel] key.

2 Select [Printing Jobs].

3 Select the job to be given priority, and select [Priority Override].

4 Select [Yes] in the confirmation screen.

The current job in printing is suspended, and the job for override.

Reordering Print Jobs

This function allows you to select a queued print job and raise its output priority.

1 Display the screen.

Select the **[Status/Job Cancel]** key.

2 Select [Printing Jobs].

3 Select the job to be assigned a higher priority and select [Move Up].

The priority of the selected job is increased by 1.

To further raise the job's priority, select **[Move Up]** again. Each time you select **[Move Up]**, the priority increases by 1.

Device/Communication

Configure the devices/lines installed or connected to this machine or check their status.

1 Display the screen.

1 Select the [**Status/Job Cancel**] key.

2 Select [**Device/Communicate**].

The screen to check the status or configure the devices is displayed.

2 Check the status.

The items you can check are described below.

"Printer"

Error information such as paper jam, out of toner, or out of paper, and status such as waiting or printing are displayed.

"Removable Memory (USB Memory)"

- The usage, capacity and free space of the external media connected to this machine are displayed.
- Select [**Format**] to format external media.



IMPORTANT

When [Format**] is selected, all data in the external media is erased.**

- Select [**Remove**] to safely remove the external media.

"Hard Disk"

The information such as formatting, overwriting for erasure, and error occurrence is displayed.

"Connectivity"

The network connection status and the status of the optional keyboard are displayed.

Checking the Remaining Amount of Toner and Paper (Paper/Supplies)

Check the remaining amount of toner, and paper on the touch panel.

1 Display the screen.

- 1 Select the [Status/Job Cancel] key.
- 2 Select [Paper/Supplies].

2 Check the status.

The items you can check are described below.

"Toner Information"

The amount of toner remaining is shown in levels. And you can check the status of waste toner box.

"Paper Status"

You can check the size, orientation, type, and remaining amount of paper in each paper source. The amount of paper remaining is shown in levels.

"Others"

You can check the status of staples and punch waste box.

8 Setup and Registration (System Menu)

This chapter explains the following topics:

System Menu	8-2
Operation Method	8-2
System Menu Settings	8-3
Counter	8-6
Cassette/MP Tray Settings	8-6
Common Settings	8-9
Home	8-22
Document Box/Removable Memory	8-22
Printer	8-23
Report	8-26
System/Network	8-30
User Login/Job Accounting	8-49
User Property	8-50
Date/Timer/Energy Saver	8-50
Adjustment/Maintenance	8-53
Internet	8-55
Application	8-55

System Menu

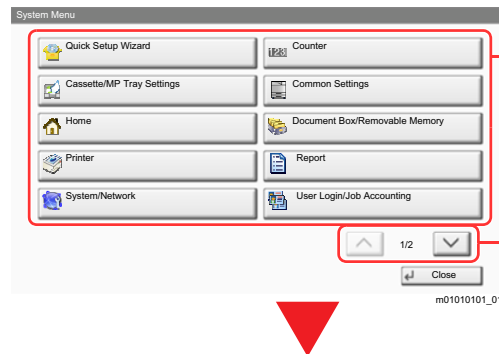
Configure settings related to overall machine operation.

Operation Method

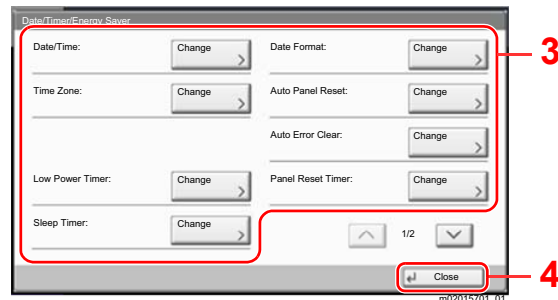
1 Display the screen.

Select the [System Menu/Counter] key.

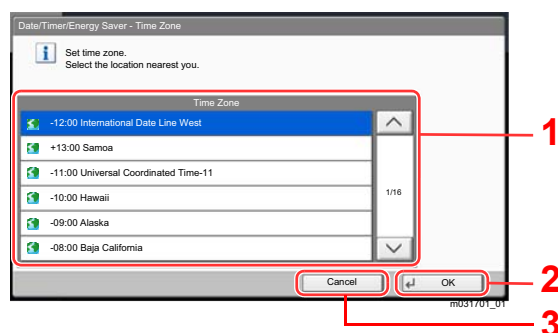
2 Select a function.



- 1 Displays the System Menu items.
- 2 Scrolls up and down when the list of values cannot be displayed in its entirety on a single screen.
- 3 Displays setting items
Select the key of a function to display the setting screen.
- 4 Returns to the previous screen.



3 Configure the function.



- 1 Enter a setting by selecting it.
- 2 Accepts the settings and exits.
- 3 Returns to the previous screen without making any changes.

NOTE

- In order to change settings that require administrator privileges, you must log in with administrator privileges. The factory default login user name and login password are set as shown below.

Login User Name: 6000

Login Password: 6000

- If function default settings have been changed, the [Reset] key can be selected in each function screen to immediately change the settings.

Refer to System Menu Settings on the following page and configure as needed.

System Menu Settings

This section explains the functions that can be configured in System Menu. To configure the settings, select the item in System Menu and select the setting item. For details on each function, see the table below.

Item	Description	Reference Page
Quick Setup Wizard	The Quick Setup Wizard configures Network and Energy Saver settings.	page 2-37
Counter	Check the number of sheets printed.	page 2-48
Cassette/MP Tray Settings	Select paper size and media type for Cassettes and multipurpose tray.	page 8-6
Cassette 1 (to 5)	Select type of paper in Cassette 1 (to 5).	page 8-6
MP Tray Setting	Select type of paper in multipurpose tray.	page 8-7
Common Settings	Configure overall machine operation.	page 8-9
Language	Set the language to use for the touch panel display.	page 8-9
Default Screen	Select the screen appearing right after start-up (default screen).	page 8-9
Buzzer	Set options for buzzer sound during the machine operations.	page 8-9
Paper Settings	Configure settings for paper.	page 8-10
Measurement	Select inch or metric for the unit for paper dimensions.	page 8-12
Error Handling	Select whether to cancel or continue the job when error has occurred.	page 8-13
Paper Output	Select the output tray respectively for print jobs from Document Box and computers.	page 8-14
Function Key Assignment	Assign a function to each function key.	page 8-15
Function Defaults	Defaults are the values automatically set after the warm-up is completed or the [Reset] key is selected. Set the defaults for available settings. Setting the frequently-used values as defaults makes subsequent jobs easier.	page 8-15
Keyboard Layout	Change the layout of the touch panel keyboard used to enter characters.	page 8-16
Optional Keyboard Type	Select the type of optional keyboard that you want to use.	page 8-16
System Stamp	Configure settings for header, footer, and stamp.	page 8-16
Manual Staple	Select whether to use Manual Staple.	page 8-18
Offset Documents by Job	Select whether to offset documents by Job.	page 8-18
Low Toner Alert Level	Set the amount of remaining toner to notify the administrator when to order a toner when the toner is running low.	page 8-19
Toner Waste Full Alert	Set the capacity of the waste toner box for which you require notification to be sent that the waste toner box is going to be full.	page 8-19

Item	Description	Reference Page
Offset One Page Documents	Set whether one-page documents are sorted.	page 8-19
Display Status/Log	Set the display method of the Status/Log.	page 8-20
Message Banner Print	Set whether the confirmation screen appears before each sheet is printed when printing multiple banner sheets.	page 8-20
Customize Status Display	Select the item that appears for the printing jobs status.	page 8-20
Message Board Settings	Configure settings for message board.	page 8-21
Numeric Keypad Settings	Select whether or not to display the numeric keypad.	page 8-21
Show Power Off Message	Select whether the confirmation message is displayed, when Power Switch is pressed.	page 8-22
Home	Configure settings for Home screen.	page 8-22
Document Box/Removable Memory	Configures settings related to the Custom Box and Job Box.	page 8-22
Printer	Printing from computers, settings are generally made on the application software screen. However, the following settings are available for configuring the defaults to customize the machine.	page 8-23
Report	Print reports to check the machine settings, status, and history. Settings for printing reports can also be configured.	page 8-26
Print Report	Configure settings for printing reports and histories.	page 8-26
Sending Log History		page 8-27
Login History Settings		page 8-27
Device Log History Settings		page 8-28
Secure Comm. Error Log		page 8-29

Item	Description	Reference Page
System/Network	Configure machine system settings.	page 8-30
Network	Configures network settings.	page 8-30
Optional Network	Configure settings for the optional Network Interface Kit.	page 8-42
Primary Network (Client)	Select the network interface to be used for the connection when this machine functions as a client.	page 8-45
Security Level	The Security Level setting is primarily a menu option used by service personnel for maintenance work. There is no need for customers to use this menu.	—
Interface Block Setting	This allows you to protect this machine by blocking the interface with external devices such as USB hosts or optional interfaces.	page 8-46
Data Security	Configure settings for data stored in the SSD, hard disk, and machine's memory.	page 8-47
Optional Function	You can use the optional applications installed on this machine.	page 8-48
Bluetooth Settings	Set the Bluetooth keyboard.	page 8-48
Restart Entire Device	Restart the CPU without turning the power switch off. Use this to deal with any unstable operation by the machine. (Same as the computer restart.)	page 8-49
NFC	Set NFC (Near Field Communication).	page 8-49
User Login/Job Accounting	Configures settings related to machine management. User Login: ➔ Overview of User Login Administration (page 9-2) Job Accounting: ➔ Overview of Job Accounting (page 9-20)	—
User Property	Allows you to view information about logged in users and edit some of that information.	page 8-50
Date/Timer/Energy Saver	Configures settings related to the date and time.	page 8-50
Adjustment/Maintenance	Adjust printing quality and conduct machine maintenance.	page 8-53
Internet	Configure settings related to the internet.	page 8-55
Application	Configure settings for Application.	page 8-55

Counter

[System Menu/Counter] key > [Counter]

Check the number of sheets printed.

Cassette/MP Tray Settings

Select paper size and media type for Cassettes and multipurpose tray.

Cassette 1 (to 5)

[System Menu/Counter] key > [Cassette/MP Tray Settings] > [Cassette 1 (to 5)]

Select paper size and media type for Cassettes 1 to 5.

Selection Item		Selectable Size/Type
Paper Size ^{*1}	Auto	Paper size is automatically detected and selected. Values: Metric, Inch
	Standard Sizes 1	Available options are as follows: Values Metric models: A3 ^{*2*3} , A4-R ^{*3} , A4 ^{*3} , A5-R ^{*3} , A5 ^{*3} , A6-R ^{*3} , B4 ^{*2*3} , B5-R ^{*3} , B5 ^{*3} , B6-R ^{*3} , Folio ^{*3} , 216×340 mm ^{*3} , SRA3 ^{*2*3} Inch models: Ledger ^{*2*3} , Letter-R ^{*3} , Letter ^{*3} , Legal ^{*3} , Statement-R ^{*3} , Executive, 12×18" ^{*2*3} , Oficio II
	Standard Sizes 2	Select from standard sizes except Standard Sizes 1. Values Metric models: Ledger ^{*2*3} , Letter-R ^{*3} , Letter ^{*3} , Legal ^{*3} , Statement-R ^{*3} , Executive, 12×18" ^{*2*3} , Oficio II, 8K ^{*2} , 16K-R, 16K Inch models: A3 ^{*2*3} , A4-R ^{*3} , A4 ^{*3} , A5-R ^{*3} , A5 ^{*3} , A6-R ^{*3} , B4 ^{*2*3} , B5-R ^{*3} , B5 ^{*3} , B6-R ^{*3} , Folio ^{*3} , 8K ^{*2} , 16K-R, 16K, 216×340 mm ^{*3} , SRA3 ^{*2*3}
	Others	Select from special standard sizes and custom sizes. Values: ISO B5, Envelope #10, Envelope #9, Envelope #6, Envelope Monarch, Envelope DL, Envelope C5, Envelope C4 ^{*2} , Hagaki (Cardstock), Oufuku hagaki (Return postcard), Youkei 4, Youkei 2

Selection Item		Selectable Size/Type
Paper Size	Size Entry	Enter the size not included in the standard size. Values Cassette 1 Metric X: 148 to 356 mm (in 1mm increments) Y: 98 to 297 mm (in 1mm increments) Inch X: 5.83 to 14.02" (in 0.01" increments) Y: 3.86 to 11.69" (in 0.01" increments) Cassette 2 to 4 Metric X: 148 to 457 mm (in 1mm increments) Y: 98 to 320 mm (in 1mm increments) Inch X: 5.83 to 18.00" (in 0.01" increments) Y: 3.86 to 12.60" (in 0.01" increments)
Media Type ^{*4}		Select the media type. Values: Plain (60 - 105 g/m ²), Rough, Vellum (60 - 105 g/m ²), Recycled, Preprinted ^{*5} , Bond, Cardstock ^{*6} , Color, Prepunched ^{*5} , Letterhead ^{*5} , Envelope ^{*6} , Thick (106 - 163 g/m ²), High Quality, Custom 1 - 8

*1 When the optional Large Capacity Feeder (1,500-sheet×2) or Side Feeder (3,000-sheet) is used, paper size does not appear.

*2 Not displayed in Cassette 1.

*3 Paper size is automatically detected in the cassette.

*4 To change to a media type other than "Plain".

➔ [Media Type Setting \(page 8-12\)](#)

When a paper weight that cannot be loaded in the cassette is set for a media type, that media type does not appear.

*5 To print on preprinted or prepunched paper or on letterhead.

➔ [Special Paper Action \(page 8-11\)](#)

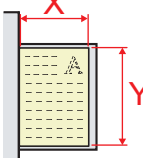
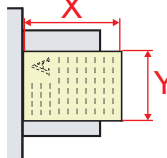
*6 Not displayed in the optional Large Capacity Feeder (1,500-sheet×2) or Side Feeder (3,000-sheet).

MP Tray Setting

[System Menu/Counter] key > [Cassette/MP Tray Settings] > [MP Tray Setting]

Select paper size and media type for the multipurpose tray.

Item		Description
Paper Size	Auto	Paper size is automatically detected and selected. Values: Metric, Inch
	Standard Sizes 1	Available options are as follows: Values Metric models: A3 ^{*1} , A4-R ^{*1} , A4 ^{*1} , A5-R ^{*1} , A5, A6-R ^{*1} , B4 ^{*1} , B5-R ^{*1} , B5 ^{*1} , B6-R ^{*1} , Folio, 216×340 mm, SRA3 ^{*1} Inch models: Ledger ^{*1} , Letter-R ^{*1} , Letter ^{*1} , Legal ^{*1} , Statement-R ^{*1} , Executive, 12×18 ^{**1} , Oficio II

Item	Description
Paper Size	Standard Sizes 2 Select from standard sizes except Standard Sizes 1. Values Metric models: Ledger ^{*1} , Letter-R ^{*1} , Letter ^{*1} , Legal ^{*1} , Statement-R ^{*1} , Executive, 12×18 ^{*1} , Oficio II, 8K, 16K-R, 16K Inch models: A3 ^{*1} , A4-R ^{*1} , A4 ^{*1} , A5-R ^{*1} , A5, A6-R ^{*1} , B4 ^{*1} , B5-R ^{*1} , B5 ^{*1} , B6-R ^{*1} , Folio ^{*1} , 8K, 16K-R, 16K, 216×340 mm, SRA3 ^{*1}
	Others Select from special standard sizes and custom sizes. Values: ISO B5, Envelope #10, Envelope #9, Envelope #6, Envelope Monarch, Envelope DL, Envelope C5, Envelope C4, Hagaki (Cardstock) ^{*1} , Oufuku hagaki (Return postcard), Youkei 4, Youkei 2
	Size Entry Enter the size not included in the standard size. Values Metric X: 148 to 457 mm (in 1mm increments) Y: 98 to 320 mm (in 1mm increments) Inch X: 5.83 to 18.00" (in 0.01" increments) Y: 3.86 to 12.60" (in 0.01" increments) X=Length, Y=Width <div style="display: flex; justify-content: space-around; align-items: center;"> <div style="text-align: center;"> <p>Vertical</p>  </div> <div style="text-align: center;"> <p>Horizontal</p>  </div> </div>
Media Type^{*2}	Select the media type. Values: Plain (60 to 105 g/m ²), Transparency, Rough, Vellum (52 to 105 g/m ²), Labels, Recycled, Preprinted ^{*3} , Bond, Cardstock, Color, Prepunched ^{*3} , Letterhead ^{*3} , Envelope, Thick (106 to 300 g/m ²), Coated, High Quality, Index Tab Dividers, Custom 1-8

*1 Paper size is automatically detected in the Multipurpose Tray.

*2 To change to a media type other than "Plain".

➔ [Media Type Setting \(page 8-12\)](#)

*3 To print on preprinted or prepunched paper or on letterhead.

➔ [Special Paper Action \(page 8-11\)](#)

Common Settings

Configures overall machine operation.

Language

[System Menu/Counter] key > [Common Settings] > [Language]

Item	Description
Language	Set the language to use for the touch panel display.

Default Screen

[System Menu/Counter] key > [Common Settings] > [Default Screen]

Item	Description
Default Screen	Select the screen appearing right after start-up (default screen). Value: Home, Status, Custom Box, Job Box, Removable Memory, Program, Internet Browser ^{*1} , Application Name ^{*2}

*1 Configure necessary settings for Internet Browser.

➔ [Internet \(page 8-55\)](#)

*2 The running application will be displayed.

➔ [Application \(page 5-9\)](#)

Buzzer

[System Menu/Counter] key > [Common Settings] > [Buzzer]

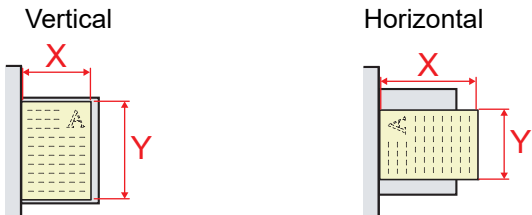

Set options for buzzer sound during the machine operations.




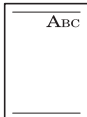
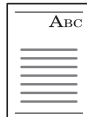



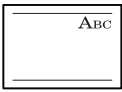



Item	Description
Volume	Set the buzzer volume level. Value: 0 (Mute), 1 (Minimum), 2, 3 (Medium), 4, 5 (Maximum)
Key Confirmation	Emit a sound when the operation panel and touch panel keys are selected. Value: Off, On
Job Finish	Emit a sound when a print job is normally completed. Value: Off, On
Ready	Emit a sound when the warm-up is completed. Value: Off, On
Warning	Emit a sound when errors occur. Value: Off, On
Optional Keyboard	Emit a sound to confirm keypresses with a sound. Value: Off, On

Paper Settings

[System Menu/Counter] key > [Common Settings] > [Paper Settings]

Configure settings for paper.

Item	Description
Media Type Setting	Select weight for each media type. For Custom 1-8, settings for duplex printing and media type name can be changed. ➔ Media Type Setting (page 8-12)
Custom Paper Size	Set up frequently-used custom paper size. The custom size option is displayed on the screen to select paper size in the multipurpose tray. To register a custom paper size, press [On] and enter the desired size. Up to four custom paper sizes can be added. Value Metric X: 148 to 457 mm (in 1 mm increments) Y: 98 to 320 mm (in 1 mm increments) Inch X: 5.83 to 18.00" (in 0.01" increments) Y: 3.86 to 12.60" (in 0.01" increments) X=Length, Y=Width <div style="text-align: center;">  </div> Media Type: Plain, Transparency, Rough, Vellum, Labels, Recycled, Preprinted, Bond, Cardstock, Color, Prepunched, Letterhead, Thick, Envelope, Coated, High Quality, Index Tab Dividers, Custom 1-8
Default Paper Source	Select the default paper source from Cassette 1-5 and multipurpose tray. Value: Cassette 1 (to 5), Multipurpose Tray  NOTE [Cassette 3] to [Cassette 5] are displayed when the following optional paper feeder is installed. [Cassette 3]: When a paper feeder (500-sheet×2) or large capacity paper feeder (1,500-sheet×2) is installed. [Cassette 4]: When a paper feeder (500-sheet×2) or large capacity paper feeder (1,500-sheet×2) is installed. [Cassette 5]: When a side feeder (3,000-sheet) is installed.
Auto Switch	When the optional large capacity feeder is selected, the cassette can be switched to another large capacity feeder depending on your usage. Value: Off, On

Item	Description
<p>Show Paper Setup Message</p> <p>Cassette 1 to 5</p> <p>Multipurpose Tray</p>	<p>Set whether to display the confirmation screen for the paper setting when a new paper is set for each cassette.</p> <p>Value: Off, On</p> <p> NOTE</p> <p>[Cassette 3] to [Cassette 5] are displayed when the following optional paper feeder is installed.</p> <p>[Cassette 3]: When a paper feeder (500-sheet×2) or large capacity paper feeder (1,500-sheet×2) is installed.</p> <p>[Cassette 4]: When a paper feeder (500-sheet×2) or large capacity paper feeder (1,500-sheet×2) is installed.</p> <p>[Cassette 5]: When a side feeder (3,000-sheet) is installed.</p>
<p>Paper Source for Cover</p>	<p>Select the paper source in which the cover paper used for the Cover function is placed.</p> <p>Value: Cassette 1 (to 5), Multipurpose Tray</p> <p> NOTE</p> <p>[Cassette 3] to [Cassette 5] are displayed when the following optional paper feeder is installed.</p> <p>[Cassette 3]: When a paper feeder (500-sheet×2) or large capacity paper feeder (1,500-sheet×2) is installed.</p> <p>[Cassette 4]: When a paper feeder (500-sheet×2) or large capacity paper feeder (1,500-sheet×2) is installed.</p> <p>[Cassette 5]: When a side feeder (3,000-sheet) is installed.</p>
<p>Special Paper Action</p>	<p>When printing on Prepunched, Preprint, and Letterhead, the punch-holes might not be aligned or the print direction might be upside-down depending on the direction of the document and the combination of print functions. In such a case, select [Adjust Print Direction] to adjust the print direction. When paper orientation is not important, select [Speed Priority].</p> <p>If [Adjust Print Direction] is selected, load paper according to the steps below.</p> <p>Example: printing on Letterhead</p> <div style="display: flex; justify-content: space-around; align-items: flex-end;"> <div style="text-align: center;">  <p>Original</p> </div> <div style="text-align: center;">  <p>Paper</p> </div> <div style="text-align: center;">  <p>Finished</p> </div> <div style="text-align: center;">  <p>Cassette</p> </div> <div style="text-align: center;">  <p>Multipurpose Tray</p> </div> </div> <div style="display: flex; justify-content: space-around; align-items: flex-end; margin-top: 20px;"> <div style="text-align: center;">  <p>Original</p> </div> <div style="text-align: center;">  <p>Paper</p> </div> <div style="text-align: center;">  <p>Finished</p> </div> <div style="text-align: center;">  <p>Cassette</p> </div> <div style="text-align: center;">  <p>Multipurpose Tray</p> </div> </div> <p>Value: Adjust Print Direction, Speed Priority</p>

Media Type Setting

The following media type and paper weight combinations are available.

Paper Weight	Weight (g/m ²)	Paper Weight	Weight (g/m ²)
Light ^{*1}	52 g/m ² to 59 g/m ²	Heavy 2 ^{*1}	136 g/m ² to 163 g/m ²
Normal 1	60 g/m ² to 74 g/m ²	Heavy 3 ^{*1}	164 g/m ² to 220 g/m ²
Normal 2	75 g/m ² to 90 g/m ²	Heavy 4 ^{*1}	221 g/m ² to 256 g/m ²
Normal 3	91 g/m ² to 105 g/m ²	Heavy 5 ^{*1}	257 g/m ² to 300 g/m ²
Heavy 1 ^{*1}	106 g/m ² to 135 g/m ²	Extra Heavy ^{*1}	Transparencies

*1 The processing speed will be slower than normal.

Each media type's default weight is indicated.

Media Type	Default	Media Type	Default
Plain	Normal 2	Prepunched	Normal 2
Rough	Normal 3	Letterhead	Normal 2
Vellum	Heavy 1	Envelope	Heavy 3
Labels	Heavy 2	Thick	Heavy 3
Recycled	Normal 2	High Quality	Normal 2
Preprinted	Normal 2	Coated	Heavy 1
Bond	Normal 3	Index Tab Dividers	Heavy 4
Cardstock	Heavy 4	Custom 1 - 8	Normal 2
Color	Normal 3		

For Custom 1-8, settings for duplex printing and media type name can be changed.

Item		Description
Duplex Print	Prohibit	Duplex printing allowed.
	Permit	Duplex printing not allowed.
Name		Change names for Custom 1-8. Names should be not more than 16 characters. Selecting media type at multipurpose tray, the name after change will be displayed. ▶ Character Entry Method (page 11-9)

Measurement

[System Menu/Counter] key > [Common Settings] > [Measurement]


Item	Description
Measurement	Select inch or metric for the unit for paper dimensions. Value: mm, inch

Error Handling

[System Menu/Counter] key > [Common Settings] > [Error Handling]


Select whether to cancel or continue the job when error has occurred.

Item	Description
Duplexing Error	Set what to do when duplex printing is not possible for the selected paper sizes and media types. Value 1-sided: Printed in 1-sided Display Error: Message to cancel printing is displayed.
Finishing Error	Set alternative actions when finishing (Staple/Punch/Offset) is not available for the selected paper size or media type. Value Ignore: The setting is ignored and the job is printed. Display Error: Message to cancel printing is displayed.
No Staple Error	Set what to do when staples run out during printing. Value Ignore: Printing continues without stapling. Display Error: Message to cancel printing is displayed.  NOTE Requires the optional Document Finisher.
Finished Pages Exceeded	Set what to do when finishing (stapling or offsetting) capacity is exceeded during printing. Value Ignore: Printing continues without finishing. Display Error: Message to cancel printing is displayed.  NOTE Requires the optional Document Finisher.
Punch Waste Full Error	Set what to do when the punch waste box becomes full during printing. Value Ignore: Printing continues without punching. Display Error: Message to cancel printing is displayed.  NOTE Requires the optional Document Finisher and Punch Unit.
Paper Mismatch Error	Set what to do when the selected paper size or type does not match paper size or type loaded in the specified paper source while printing from the computer by specifying the cassette or multipurpose tray. Value Ignore: The setting is ignored and the job is printed. Display Error: Message to cancel printing is displayed.

Item	Description
Inserted Paper Mismatch	<p>Set what to do when it is detected that the multipurpose tray paper size setting does not match the actual paper size that is fed.</p> <p>Value</p> <p>Ignore: The setting is ignored and the job is printed.</p> <p>Display Error: Message to cancel printing is displayed.</p>
Paper Jam before Staple	<p>The page from which printing is resumed when a paper jam occurs during a job with stapling can be selected.</p> <p>Value</p> <p>Resume at Top of Page: Resume printing from the first page of the document.</p> <p>Resume at Jammed Page: Resume printing from the page where the jam occurred.</p> <p> NOTE</p> <p>Requires the optional Document Finisher.</p>

Paper Output

[System Menu/Counter] key > [Common Settings] > [Paper Output]


Item	Description
Paper Output	<p>Select the output tray respectively for print jobs from Document Box and computers.</p> <p>Value:</p> <p>with optional job separator</p> <ul style="list-style-type: none"> • Main Tray: Outputs to the Main Tray of the machine • Job Separator Tray: Delivery to the Job Separator. <p>with optional 1,000-Sheet Finisher</p> <ul style="list-style-type: none"> • Job Separator Tray*¹: Delivery to the Job Separator. • Finisher Tray: Delivery to the Finisher Tray of the optional Document Finisher. <p>with optional 4,000-Sheet Finisher</p> <ul style="list-style-type: none"> • Job Separator Tray*¹: Delivery to the Job Separator. • Tray A: Delivery to the Tray A of the optional Document Finisher • Tray B: Delivery to the Tray B of the optional Document Finisher <p>with optional Mailbox</p> <ul style="list-style-type: none"> • Job Separator Tray*¹: Delivery to the Job Separator. • Tray A: Delivery to the Tray A of the optional Document Finisher • Tray B: Delivery to the Tray B of the optional Document Finisher • Tray 1 to 7: Delivery to tray 1 to 7 (tray 1 is the uppermost tray) of the optional Mailbox <p> NOTE</p> <p>Requires the optional Job Separator or Document Finisher (1,000-Sheet Finisher or 4,000-Sheet Finisher).</p>

*1 The paper sizes cannot be output to the Job Separator Tray: SRA3, 12×18".

Function Key Assignment

[System Menu/Counter] key > [Common Settings] > [Function Key Assignment]

Assign a function to each function key.


Item	Description
Function Key 1	Value: None, Custom Box, Job Box, Removable Memory, Internet Browser, Program ^{*1} , Application ^{*2}  NOTE You can select the functions to be displayed for [All], [Application], [Program] and [Others].
Function Key 2	
Function Key 3	

*1 The registered program will be displayed.

*2 The running application will be displayed.

Function Defaults

[System Menu/Counter] key > [Common Settings] > [Function Defaults]

Item	Description
Zoom	Select the enlarged/reduced default when paper size changed. Value: 100%, Auto
Margin Default	Set the default margin. Value Metric Left/Right: -18 to 18 mm (in 1 mm increments) Top/Bottom: -18 to 18 mm (in 1 mm increments) Inch Left/Right: -0.75 to 0.75" (in 0.01" increments) Top/Bottom: -0.75 to 0.75" (in 0.01" increments)
EcoPrint	Select the EcoPrint default. Value: Off, On
Collate/Offset	Set the defaults for Collate/Offset. Value Collate: Off, On Offset: Off, Each Set (If [Off] is selected of Collate, it is set to [Each Page].)
Toner Save Level (EcoPrint)	Select the default Toner Save Level (EcoPrint). Value: 1 (Low) to 5 (High)  NOTE Raising the level reduces toner consumption, but image quality falls.
File Name Entry	Set an automatically entered name (default) for jobs. Additional information such as Date and Time and Job No. can also be set. Value File Name: Up to 32 characters can be entered. Additional Info: None, Date and Time, Job No., Job No. & Date and Time, Date and Time & Job No.

Item	Description
JPEG/TIFF Print	Select the image size (resolution) when printing JPEG or TIFF file. Value: Fit to Paper Size, Image Resolution, Fit to Print Resolution
XPS Fit to Page	Set the default value for the XPS fit to page function. Value: Off, On

Keyboard Layout

[System Menu/Counter] key > [Common Settings] > [Keyboard Layout]

Item	Description
Keyboard Layout	Change the layout of the touch panel keyboard used to enter characters. Value: QWERTY, QWERTZ, AZERTY

Optional Keyboard Type

[System Menu/Counter] key > [Common Settings] > [Optional Keyboard Type]



Item	Description
Optional Keyboard Type	Select the type of optional keyboard that you want to use. Value: US-English, US-English with Euro, French, German, UK-English

System Stamp

[System Menu/Counter] key > [Common Settings] > [System Stamp]


Item	Description
Basic	Configure settings for stamps.
Text (Text Stamp)	Select [Add/Edit] to edit the test string for a template. Up to 8 templates can be registered. Select [Delete] to delete a template.
Font (Page #)	Set the font size for page numbers when printing them. Value Size 1 to 3: 6.0 to 64.0 pt
Font (Bates Stamp)	When a bates stamp is used, set the font sizes that can be set. Value Size 1 to 3: 6.0 to 64.0 pt
Font (Text Stamp)	Set the font size for stamps when printing them. Value Size 1 to 3: 6.0 to 64.0 pt

Item	Description
Printing Jobs	Configure settings for stamps when a document is printed. After configuring the setting, return to the Custom Box (Printing a Document) screen from System Menu, and select the [Reset] key.
Text Stamp	Select whether to print a text stamp on all printing jobs. Value: Off, On  NOTE When [On] is selected, the Text Stamp settings cannot be changed when printing.
Edit Text Stamp	Set the default text stamp.
Stamp	Select a text string to be stamped from templates, or select [Stamp] and enter a maximum of 32 characters for the text string.  NOTE Templates that have been set will appear. For details on registering templates, refer to the following: ➔ Text (Text Stamp) (page 8-16)
Stamp Method	Select the stamp method for the text stamp. Value: Each Print Page, Each Original Page
Position	Set the text stamp position. Value: Top Left, Top Middle, Top Right, Middle Left, Center, Middle Right, Bottom Left, Bottom Middle, Bottom Right, Detail  NOTE Select [Detail] to specify the detailed stamp position using numeric values, and to set the stamp position and angle when a stamp is placed on the back side of the paper in duplex printing.
Font	Set the font of the text stamp. Value Size: Font sizes registered in Font (Text Stamp) are displayed. ➔ Font (Text Stamp) (page 8-16) Character Border: Off, Circle, Rectangle, Underline Style: None, Bold, Italic, Bold/Italic Font: Courier, Letter Gothic Color: Black, White Density: 10 to 100% (in 10% increments) Display Pattern: Transparent, Clipping, Overwrite


Item	Description
Printing Jobs	
Bates Stamp	<p>Select whether to print a bates stamp on all printing jobs.</p> <p>Value: Off, On</p> <p> NOTE When [On] is selected, the Bates Stamp settings cannot be changed when printing.</p>
Edit Bates Stamp	<p>Set the default Bates Stamp.</p> <p>Value: Date, User Name, Serial Number, Numbering, Text 1, Text 2, Date Format, Numbering Default, Position, Font</p> <p> NOTE To set [Text 1] or [Text 2], select [Change] below and enter a maximum of 32 characters for the text string. To set [Date], select [Date Format] and set the date display format. To set [Numbering], select [Numbering Default] and set the starting sequence number (1 to 9999999). If you select [Fixed Digit Number] > [On], you can set the number of digits of the serial number (1 to 7 digits). Select [Detail] in "Position" to specify the detailed stamp position using numeric values, and to set the stamp position to be placed on the back side of the paper in duplex printing.</p>

Manual Staple

[System Menu/Counter] key > [Common Settings] > [Manual Staple]


 **NOTE**

Only displayed when the optional 4,000-Sheet Finisher is installed.

Item	Description
Manual Staple	<p>Select whether to use Manual Staple.</p> <p>Value: Off, On</p> <p> NOTE If you selected [On], set the time until manual stapling mode is automatically cancelled. The setting range is 5 to 60 seconds (in 5-second increments).</p>
Staple Position	<p>Set the default Staple Position.</p> <p>Value: A4, Letter</p>


Offset Documents by Job

[System Menu/Counter] key > [Common Settings] > [Offset Documents by Job]

Item	Description
Offset Documents by Job	<p>Select whether to offset documents by Job.</p> <p>Value: Off, On</p> <p> NOTE This function is displayed when an optional Document Finisher is installed.</p>



Low Toner Alert Level

[System Menu/Counter] key > [Common Settings] > [Low Toner Alert Level]

Item	Description
Low Toner Alert	<p>Set the amount of remaining toner to notify the administrator when to order a toner when the toner is running low.</p> <p>This notification is used for event report, Status Monitor, SNMP Trap.</p> <p>Value: Off, On</p> <p> NOTE</p> <p>If [On] is selected, set the amount of remaining toner to alert. The setting range is 5 to 100% (in 1% increments).</p>


Toner Waste Full Alert

[System Menu/Counter] key > [Common Settings] > [Toner Waste Full Alert]

Item	Description
Toner Waste Full Alert	<p>Notifies the user or the administrator when the waste toner box is almost full. Set the notification timer based on the amount of toner in the waste toner box.</p>
Notify via Operation Panel	<p>Notifies you via the Operation Panel when the waste toner box is almost full.</p> <p>Value: Off, On</p> <p> NOTE</p> <p>If [On] is selected, set the notification timer based on the amount of toner in the waste toner box. The setting range is 10 to 90% (in 10% increments).</p>
Notify Externally (for administration use)	<p>Notifies the administrator when the waste toner box is almost full. This notification is used for the Event Report, Status Monitor, SNMP Trap (Printer Management System etc.).</p> <p>Value: Off, On</p> <p> NOTE</p> <p>If [On] is selected, set the notification timer based on the amount of toner in the waste toner box. The setting range is 10 to 90% (in 10% increments).</p>

Offset One Page Documents

[System Menu/Counter] key > [Common Settings] > [Offset One Page Documents]

Item	Description
Offset One Page Documents	<p>Set whether one-page documents are sorted.</p> <p>Value: Off, On</p> <p> NOTE</p> <p>This function is displayed when an optional Document Finisher is installed.</p>

Display Status/Log

[System Menu/Counter] key > [Common Settings] > [Display Status/Log]

Set the display method of the Status/Log.

Item	Description
Display Jobs Detail Status	Value: Show All, My Jobs Only, Hide All
Display Jobs Log	Value: Show All, My Jobs Only, Hide All

Message Banner Print

[System Menu/Counter] key > [Common Settings] > [Message Banner Print]

Item	Description
Message Banner Print	Set whether the confirmation screen appears before each sheet is printed when printing multiple banner sheets. Value: Off, On

Customize Status Display

[System Menu/Counter] key > [Common Settings] > [Customize Status Display]

Set the items that appear in the status screens for printing jobs and storing jobs.

Item	Description
Printing Jobs Column 1	Value: Job Name, User Name, Print Pages x Copies, Total Printed Pages
Printing Jobs Column 2	Value: Job Name, User Name, Print Pages x Copies, Total Printed Pages
Storing Jobs Column 1	Value: Job Name, User Name, Original Pages, Color/Black & White
Storing Jobs Column 2	Value: Job Name, User Name, Original Pages, Color/Black & White

Message Board Settings

[System Menu/Counter] key > [Common Settings] > [Message Board Settings]

Item	Description
Message Board	Select whether to use the Message Board. Value: Off, On
Message List	Configure settings for the registered message board.
Add	Add a new message board.
Device to Show	Select where to show the message. Value Hide: Displays no message. Operation Panel: Displays a message on the operation panel. Embedded Web Server: Displays a message in Command Center RX. Panel + Web Server: Displays a message in the operation panel and the Command Center RX.
Message Type	Select the message type. Value: Normal, Alert, Prohibition
Place to Show	Select where to show the message in the touch panel. Value: Login Screen: Login screen of user login administration Home Screen: Home Screen Login Screen+Home Screen: Login screen and Home screen of user login administration
Priority Show	Displays the message on the message board. Value: Off, On
Title	Enter a maximum of 30 characters for the title to display on the message board.
Body	Enter a maximum of 300 characters for the body to display on the message board.
Delete	Deletes the message board selected on the list.
Raise Priority	Raise the priority of the message board selected on the list.
Lower Priority	Lower the priority of the message board selected on the list.
Detail/Edit	Display information on the selected message board.

Numeric Keypad Settings

[System Menu/Counter] key > [Common Settings] > [Numeric Keypad Settings]

Item	Description
Default Display	Print from Box Select whether or not to display the numeric keypad. Value: Off, On
	HyPAS Application
Layout (HyPAS Application)	Select the HyPAS numeric keypad layout to display upon startup. Value: Floating, Horizontal, On the Right

Show Power Off Message

[System Menu/Counter] key > [Common Settings] > [Show Power Off Message]

Item	Description
Show Power Off Message	Set the mode whether display a confirmation message in power supply off. Value: Off, On

Home

[System Menu/Counter] key > [Home]



Configure settings for Home screen.

➔ [Editing the Home Screen \(page 2-14\)](#)

Document Box/Removable Memory

[System Menu/Counter] key > [Document Box/Removable Memory]

Configures settings related to the Custom Box and Job Box.



Item	Description
Custom Box	Configure settings for Custom Box.
Add/Edit Box	➔ Creating a New Custom Box (page 5-21)
Default Setting	Auto File Deletion Time Set the time to automatically delete stored documents.
Job Box	Configure settings for Job Box.
Quick Copy Job Retention	To maintain free space on the hard disk, you can set the maximum number of stored jobs. Value: number between 0 and 300  NOTE When 0 is set, Quick Copy cannot be used.
Deletion of Job Retention	This setting specifies that documents, such as Private Printing, Quick Copying, or Proof and Hold Printing, saved temporarily in the job box are automatically deleted after they have been saved for a set time. Value: Off, 1 hour, 4 hours, 1 day, 1 week  NOTE This function is valid for documents saved after the function is set. Regardless of this function setting, temporary documents are deleted when the power switch is turned off.
Quick Setup Registration	Select the functions to be registered for Quick Setup. Six keys of the Quick Setup screen are allocated to typical functions but can be changed as necessary. Six items in the following options are available. Paper Selection, Collate/Offset, Staple/Punch*1, Duplex, Combine, Delete after Printed Value: Off, Key 1 to 6



*1 Display only when an optional Document Finisher is installed. When a punching unit is not installed, this item name is "Staple".


Printer

[System Menu/Counter] key > [Printer]

Printing from computers, settings are generally made on the application software screen. However, the following settings are available for configuring the defaults to customize the machine.

Item	Description
Emulation	<p>Select the emulation for operating this machine by commands oriented to other types of printers.</p> <p>Value: PCL6, KPDL, KPDL (Auto)</p> <p> NOTE</p> <p>When you have selected [KPDL (Auto)], set "Alt Emulation", too.</p> <p>When you have selected [KPDL] or [KPDL (Auto)], set "KPDL Error Report", too.</p>
Alt Emulation	<p>When you have selected [KPDL (Auto)] as emulation mode, you can switch between KPDL and another emulation mode (alternative emulation) automatically according to the data to print.</p> <p>Value: PCL6</p>
KPDL Error Report	<p>When an error has occurred during printing in KPDL emulation mode, set whether or not the error report is output.</p> <p>Value: Off, On</p>
EcoPrint	<p>EcoPrint conserves toner when printing. This is recommended for test copies where faded printing is not a problem.</p> <p>Value: Off, On</p>
Toner Save Level (EcoPrint)	<p>Select the default Toner Save Level (EcoPrint).</p> <p>Value: 1 (Low) to 5 (High)</p> <p> NOTE</p> <p>Raising the level reduces toner consumption, but image quality falls.</p>
Override A4/Letter	<p>Select whether to treat A4 size and Letter, which are similar in size, as the same size when printing.</p> <p>Value</p> <p>Off: A4 and Letter are not regarded as the same in size.</p> <p>On: A4 and Letter are regarded as the same in size. The machine will use whichever size is in the paper source.</p>
Duplex	<p>Select binding orientation for duplex mode.</p> <p>Value: 1-sided, 2-sided Bind LongEdge, 2-sided Bind ShortEdge</p>
Copies	<p>Set the default number of copies, from 1 to 999.</p> <p>Value: 1 to 999 copies</p>
Orientation	<p>Set the default orientation, [Portrait] or [Landscape].</p> <p>Value: Portrait, Landscape</p>
Form Feed TimeOut	<p>Receiving print data from the computer, the machine may sometimes wait if there is no information signaling that the last page does not have any more data to be printed. When the preset timeout passes, the machine automatically prints paper. The options are between 5 and 495 seconds.</p> <p>Value: 5 to 495 seconds (in 5 second increments)</p>

Item	Description
LF Action	Set the line feed action when the machine receives the line feed code (character code 0AH). Value: LF Only, LF and CR, Ignore LF
CR Action	Set the character return action when the machine receives the character return code (character code 0DH). Value: CR Only, LF and CR, Ignore CR
Job Name	Set whether the job name set in the printer driver is displayed. Value: Off, On  NOTE When selecting [On], select the job name to be displayed from [Job Name], [Job No. & Job Name], or [Job Name & Job No.].
User Name	Set whether the user name set in the printer driver is displayed. Value: Off, On
Paper Feed Mode	While printing from the computer, select how to feed paper when the paper source and type are specified. Value Auto: Search the paper source that matches the selected paper size and type. Fixed: Print on paper loaded in the specified paper source.
MP Tray Priority	If paper is set in the MP Tray then it is possible for priority to be given to that MP tray in the paper feed. Value Off: The printer driver settings are followed. Auto Feed: If Auto is selected in the printer driver and there is paper in the MP tray then the paper feed will be from the MP tray. Always: If there is paper in the MP tray then the paper feed will be from the MP tray regardless of what is set in the printer driver.
Auto Cassette Change	Select the following actions when the paper runs out in the paper source while printing. Value: Off, On  NOTE <ul style="list-style-type: none"> • When selecting [Off], the machine displays "Add the following paper in cassette #." (# is a cassette number) or "Add the following paper in the multipurpose tray.", and stops printing. • Load the paper according to the paper source displayed to resume printing. • To print from the other paper cassette, select [Paper Selection]. Select the desired paper source. • When selecting [On], the machine continues printing automatically when the other cassette contains the same paper as the currently-used cassette.
Wide A4	Turn this to on to increase the maximum number of characters that can be printed in a line for an A4 page (78 characters at 10 pitch) and Letter size page (80 characters at 10 pitch). This setting is only effective in PCL6 emulation. Value: Off, On

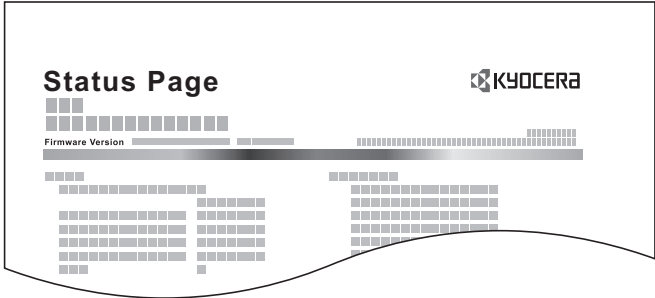
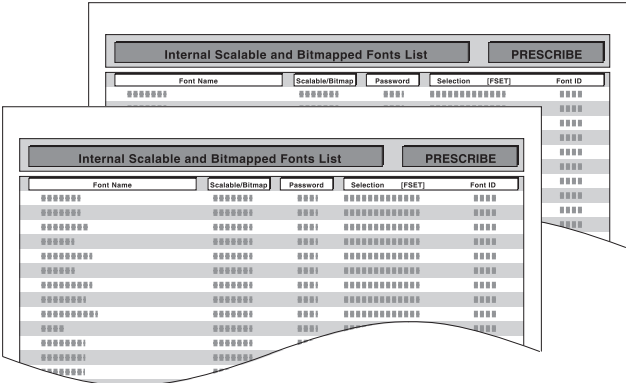
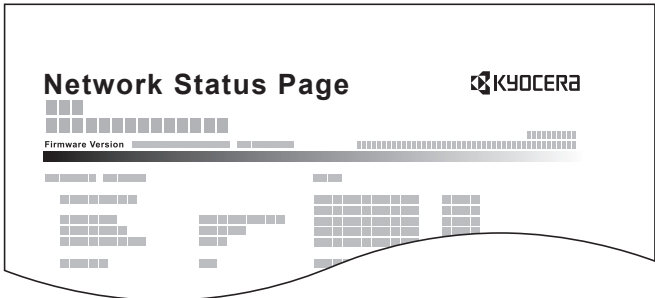
Item	Description
Resolution	Set the resolution used for printing. Value: 600 dpi, 1200 dpi  NOTE Settings that are received from the printer driver have priority over the operation panel settings.
KIR	Select the default KIR (smoothing) setting. Value: Off, On
Printing Job Terminator	You can select the condition which regarded as a job termination if the print job could not be processed until the end due to your environment and the other reason. Value EOJ (End of Job): The command recognized as a termination of the job data is regarded as one job until it is detected. End of Network Session: The data included in a network session at network connection is regarded as one job. UEL (Universal Exit Language): The UEL included in the termination of the job data is regarded as one job until it is detected.


Report

Print reports to check the machine settings, status, and history. Settings for printing reports can also be configured.

Print Report


[System Menu/Counter] key > [Report] > [Print Report]

Item	Description
<p>Status Page</p>	<p>Prints the status page, allowing you to check the information including current settings, available memory space, and optional equipment installed.</p>  <p>The screenshot shows a 'Status Page' header with the KYOCERA logo. Below the header, there are several sections of data represented by horizontal bars and text, including 'Firmware Version'.</p>
<p>Font List</p>	<p>Prints the font list, allowing you to check the font samples installed in the machine.</p>  <p>The screenshot displays the 'Internal Scalable and Bitmapped Fonts List' interface. It features a table with columns for 'Font Name', 'Scalable/Bitmap', 'Password', 'Selection (FSET)', and 'Font ID'. A 'PRESCRIBE' button is visible in the top right corner of the interface.</p>
<p>Network Status</p>	<p>Prints the network status, allowing you to check the information including network interface firmware version, network address and protocol.</p>  <p>The screenshot shows a 'Network Status Page' header with the KYOCERA logo. Below the header, there are sections of data represented by horizontal bars and text, including 'Firmware Version'.</p>
<p>Service Status</p>	<p>Prints the service status. More detailed information is available than on the Status Page. Service personnel usually print the service status pages for maintenance purpose.</p>

Item	Description
Optional Network Status	Prints the optional network status, allowing you to check the information including optional network interface firmware version, network address and protocol.  NOTE This function is displayed when the optional Network Interface Kit or Wireless Network Interface Kit is installed.
Configuration List	Prints the list of settings of the system menu. The settings of this machine can be checked.
Data Sanitization Report	Prints the data sanitization report.



Sending Log History



[System Menu/Counter] key > [Report] > [Sending Log History]

Item	Description
Auto Sending	This function automatically sends the log history to the specified destinations whenever a set number of jobs has been logged. Value: Off, On  NOTE If [On] is selected, specify the number of job histories. The setting range is 1 to 1,500.
Send Log History	You can also send the log history to the specified destinations manually.
Destination	Set the destination to which log histories are sent. Only E-mail address can be set.
Job Log Subject	Set the subject automatically entered when sending log histories by E-mail. Value: Up to 60 characters
Personal Information	Select whether to include personal information in the job log. Value: Include, Exclude

Login History Settings

[System Menu/Counter] key > [Report] > [Login History Settings]

Item	Description
Login History	Select whether to record the Login History. Value: Off, On  NOTE If [On] is selected, set the number of histories to be recorded. The setting range is 1 to 1,000.
Auto Sending	Select whether the login history is automatically sent to the set address when the number of entries reaches the number set in "Login History". Value: Off, On  NOTE This function is displayed when "Login History" is set to [On].

Item	Description
Destination	<p>Set the destination to which login histories are sent. E-mail address only can be set as destination.</p> <p> NOTE This function is displayed when "Login History" is set to [On].</p>
Subject	<p>Set the subject automatically entered when sending login histories by E-mail.</p> <p>Value: Up to 60 characters</p> <p> NOTE This function is displayed when "Login History" is set to [On].</p>
Log Reset	Resets the recorded login histories.

 **NOTE**





If the user authentication screen appears, enter your login user name and login password and select **[Login]**. For this, you need to login with administrator privileges. The factory default login user name and login password are set as shown below.

Login User Name: 6000

Login Password: 6000

Device Log History Settings

[System Menu/Counter] key > [Report] > [Device Log History Settings]

Item	Description
Device Log History	<p>Select whether to record the device log history.</p> <p>Value: Off, On</p> <p> NOTE If [On] is selected, set the number of histories to be stored. The setting range is 1 to 1,000.</p>
Auto Sending	<p>Select whether the device log history is automatically sent to the set address when the number of entries reaches the number set in "Device Log History".</p> <p>Value: Off, On</p> <p> NOTE This function is displayed when "Device Log History" is set to [On].</p>
Destination	<p>Set the destination to which device log histories are sent. E-mail address only can be set as destination.</p> <p> NOTE This function is displayed when "Device Log History" is set to [On].</p>
Subject	<p>Set the subject automatically entered when sending device log histories by E-mail.</p> <p>Value: Up to 60 characters</p> <p> NOTE This function is displayed when "Device Log History" is set to [On].</p>

 **NOTE**





If the user authentication screen appears, enter your login user name and login password and select **[Login]**. For this, you need to login with administrator privileges. The factory default login user name and login password are set as shown below.

Login User Name: 6000

Login Password: 6000

Secure Comm. Error Log

[System Menu/Counter] key > [Report] > [Secure Comm. Error Log]

Item	Description
Secure Comm. Error Log	Select whether to record the secure communication error log history. Value: Off, On  NOTE If [On] is selected, set the number of histories to be stored. The setting range is 1 to 1,000.
Auto Sending	Select whether the secure communication error log history is automatically sent to the set address when the number of entries reaches the number set in "Secure Comm. Error Log". Value: Off, On  NOTE This function is displayed when "Secure Communication Error Log History" is set to [On] .
Destination	Set the destination to which secure communication error log histories are sent. E-mail address only can be set as destination.  NOTE This function is displayed when "Secure Communication Error Log History" is set to [On] .
Subject	Set the subject automatically entered when sending secure communication error log histories by E-mail. Value: Up to 60 characters  NOTE This function is displayed when "Secure Communication Error Log History" is set to [On] .

 **NOTE**

If the user authentication screen appears, enter your login user name and login password and select **[Login]**. For this, you need to login with administrator privileges. The factory default login user name and login password are set as shown below.

Login User Name: 6000

Login Password: 6000

System/Network

Configures machine system settings.

Network

Configures network settings.

Host Name

[System Menu/Counter] key > [System/Network] > [Network] > [Host Name]

Item	Description
Host Name	<p>Check the host name of the machine. Host name can be changed from Command Center RX.</p> <p>➔ Changing Device Information (page 2-54)</p>

Wi-Fi Direct Settings

[System Menu/Counter] key > [System/Network] > [Network] > [Wi-Fi Direct Settings]

Set Wi-Fi Direct.



NOTE

This function is displayed when the Wireless Network Interface Kit (IB-35) is installed. The Wireless Network Interface Kit is an option for some models. Contact your dealer or our sales or service representatives for detail.

➔ [IB-35 "Wireless Network Interface Kit" \(page 11-5\)](#)

Item	Description
Wi-Fi Direct	<p>Select whether to use Wi-Fi Direct.</p> <p>Value: Off, On</p>
Device Name	<p>Specify the device name.</p> <p> NOTE</p> <ul style="list-style-type: none"> • Up to 32 characters can be entered. • This function is displayed when [Wi-Fi Direct] is set to [On].
IP Address	<p>Check the IP address of the machine.</p> <p>➔ TCP/IP Setting (page 8-35)</p> <p> NOTE</p> <p>This function is displayed when [Wi-Fi Direct] is set to [On].</p>
Auto Disconnect	<p>Automatically disconnect devices connected through Wi-Fi Direct.</p> <p>Value: Off, On</p> <p> NOTE</p> <ul style="list-style-type: none"> • If you select [ON], set the waiting time for automatic disconnection. • This function is displayed when [Wi-Fi Direct] is set to [On].

Wi-Fi Settings

[System Menu/Counter] key > [System/Network] > [Network] > [Wi-Fi Settings]

Set Wi-Fi.



NOTE

This function is displayed when the Wireless Network Interface Kit (IB-35) is installed. The Wireless Network Interface Kit is an option for some models. Contact your dealer or our sales or service representatives for detail.


➔ [IB-35 "Wireless Network Interface Kit" \(page 11-5\)](#)

Wi-Fi




Item	Description
Wi-Fi	Select whether to use Wi-Fi. Value: Off, On

Setup

Item	Description
Connection Status	Check the wireless LAN status.
Quick Setup	If the machine will connect to an access point that supports the automatic wireless network setup, connection settings can be configured by Quick Setup.
Available Network	Displays access points to which the machine can connect.
WEP Key Index	Select the key index of the access point. Value: 0 to 3
Push Button Method	If the access point supports the push button method, wireless settings can be configured using the push button. This setting executes push button, and the connection is started by pressing the push button on the access point. NOTE The push button method supports only the WPS.
PIN Code Method (Device)	Starts connection using the machine's PIN code. Enter the PIN code into the access point. The PIN code of the machine is automatically generated.





Item	Description																				
Custom Setup	The detailed settings for wireless LAN can be changed.																				
Network Name (SSID)	Set the SSID (Service Set Identifier) of the wireless LAN to which the machine connects.  NOTE Up to 32 characters can be entered.																				
Network Authentication	Select network authentication type. Value: Open, WPA2/WPA-PSK, WPA2-PSK, WPA2/WPA-EAP, WPA2-EAP																				
Encryption	Select encryption method. The setting values vary depending on the Network Authentication setting. <table border="1" data-bbox="491 622 1481 1146"> <thead> <tr> <th data-bbox="497 631 756 712">Network Authentication</th> <th colspan="2" data-bbox="756 631 1474 712">Encryption</th> </tr> </thead> <tbody> <tr> <td data-bbox="497 712 756 860" rowspan="2">Open</td> <td data-bbox="756 712 909 763">Disable</td> <td data-bbox="909 712 1474 763">—</td> </tr> <tr> <td data-bbox="756 763 909 860">WEP</td> <td data-bbox="909 763 1474 860"> WEP Key: Up to 26 characters WEP Key Index: 0 to 3 </td> </tr> <tr> <td data-bbox="497 860 756 949">WPA2/WPA-PSK</td> <td colspan="2" data-bbox="756 860 1474 949"> Data Encryption: AES, Auto Preshared Key: Up to 64 characters </td> </tr> <tr> <td data-bbox="497 949 756 1039">WPA2-PSK</td> <td colspan="2" data-bbox="756 949 1474 1039"> Data Encryption: AES Preshared Key: Up to 64 characters </td> </tr> <tr> <td data-bbox="497 1039 756 1099">WPA2/WPA-EAP</td> <td colspan="2" data-bbox="756 1039 1474 1099">Data Encryption: AES, Auto</td> </tr> <tr> <td data-bbox="497 1099 756 1146">WPA2-EAP</td> <td colspan="2" data-bbox="756 1099 1474 1146">Data Encryption: AES</td> </tr> </tbody> </table>	Network Authentication	Encryption		Open	Disable	—	WEP	WEP Key: Up to 26 characters WEP Key Index: 0 to 3	WPA2/WPA-PSK	Data Encryption: AES, Auto Preshared Key: Up to 64 characters		WPA2-PSK	Data Encryption: AES Preshared Key: Up to 64 characters		WPA2/WPA-EAP	Data Encryption: AES, Auto		WPA2-EAP	Data Encryption: AES	
Network Authentication	Encryption																				
Open	Disable	—																			
	WEP	WEP Key: Up to 26 characters WEP Key Index: 0 to 3																			
WPA2/WPA-PSK	Data Encryption: AES, Auto Preshared Key: Up to 64 characters																				
WPA2-PSK	Data Encryption: AES Preshared Key: Up to 64 characters																				
WPA2/WPA-EAP	Data Encryption: AES, Auto																				
WPA2-EAP	Data Encryption: AES																				

TCP/IP Setting

Item	Description
TCP/IP	Select whether to use TCP/IP Protocol. Value: Off, On
IPv4	Set up TCP/IP (IPv4) to connect to the network. This setting is available when [TCP/IP] is set to [On].
IP Address	Set the IP address. Value: ###.###.###.###  NOTE When DHCP is set to [On], this function will be grayed out and the value cannot be entered.
Subnet Mask	Set the IP subnet mask. Value: ###.###.###.###  NOTE When DHCP is set to [On], this function will be grayed out and the value cannot be entered.
Default Gateway	Set the IP gateway address. Value: ###.###.###.###  NOTE When DHCP is set to [On], this function will be grayed out and the value cannot be entered.
DHCP	Select whether to use the DHCP (IPv4) server. Value: Off, On
Auto-IP	Select whether to use Auto-IP. Value: Off, On

 **IMPORTANT**

- When setting the Auto-IP, enter "0.0.0.0" in [IP Address].
- After changing the setting, restart the network or turn the machine OFF and then ON.

Item	Description
IPv6	Set up TCP/IP (IPv6) to connect to the network. This setting is available when [TCP/IP] is [On].
IPv6	Select whether to use IPv6. Value: Off, On  NOTE Selecting [On] displays IP address in [IP Address (Link Local)] after restarting the network.
RA (Stateless)	Select whether to use RA (Stateless). Value: Off, On  NOTE This function is displayed when [IPv6] is set to [On]. Selecting [On] displays IP address in [IP Address (Stateless)] after restarting the network.
Manual Setting	Manually specify the IP address, prefix length, and gateway address of TCP/IP (IPv6). Value IP Address (Manual): 128-bits address is expressed in eight groups consisting of four-digit hexadecimal digits. The groups are separated by colon (:). Prefix Length: 0 to 128 Default Gateway: 128-bits address is expressed in eight groups consisting of four-digit hexadecimal digits. The groups are separated by colon (:).  NOTE This function is displayed when [IPv6] is set to [On]. To enter "Default Gateway", set [RA (Stateless)] to [Off].
DHCP	Select whether to use the DHCP (IPv6) server. Value: Off, On  NOTE This function is displayed when [IPv6] is set to [On]. Selecting [On] displays IP address in [IP Address (Stateful)] after restarting the network.

**IMPORTANT**

After changing the setting, restart the network or turn the machine OFF and then ON.

Restart Network




Item	Description
Restart Network	Restarts the network.

Wired Network Settings

[System Menu/Counter] key > [System/Network] > [Network] > [Wired Network Settings]





Configure wired network settings.

TCP/IP Setting

Item	Description
TCP/IP	Select whether to use TCP/IP Protocol. Value: Off, On
IPv4	Set up TCP/IP (IPv4) to connect to the network. This setting is available when [TCP/IP] is set to [On].
IP Address	Set the IP address. Value: ###.###.###.###  NOTE When DHCP is set to [On], this function will be grayed out and the value cannot be entered.
Subnet Mask	Set the IP subnet mask. Value: ###.###.###.###  NOTE When DHCP is set to [On], this function will be grayed out and the value cannot be entered.
Default Gateway	Set the IP gateway address. Value: ###.###.###.###  NOTE When DHCP is set to [On], this function will be grayed out and the value cannot be entered.
DHCP	Select whether to use the DHCP (IPv4) server. Value: Off, On
Auto-IP	Select whether to use Auto-IP. Value: Off, On
DNS Server	Set DNS server (IPv4). Value: Auto (DHCP), Manual When [Manual] is selected, you can enter static DNS server information in the Primary and Secondary fields provided.

IMPORTANT

- When setting the Auto-IP, enter "0.0.0.0" in [IP Address].
- After changing the setting, restart the network or turn the machine OFF and then ON.

Item	Description
IPv6	Set up TCP/IP (IPv6) to connect to the network. This setting is available when [TCP/IP] is [On].
IPv6	Select whether to use IPv6. Value: Off, On  NOTE Selecting [On] displays IP address in [IP Address (Link Local)] after restarting the network.
RA (Stateless)	Select whether to use RA (Stateless). Value: Off, On  NOTE This function is displayed when [IPv6] is set to [On]. Selecting [On] displays IP address in [IP Address (Stateless)] after restarting the network.
Manual Setting	Manually specify the IP address, prefix length, and gateway address of TCP/IP (IPv6). Value IP Address (Manual): 128-bits address is expressed in eight groups consisting of four-digit hexadecimal digits. The groups are separated by colon (:). Prefix Length: 0 to 128 Default Gateway: 128-bits address is expressed in eight groups consisting of four-digit hexadecimal digits. The groups are separated by colon (:).  NOTE This function is displayed when [IPv6] is set to [On]. To enter "Default Gateway", set [RA (Stateless)] to [Off].
DHCP	Select whether to use the DHCP (IPv6) server. Value: Off, On  NOTE This function is displayed when [IPv6] is set to [On]. Selecting [On] displays IP address in [IP Address (Stateful)] after restarting the network.
DNS Server	Set DNS server (IPv6). Value: Auto (DHCP), Manual When [Manual] is selected, you can enter static DNS server information in the Primary and Secondary fields provided.

**IMPORTANT**

After changing the setting, restart the network or turn the machine OFF and then ON.

LAN Interface

Item	Description
LAN Interface	Specify the settings for the LAN interface to be used. Value: Auto, 10BASE-T Half, 10BASE-T Full, 100BASE-TX Half, 100BASE-TX Full, 1000BASE-T

**IMPORTANT**

After changing the setting, restart the network or turn the machine OFF and then ON.

Bonjour

[System Menu/Counter] key > [System/Network] > [Network] > [Bonjour]

Item	Description
Bonjour	Select whether to use Bonjour. Value: Off, On
Wi-Fi Direct	Set whether to enable this function for each network. Value: Disable, Enable
Wi-Fi	
Wired Network	

IPSec

[System Menu/Counter] key > [System/Network] > [Network] > [IPSec]



Item	Description
IPSec	Select whether to use IPSec. Value: Off, On

Protocol Settings



[System Menu/Counter] key > [System/Network] > [Network] > [Protocol Settings]


Configure protocol settings.

Item	Description
SMTP (E-mail TX)	Select whether to send E-mail using SMTP. Value: Off, On
POP3 (E-mail RX)	Select whether to receive E-mail using POP3. Value: Off, On

Item	Description
ThinPrint	Select whether to use ThinPrint. To use the Thin Print protocol, set the protocol to [On] . The default port number is 4000. ^{*1, *2} Value: Off, On  NOTE This function is displayed only when the ThinPrint Option is activated.
Wi-Fi Direct	Set whether to enable this function for each network. Value: Disable, Enable
Wi-Fi	
Wired Network	
Thin Print over SSL	To use the Thin Print over SSL protocol, set [Thin Print Over SSL] and [SSL] to [On] . Value: Off, On  NOTE When selecting [On] , it also requires a certificate for SSL. The default certificate is the self-certificate of the machine. ➔ Command Center RX User Guide
FTP Server (Reception)	Select whether to receive documents using FTP. ^{*2} Value: Off, On
Wi-Fi Direct	Set whether to enable this function for each network. Value: Disable, Enable
Wi-Fi	
Wired Network	
LPD	Selects whether to receive documents using LPD. ^{*2} Value: Off, On
Wi-Fi Direct	Set whether to enable this function for each network. Value: Disable, Enable
Wi-Fi	
Wired Network	
NetBEUI	Selects whether to receive documents using NetBEUI. ^{*2} Value: Off, On
Wi-Fi Direct	Set whether to enable this function for each network. Value: Disable, Enable
Wi-Fi	
Wired Network	
Raw	Select whether to receive documents using Raw Port. ^{*2} Value: Off, On
Wi-Fi Direct	Set whether to enable this function for each network. Value: Disable, Enable
Wi-Fi	
Wired Network	

Item	Description
WSD Print	Set whether to use our proprietary web services. ^{*2} Value: Off, On
Wi-Fi Direct	Set whether to enable this function for each network. Value: Disable, Enable
Wi-Fi	
Wired Network	
SNMPv1/v2	Select whether to communicate using SNMP. ^{*2} Value: Off, On
Wi-Fi Direct	Set whether to enable this function for each network. Value: Disable, Enable
Wi-Fi	
Wired Network	
SNMPv3	Select whether to communicate using SNMPv3. ^{*2} Value: Off, On
Wi-Fi Direct	Set whether to enable this function for each network. Value: Disable, Enable
Wi-Fi	
Wired Network	
Enhanced WSD	Set whether to use our proprietary web services. ^{*2} Value: Off, On
Wi-Fi Direct	Set whether to enable this function for each network. Value: Disable, Enable
Wi-Fi	
Wired Network	
Enhanced WSD over SSL	Set whether to use our proprietary web services over SSL. ^{*1, *2} Value: Off, On
Wi-Fi Direct	Set whether to enable this function for each network. Value: Disable, Enable
Wi-Fi	
Wired Network	
IPP	Selects whether to receive documents using IPP. To use the IPP protocol, set [IPP] to [On] , and set [SSL] to [Off] . In addition, select [Not Secure (IPP&IPPS)] on IPP Security under Security Settings from the Command Center RX. The default port number is 631. ^{*2} Value: Off, On
Wi-Fi Direct	Set whether to enable this function for each network. Value: Disable, Enable
Wi-Fi	
Wired Network	

Item	Description
IPP over SSL	<p>To use the IPP protocol, set [IPP] and [SSL] to [On]. The default port number is 443.*¹, *²</p> <p>Value: Off, On</p> <p> NOTE</p> <p>When selecting [On], it also requires a certificate for SSL. the default certificate is the self-certificate of the machine.</p> <p>➔ Command Center RX User Guide</p>
Wi-Fi Direct	Set whether to enable this function for each network.
Wi-Fi	Value: Disable, Enable
Wired Network	
HTTP	<p>Select whether to communicate using HTTP.*²</p> <p>Value: Off, On</p>
Wi-Fi Direct	Set whether to enable this function for each network.
Wi-Fi	Value: Disable, Enable
Wired Network	
HTTPS	<p>Select whether to communicate using HTTPS.*¹, *²</p> <p>Value: Off, On</p>
Wi-Fi Direct	Set whether to enable this function for each network.
Wi-Fi	Value: Disable, Enable
Wired Network	
LDAP	<p>Select whether to use LDAP.</p> <p>Value: Off, On</p>
VNC (RFB)	<p>This is set when starting up a VNC Viewer (E.g. RealVNC) to use the Remote Operation.*¹</p> <p>The default port number is 9062.</p> <p>Value: Off, On</p>
Wi-Fi Direct	Set whether to enable this function for each network.
Wi-Fi	Value: Disable, Enable
Wired Network	
VNC (RFB) over SSL	<p>This is set when starting up a VNC Viewer (E.g. RealVNC) to use Remote Operation protected by SSL.*¹, *²</p> <p>The default port number is 9063.</p> <p>Value: Off, On</p> <p> NOTE</p> <p>When selecting [On], it also requires a certificate for SSL. The default certificate is the self-certificate of the machine.</p>
Wi-Fi Direct	Set whether to enable this function for each network.
Wi-Fi	Value: Disable, Enable
Wired Network	

Item	Description
Enhanced VNC over SSL	<p>This is set when starting up Embedded Web Server RX to use Remote Operation protected by SSL.*1, *2</p> <p>The default port number is 9061.</p> <p>Value: Off, On</p> <p> NOTE</p> <ul style="list-style-type: none"> The default setting is [On]. When selecting [On], it also requires a certificate for SSL. The default certificate is the self-certificate of the machine.
Wi-Fi Direct	<p>Set whether to enable this function for each network.</p> <p>Value: Disable, Enable</p>
Wi-Fi	
Wired Network	

*1 Set "SSL" to [On] in Security Settings.

→ [Security Settings \(page 8-41\)](#)

*2 The setting will be changed after restarting the device or network.



IMPORTANT

After changing the setting, restart the network or turn the machine OFF and then ON.

Security Settings

[System Menu/Counter] key > [System/Network] > [Network] > [Security Settings]

Item	Description
SSL	<p>Select whether to use SSL for communication.</p> <p>Value: Off, On</p>


Proxy

[System Menu/Counter] key > [System/Network] > [Network] > [Proxy]

Item	Description
Proxy	<p>Set the proxy for connection to the Internet from an application.</p> <p>Value: Off, On</p>
Use the Same Proxy Server for All Protocols	<p>Set whether the same proxy server is used for all protocols. To use the same proxy server, select the [Use the Same Proxy Server for All Protocols] checkbox.</p>
Proxy Server (HTTP)	<p>Set a proxy server (HTTP).</p> <p>Value: (Enter the proxy address and port number.)</p>
Proxy Server (HTTPS)	<p>Set a proxy server (HTTPS). This setup is available when "Use the Same Proxy Server for All Protocols" is [Off].</p> <p>Value: (Enter the proxy address and port number.)</p>
Do Not Use Proxy for Following Domains	<p>Set domains for which no proxy is used.</p> <p>Value: (Enter the domain name.)</p>

Ping

[System Menu/Counter] key > [System/Network] > [Network] > [Ping]

Item	Description
Ping	<p>Checks if communication with the destination by entering the host name or IP address of the destination is possible.</p> <p> NOTE If [Primary Network (Client)] is set to [Others], this item is not displayed.</p>

Restart Network

[System Menu/Counter] key > [System/Network] > [Network] > [Restart Network]

Item	Description
Restart Network	Restarts the network.

Optional Network

[System Menu/Counter] key > [System/Network] > [Optional Network]


Basic


Configure settings for the optional Network Interface Kit.



NOTE

This menu is displayed when the optional Network Interface Kit or Wireless Network Interface Kit is installed.

Item	Description
Host Name	<p>Check the host name of the machine. Host name can be changed from Command Center RX.</p> <p>➔ Changing Device Information (page 2-54)</p>
TCP/IP Setting	<p>For details on setting value.</p> <p>➔ TCP/IP Setting (page 8-35)</p> <p>➔ Bonjour (page 8-37)</p> <p>➔ IPSec (page 8-37)</p>
NetWare	<p>Use NetWare to receive documents.</p> <p>See the Operation Guide for the optional network interface card for details.</p> <p>Value: Off, On</p>
AppleTalk	<p>Selects whether to receive documents using AppleTalk.*1</p> <p>Value: Off, On</p>
LAN Interface	<p>Select the LAN Interface type.*1</p> <p>Value: Auto, 10Base-Half, 10Base-Full, 100Base-Half, 100Base-Full, 1000BASE-T</p> <p> NOTE This function is displayed when the optional Network Interface Kit is installed.</p>

Item	Description
MAC Address Filter	Select whether to use MAC Address Filter.  Operation Guide for the optional Network Interface Kit Value: Off, On
Restart Network	Restarts the network card of the device.

*1 The setting will be changed after restarting the device or network.


Wireless Network




Configure settings for the optional Wireless Network Interface Kit.



NOTE

This function is displayed when the Wireless Network Interface Kit (IB-51) is installed.

Item	Description
Connection Status	You can check the wireless LAN status.
Quick Setup	If the machine will connect to an access point that supports the automatic wireless network setup, connection settings can be configured by Quick Setup.
Available Network	Select access points to which the machine can be connected, enter the Preshared Key and start a connection.
Push Button Method	If the access point supports the push button method, wireless settings can be configured using the push button. This setting executes push button, and the connection is started by pressing the push button on the access point.  NOTE The push button method supports only the WPS.
PIN Code Method (Device)	Starts connection using the machine's PIN code. Enter the PIN code into the access point. The PIN code of the machine is automatically generated.
PIN Code Method (Terminal)	Starts connection using the PIN code of the access point. Enter the PIN code of the access point.

Item	Description
Custom Setup	The detailed settings for wireless LAN can be changed.
Network Name (SSID)	Set the SSID (Service Set Identifier) of the wireless LAN to which the machine connects.  NOTE Up to 32 characters can be entered.
Connection Mode	Set the connection mode. Value: Ad Hoc, Infrastructure  NOTE Ad Hoc: Directly communicates with the device without going through an access point. This method cannot be used to connect to two or more devices. Infrastructure: Performs communication through an access point.
Channel	Set channel. Use [-] / [+] or the numeric keys to enter a number. Value: 1 to 11
Network Authentication	Select network authentication type. To select other options, open the device home page from a computer. Value: Open, Shared, WPA-PSK*1, WPA2-PSK*1
Encryption	Select encryption method. If the option other than [Disable] is selected, enter the WEP key or the Preshared key. The setting values vary depending on the Network Authentication setting. Select [Data Encryption]. When Network Authentication is set to [Open] or [Shared]: Value: Disable, WEP When Network Authentication is set to [WPA-PSK] or [WPA2-PSK]: Value: TKIP*2, AES, Auto*2, Preshared Key  NOTE <ul style="list-style-type: none"> • If [WEP] is selected, enter the WEP key. Up to 26 characters can be entered. • If [TKIP], [AES] or [Auto] is selected, enter the Preshared key. Enter the value in 8 to 64 characters.

*1 Not displayed if you selected [Ad Hoc] for "Connection Mode".

*2 Not displayed if you selected [WPA2-PSK] for "Network Authentication".

Primary Network (Client)


[System Menu/Counter] key > [System/Network] > [Primary Network (Client)]

NOTE

This function is displayed when the optional Network Interface Kit (IB-50) or Wireless Network Interface Kit (IB-51 or IB-35) is installed.


The Wireless Network Interface Kit (IB-35) is an option for some models. Contact your dealer or our sales or service representatives for detail.

➔ [IB-35 "Wireless Network Interface Kit" \(page 11-5\)](#)

Item	Description
Primary Network (Client)	Select the network interface to be used for the connection when this machine functions as a client. Value: Wi-Fi, Wired Network, Optional Network  NOTE <ul style="list-style-type: none"> • [Wi-Fi] is displayed when the Wireless Network Interface Kit (IB-35) is installed. • [Optional Network] is displayed when the optional Network Interface Kit (IB-50) or Wireless Network Interface Kit (IB-51) is installed.

Security Level



[System Menu/Counter] key > [System/Network] > [Security Level]

Item	Description
Security Level	Specify the security level. Value Low: This mode is used during maintenance. Do not use normally. High: This is the security setting we recommend. Use this setting normally. Very High: In addition to [High] setting, this setting disables the machine settings to be changed from external command.  NOTE This function is available when you have logged in as machine administrator. ➔ Changing User Properties (page 9-4)

Interface Block Setting

[System Menu/Counter] key > [System/Network] > [Interface Block Setting]

This allows you to protect this machine by blocking the interface with external devices such as USB hosts or optional interfaces.

Item	Description
USB Host	This locks and protects the USB port (USB host). Value: Unblock, Block
USB Device	This locks and protects the USB interface connector (USB Device). Value: Unblock, Block
USB Storage	This locks and protects the USB memory slot. Value: Unblock, Block  NOTE This function is available when USB Host is set to [Unblock] .
Optional Interface 1	This locks and protects the optional interface slots. Value: Unblock, Block
Optional Interface 2	 NOTE You can set this feature for each slot.







IMPORTANT


After changing the setting, restart the network or turn the machine OFF and then ON.

Data Security

[System Menu/Counter] key > [System/Network] > [Data Security]

Configure settings for data stored in the SSD, hard disk, and machine's memory.

Item	Description
Hard Disk/SSD Initialization	Change security functions.  NOTE <ul style="list-style-type: none"> This function is displayed when the optional Data Security Kit is activated. Enter the security password to change security functions.
Data Overwrite Method	The method used to overwrite data can be changed. Refer to the following for details.  Data Security Kit (E) Operation Guide Value 1-time Overwrite Method: This function overwrites unneeded data areas (in the case of overwriting) or all areas (in the case of system initialization) with zeroes to prevent data restoration. 3-time Overwrite (DoD): This overwrite method complies with U.S. Department of Defense (DoD) standards, and overwrites unneeded data areas of the hard disk (in the case of overwriting) or all areas (in the case of system initialization) with specific characters, their complements, and random characters to prevent data restoration. Data restoration is not possible even when sophisticated restoration techniques are used, and a higher level of security than Once Overwrite is obtained.  NOTE This method may take more time than Once Overwrite method to process a larger amount of data.
Security Password	Customize the security password so that only the administrator can use the security kit. Enter a new security password 6 to 16 numeric characters and symbols. Enter the password again for confirmation.  IMPORTANT Avoid any easy-to-guess numbers for the security password (e.g. 11111111 or 12345678).
System Initialization	Overwrite all the data stored in the hard disk/SSD when disposing of the machine.  IMPORTANT If you accidentally turn the power switch off during initialization, the hard disk/SSD might possibly crash or initialization might fail.  NOTE If you accidentally turn the power switch off during initialization, turn the power switch on again. Initialization automatically restarts.

Item	Description
Data Sanitization	<p>Return the following information registered in the machine to the factory defaults.</p> <ul style="list-style-type: none"> • System settings • Data saved in Custom Box • Optional applications <p> NOTE</p> <ul style="list-style-type: none"> • Print the status page and then confirm that security data is deleted. ➔ Status Page (page 8-26) • Once in progress, the processing cannot canceled. • Before executing this function, disconnect network, and other cables. • Do not turn off the main power switch while sanitizing the data. If the main power is turned off during data erasing, erasing will be executed automatically when the power is restored, however, complete erasure cannot be guaranteed.
Software Verification	<p>Verify the installed software. Select [Start] to start verification. If an error occurs during software verification, contact your dealer or service representative.</p>

Information erased

Category	Data erased
Devices/jobs	<ul style="list-style-type: none"> • Job settings configured by users • Network settings • Image data saved in Document Box, etc. • Job histories • User information (Document Box registered by the user, etc.) • Account information of job accounting • Network certificates • Initial screen on machine changed by service representative
Application/program	<ul style="list-style-type: none"> • Application/program added by a user or service representative • Trial functions

Optional Function

[System Menu/Counter] key > [System/Network] > [Optional Function]

Item	Description
Optional Function	<p>You can use the optional applications installed on this machine.</p> <p>➔ Optional Applications (page 11-7)</p>

Bluetooth Settings

[System Menu/Counter] key > [System/Network] > [Bluetooth Settings]

Item	Description
Bluetooth Keyboard	<p>Use Bluetooth keyboard. Value: Off, On</p>
Search Device	Select a keyboard.

Restart Entire Device

[System Menu/Counter] key > [System/Network] > [Restart Entire Device]

Item	Description
Restart Entire Device	Restart the CPU without turning the main power switch off. Use this to deal with any unstable operation by the machine. (Same as the computer restart.)

Remote Services Settings

[System Menu/Counter] key > [System/Network] > [Remote Services Settings]

When the trouble occurs on this product, it is possible to explain the operational procedure and the troubleshooting method through the internet from our sales office by accessing the operation panel screen of this product while operating the screen.



NOTE

When using the remote service settings, it is necessary to make a contract with our company. Please contact our sales office or our authorized dealer (purchase source) for the details.

NFC

[System Menu/Counter] key > [System/Network] > [NFC]

Item	Description
NFC	Use NFC (Near Field Communication). Value: Off, On

Remote Operation

[System Menu/Counter] key > [System/Network] > [Remote Operation]

Item	Description
Remote Operation	<p>Configure settings for remote operation. Value: Off, On</p> <p>If [On] is selected, set the Use Restrictions. [Off]: Users without administrator privileges can also execute remote operation. [Use Password]: Enter the password, then re-enter it to confirm. [Administrator Only]: Only administrator can execute remote operation.</p> <p> NOTE When selecting [Administrator Only], the remote operation using VNC software is unavailable.</p>

User Login/Job Accounting

[System Menu/Counter] key > [User Login/Job Accounting]

Configure settings related to machine management.

- ➔ [Overview of User Login Administration \(page 9-2\)](#)
- ➔ [Overview of Job Accounting \(page 9-20\)](#)
- ➔ [Unknown ID Job \(page 9-35\)](#)

User Property

[System Menu/Counter] key > [User Property]





Allows you to view information about logged in users and edit some of that information.




➔ [Enabling User Login Administration \(page 9-3\)](#)




Date/Timer/Energy Saver


[System Menu/Counter] key > [Date/Timer/Energy Saver]

Configures settings related to the date and time.

Item	Description
Date/Time	<p>Set the date and time for the location where you use the machine. Value: Year (2000 to 2037), Month (1 to 12), Day (1 to 31), Hour (00 to 23), Minute (00 to 59), Second (00 to 59)</p> <p> NOTE If you change the date/time while using the trial version of an application, you will no longer be able to use the application.</p>
Date Format	<p>Select the display format of year, month, and date. The year is displayed in Western notation. Value: MM/DD/YYYY, DD/MM/YYYY, YYYY/MM/DD</p>
Time Zone	<p>Set the time difference from GMT. Choose the nearest listed location from the list. If you select a region that utilizes summer time, configure settings for summer time. ➔ Setting Date and Time (page 2-24)</p>
Auto Panel Reset	<p>If no jobs are run for a certain period of time, automatically reset settings and return to the default setting. Select to use Auto Panel Reset or not. Value: Off, On</p> <p> NOTE For setting the time until the panel is automatically reset, refer to the following: ➔ Panel Reset Timer (page 8-50)</p>
Auto Error Clear	<p>If an error occurs during processing, processing stops to wait for the next step to be taken by the user. In the Auto Error Clear mode, automatically clear the error after a set amount of time elapses. Value: Off, On</p> <p> NOTE For setting the automatic error recovery time, refer to the following: ➔ Error Clear Timer (page 8-51)</p>
Low Power Timer	<p>Set amount of time before entering the Low Power mode. Value: 1 to 120 minutes (1 minute increments) ➔ Low Power Mode (page 2-34)</p>
Panel Reset Timer	<p>If you select [On] for Auto Panel Reset, set the amount of time to wait before Auto Panel Reset. Value: 5 to 495 seconds (in 5 second increments)</p> <p> NOTE This function is displayed when [Auto Panel Reset] is set to [On].</p>

Item	Description
Sleep Timer	Set amount of time before entering Sleep. Value: 1 to 120 minutes (1 minute increments)
Ping Timeout	Set the time until timeout occurs when [Ping] is executed in "System/Network". Value: 1 to 30 seconds (in 1 second increments)
Error Job Skip	Set whether a job for which a "Add paper in cassette #" or "Add paper in Multipurpose tray" error occurred when the job was started is automatically skipped after a set period of time elapses. Value: Off, On  NOTE <ul style="list-style-type: none">• When a job is skipped, it is moved to the end of the job queue.• If [On] is selected, set the time until the job is skipped. The setting range is 5 to 90 (5 second increments).
Error Clear Timer	If you select [On] for Auto Error Clear, set the amount of time to wait before automatically clearing errors. Value: 5 to 495 seconds (in 5 second increments)  NOTE <p>This function is displayed when [Auto Error Clear] is set to [On].</p>
Sleep Rules (models for Europe)	Select whether to use the Sleep mode for the following functions individually: <ul style="list-style-type: none">• Network• USB Cable• ID Card Reader*¹• Application Value: Off, On  NOTE <ul style="list-style-type: none">• If the sleep condition is not turned off, the machine will not wake from sleep mode even if it receives a print job from a computer connected by USB cable. Also, the ID card cannot be recognized.• This function will not be displayed when the optional Network Interface Kit or Fiery controller is installed.

Item	Description
Sleep Level (models except for Europe)	Select the sleep level. Set the Energy Saver mode to reduce power consumption even more than normal Sleep mode. Value: Quick Recovery, Energy Saver  NOTE This function will not be displayed when the optional Network Interface Kit or Fiery controller is installed.
Sleep Rules	Select whether to use the Energy Saver mode for the following functions individually: <ul style="list-style-type: none"> • Network • USB Cable • ID Card Reader*¹ • Application Value: Off, On  NOTE When the machine has entered sleep mode with Energy Saver setting, it does not wake from sleep mode when it receives print data from a PC connected by USB cable. Also, the ID card cannot be recognized.
EnergySaver RecoveryLevel	Select the method of recovery from energy saver. Value: Full Recovery: This mode enables the use of all functions immediately. However, this mode saves less energy. Normal Recovery: In this mode, you can select the method from the following: enabling the use of all functions immediately or enabling the use of desired functions only. If you want to use all functions immediately, select the [Energy Saver] key to execute recovery. Power Saving Recovery: This mode enables the use of desired functions only. This mode saves energy most effectively.
Weekly Timer Settings	Configure settings for switching the machine into Sleep mode and waking it automatically at a specified time for each day of the week.
Weekly Timer	Select whether to use Weekly Timer. Value: Off, On
Schedule	Specify the time for each day of the week at which the machine enters Sleep mode and recovers.
Retry Times	Set the number of retry to switch the machine into Sleep mode. Value: Limited Retries, Unlimited Retries  NOTE If [Limited Retries] is selected, set the number of retry. The setting range is 0 to 10. Retry is not performed when "0" is set. If [Unlimited Retries] is selected, retry is performed until the machine enters Sleep mode.
Retry Interval	Set the retry interval. Use [-] / [+] to enter a number. Value: 10 to 60 seconds (increments of 10 seconds)

Item	Description
Power Off Rule (models for Europe)	<p>Select whether or not the machine enters Power Off mode for the following function. Select [On] to set the Power Off mode.</p> <ul style="list-style-type: none"> • Network • USB Cable • USB Host • NIC*² • Remote Diagnostics • Application <p>Value: Off, On</p> <p> NOTE</p> <p>Even when any of the functions is set to [On], if [NIC] is set to [Off], the machine does not enter Power Off Mode.</p> <p>Even when [Network] or [USB Cable] is set to [Off], if the machine does not communicate with the other devices, the machine will enter Power Off Mode.</p>
Power Off Timer (models for Europe)	<p>Select whether to turn off the power automatically after a period of inactivity.</p> <p>Value: 1 hour, 2 hours, 3 hours, 4 hours, 5 hours, 6 hours, 9 hours, 12 hours, 1 day, 2 days, 3 days, 4 days, 5 days, 6 days, 1 week</p>



*1 Displayed when the optional Card Authentication Kit is activated.





*2 Displayed when the optional Network Interface Kit or Wireless Network Interface Kit is installed.

Adjustment/Maintenance

[System Menu/Counter] key > [Adjustment/Maintenance]

Adjust printing quality and conduct machine maintenance.


Item	Description
Drum Refresh	<p>Remove image blur and white dots from the printout. It takes about 1 to 2 minutes. The time required may vary depending on the operating environment.</p> <p>➔ Drum Refresh (page 10-34)</p> <p> NOTE</p> <p>Drum Refresh cannot be performed while printing. Execute Drum Refresh after the printing is done.</p>
Auto Drum Refresh	<p>Select the time length of the drum refresh.</p> <p>Value</p> <p>Off: The Auto Drum Refresh will not be performed.</p> <p>Short: Perform Auto Drum Refresh as Short.</p> <p>Standard: Perform Auto Drum Refresh as Standard.</p> <p>Long: Perform Auto Drum Refresh as Long.</p>
Drum Heater	<p>Set the drum heater.</p> <p>Value: Off, On</p> <p> NOTE</p> <p>This setting does not appear in some regions.</p>
Laser Scanner Cleaning	<p>Remove vertical white lines from the printout.</p> <p>➔ Laser Scanner Cleaning (page 10-34)</p>

Item	Description
Developer Refresh	Adjust the printed image that is too light or incomplete, even though there is enough toner. ➔ Developer Refresh (page 10-35)  NOTE Waiting time may be longer when the toner is refilled during developer refresh.
Open toner cover	Open the toner cover.  NOTE This function is displayed when using a genuine toner container.
System Initialization	Initialize the hard disk/SSD installed on the machine to return it to the factory defaults.  NOTE This function will not be displayed when the optional Data Security Kit is activated.
Display Brightness	Set the brightness of the touch panel. Value: 1 (Darker), 2, 3, 4, 5 (Lighter)
Silent Mode	Set the Silent Mode. Select this mode when the running noise is uncomfortable. Value: Off, On  NOTE When [On] is selected, it may take time for the next print job to start.
Memory Diagnostics	Perform this function to check the machine memory.
Calibration	Calibrate the device to ensure consistency with the original tone. ➔ Calibration (page 10-34)
Calibration Cycle	Set the calibration cycle. Value: Short: Priority is given to image quality. Standard: Balances image quality and print speed. Long: Priority is given to print speed.

Internet

[System Menu/Counter] key > [Internet]

Configure settings related to the internet.

Item	Description
Internet Browser	Select whether to use the Internet browser. Value: Off, On
Browser Environment	This specifies Internet browser preferences such as your home page setting and how pages are displayed. Value: Home page: (Enter the address for Home page.) Text Size: Large, Medium, Small Display Mode: Normal, Just-Fit Rendering, Smart-Fit Rendering Cookie: Accept All, Reject All, Prompt before Accepting  NOTE This function is displayed when [Internet Browser] is set to [On]. ➔ Internet Browser (page 8-55)

NOTE

To use proxy from Internet Browser, refer to the following:

➔ [Proxy \(page 8-41\)](#)

Application

[System Menu/Counter] key > [Application]

Configure settings for Application.

➔ [Application \(page 5-9\)](#)

9 User Authentication and Accounting (User Login, Job Accounting)

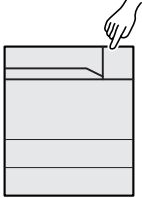
This chapter explains the following topics:

Overview of User Login Administration	9-2
Managing the Users from PC	9-2
Enabling User Login Administration	9-3
Setting User Login Administration	9-4
Changing User Properties	9-4
User Login Administration for Printing	9-7
Group Authorization Settings	9-9
Guest Authorization Set.	9-11
Obtain NW User Property	9-13
Simple Login Settings	9-15
ID Card Settings	9-17
PIN Code Authorization	9-18
Using User Login Administration	9-19
Login/Logout	9-19
Overview of Job Accounting	9-20
Enabling Job Accounting	9-21
Job Accounting Access	9-21
Job Accounting (Local)	9-22
Adding an Account	9-22
Restricting the Use of the Machine	9-23
Editing an Account	9-23
Deleting an Account	9-25
Job Accounting for Printing	9-26
Configuring Job Accounting	9-28
Default Setting	9-28
Counting the Number of Pages Printed	9-30
Print Accounting Report	9-32
Using Job Accounting	9-33
Login/Logout	9-33
Apply Limit	9-34
Unknown ID Job	9-35
Unknown ID Job	9-35
Registering Information for a User whose ID is Unknown	9-36

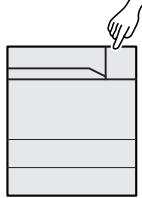
Overview of User Login Administration

User login administration specifies how the user access is administered on this machine. Enter a correct login user name and password for user authentication to login.

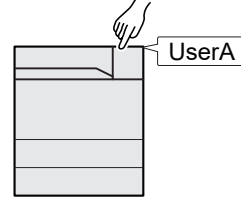
- 1 Enable User Login Administration ([page 9-3](#))



- 2 Logout ([page 9-19](#))



- 3 Enter the login user name and password and execute the job ([page 9-19](#))



Access are in three levels - "User", "Administrator", and "Machine Administrator". The security levels can be modified only by the "Machine Administrator".

The authentication for this machine uses a network authentication server. The registration of users is done on the server.

Managing the Users from PC

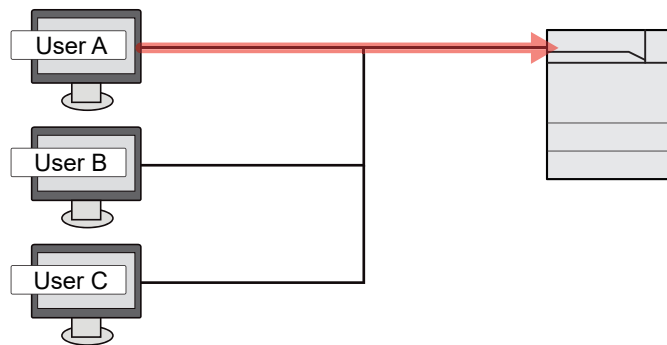
In addition to the above settings, the following are necessary to manage the users from PC.

To Manage the Users to Print from PCs

Printer driver settings are necessary to manage the users that print on the machine from PCs.

- 1 Set the User Login Administration on the printer driver ([page 9-7](#))

- 2 Print



Enabling User Login Administration

This switches the User Login Administration On/Off and sets the authentication network server.

1 Display the screen.

- 1 [System Menu/Counter] key > [User Login/Job Accounting]

NOTE

If the login user name entry screen appears during operations, enter a login user name and password, and select [**Login**]. For this, you need to login with administrator privileges.

The factory default login user name and login password are set as shown below.

Login User Name: 6000

Login Password: 6000

- 2 "User Login Setting" [Next] > "User Login" [Change]

2 Configure the settings.

- 1 Select [**Network Authentication**].

Select [**Off**] to disable user login administration.

If you select [**Network Authentication**], enter the host name (64 characters or less) and domain name (256 characters or less) for the Authentication Server. Select [**NTLM**], [**Kerberos**] or [**Ext.**] as the server type.

When selecting [**Ext.**] as the server type, enter the port number.

NOTE

Selecting "Domain" [**Add/Edit**] displays the domain registration list. In the domain registration list screen, select [**Add/Edit**], and enter the domain name. Up to 10 domain names can be registered.

- 2 Select [**OK**].

"Do you want to add a new function to the home screen?" appears when [**OK**] is selected.

To add a new function, select [**Yes**]. The selection screen for functions displayed in the home screen will appear.

➔ [Available Functions to Display on Desktop \(page 2-14\)](#)

NOTE

If the login user name and password are rejected, check the following settings.

- Network Authentication setting of the machine
- User property of the Authentication Server
- Date and time setting of the machine and the Authentication Server

If you cannot login because of the setting of the machine, login with any administrator registered in the local user list and correct the settings.

Setting User Login Administration

This alters users and configures the settings for User Login Administration.

Changing User Properties

User information registered in the machine can be viewed and changed.

NOTE

- By default, one of each default user with machine administrator rights and administrator privileges is already stored. Each user's properties are:

Machine Administrator

User Name: DeviceAdmin
Login User Name: 6000
Login Password: 6000
Access Level: Machine Administrator

Administrator

User Name: Admin
Login User Name: Admin
Login Password: Admin
Access Level: Administrator

- * Upper case and lower case letters are distinguished (case sensitive).
- It is recommended to periodically change the user name, login user name and login password regularly for your security.
- To change the user information of the machine administrator, you must log in with machine administrator authority. You can only view user information if you log in as a regular user.

For a user with administrator rights who logs in

User properties can be changed.

1 Display the screen.

- 1** [System Menu/Counter] key > [User Login/Job Accounting]

NOTE

If the login user name entry screen appears during operations, enter a login user name and password, and select [**Login**]. For this, you need to login with administrator privileges.


The factory default login user name and login password are set as shown below.

Login User Name: 6000
Login Password: 6000

- 2** "User Login Setting" [**Next**] > "Local User List" [**Edit**]
- 3** Select the user whose properties you wish to change > [**Detail**]

2 Change the user properties.

- 1 Enter the user information > [OK]

Item	Descriptions
User Name	Enter the name displayed on the user list (up to 32 characters).
Login User Name	Enter the login user name to login (up to 64 characters). The same login user name cannot be registered.
Login Password	Enter the password to login (up to 64 characters). Reenter the same password for confirmation and select the [OK] key.
Access Level	Select "Administrator" or "User" for user access privileges.
Account Name	<p>Add an account where the user belongs. The user, who registered his/her account name, can login without entering the account ID.</p> <p>➔ Overview of Job Accounting (page 9-20)</p> <p> NOTE</p> <ul style="list-style-type: none"> • Select [Name] or [ID] from the "Sort" to sort the account list. • Select [Search(Name)] or [Search(ID)] to search by account name or account ID.
E-mail Address	The user can register his/her E-mail address. The registered address will be automatically selected for subsequent operations that need any E-mail function.
My Panel	You can register the language selection, initial screen, and shortcut settings for each user. Settings registered here can be applied simply by logging in.

- 2 [Save] > [Yes]

The user information is changed.

Changing the user information of logged in user (User Property)

These users can partially change their own user properties including user name, login password, E-mail address, Simple Login, and My Panel.

Although "Login User Name", "Access Level", or "Account Name" cannot be changed, the users can check the present status.





1 Display the screen.

[System Menu/Counter] key > [User Property]

2 Change the user properties.

- 1 Enter the user information > [OK]

Item	Description
User Name	Changes the name shown on the user list. Up to 32 characters can be entered.
Login User Name	Displays the login user name that is entered at login.
Login Password	Changes the password that is entered at login. Up to 64 characters can be entered.

Item	Description
Access Level	Displays the user's access level.
My Panel	Register the language and default screen for each user. Once registered, the setting will be applied simply by login. Network users are not displayed.
E-mail Address	<p>Changes the user's e-mail address. Up to 128 characters can be entered.</p> <p> NOTE This function appears when Group Authorization is set to [On], and Guest Authorization Setting is set to [On].</p>
Authorization Rules	<p>Displays the usage restriction that is set for the logged in user.</p> <p> NOTE This function appears when Group Authorization is set to [On], or Guest Authorization Setting is set to [On].</p> <p>[Job Accounting Rules] shows the account name set for the logged in user and the usage restrictions that are set for that account.</p> <p>This function appears when job accounting is set to [On]. For information on job accounting, refer to the following: ➔ Job Accounting Access (page 9-21)</p>
Simple Login	<p>When simple login is enabled, changes associated settings.</p> <p> NOTE This function does not appear when Simple Login is set to [Off] or the user is not registered in Simple Login.</p>
ID Card Information	<p>Displays the ID card information of the logged in user.</p> <p> NOTE This function is displayed when the optional ID Card Authentication Kit is activated.</p> <p>➔ Optional Applications (page 11-7)</p> <p>This function does not appear when the server type is set to [Ext.] in Network Authentication, and logged in with the user account certificated in the server specified as the [Ext.] server type.</p>

2 Select **[Save]**.

The user information is changed.

User Login Administration for Printing

It is possible to manage the users that print on this machine from a PC.

Setting Printer Driver

To manage the users that print on this machine from a PC, the following settings are necessary in the printer driver. Instructions are based on interface elements as they appear in Windows 8.1.

1 Display the screen.

- 1 Select **[Settings]** in charms on Desktop, and select **[Control Panel]**, and then **[View devices and printers]**.



NOTE

In Windows 7, click **[Start]** button on the Windows, and then click **[View devices and printers]**.

- 2 Right-click the printer driver icon of the machine, and click the **[Printer properties]** menu of the printer driver.
- 3 Click **[Administrator]** on the **[Device Settings]** tab.

2 Configure the settings.

- 1 Select **[User Login]** on the **[User Login]** tab.

The screenshot shows the 'User Login Administration' dialog box with the following elements:

- Tabbed interface with 'User Login' selected (indicated by a red box and the number '1').
- 'User login' checkbox checked (indicated by a red box and the number '2').
- 'Name' and 'Password' input fields.
- 'Prompt for name' radio button.
- 'Login user name:' section with a list box containing 'Login user name (printin...' and 'User name (computer)'. Buttons 'Add...', 'Delete', 'Edit...', 'Import...', and 'Export...' are to the right.
- 'Prompt for name and validate' radio button.
- 'Validate user name (computer) or prompt for login user name' radio button.

2 Set the User Login Administration.

[Use specific name]: This option can be used to specify a user name and password to use the same User login for every print job. If this option is selected, the user does not have to type the name and password for each print job.

[Prompt for name]: A screen for entering the user name and password will be displayed when attempting a printing. The user name and password must be entered each time a printing is attempted.

[Prompt for name and validate]: A screen for entering the user name and password will be displayed when attempting a printing. The user name and password stored in the Login user name list needs to be entered. The user name and password must be entered each time a printing is attempted.

[Validate user name (computer) or prompt for login user name]: When printing, the Windows user name is searched in the "Login user names" and printing is possible if the name is registered. If the name is not registered, the printing will be canceled for users with only user authority. If the user has administrator privileges, the screen to enter the user name and password will appear.

3 Click **[OK]**.



NOTE

For other settings of job accounting, refer to the following:

➔ **Printer Driver User Guide**

Group Authorization Settings

Set restrictions of the machine usage by each individual group registered in the authentication server.

NOTE

To use the group authorization settings, User Login Administration must be enabled in "Enabling User Login Administration". Select "On" for "LDAP" in "Protocol Detail".

➔ [Enabling User Login Administration \(page 9-3\)](#)

➔ [Protocol Settings \(page 8-37\)](#)

Group Authorization

1 Display the screen.

- 1 [System Menu/Counter] key > [User Login/Job Accounting]

NOTE

If the login user name entry screen appears during operations, enter a login user name and password, and select [**Login**]. For this, you need to login with administrator privileges.

The factory default login user name and login password are set as shown below.

Login User Name: 6000

Login Password: 6000

- 2 "User Login Setting" [**Next**] > "Group Authorization Set." [**Next**] > "Group Authorization" [**Change**]

2 [On] > [OK]

Group List (Up to 20)

Register the groups that are restricted the machine usage. Other users and groups belong to "Others".

1 Display the screen.

- 1 [System Menu/Counter] key > [User Login/Job Accounting]

NOTE

If the login user name entry screen appears during operations, enter a login user name and password, and select [**Login**]. For this, you need to login with administrator privileges.

The factory default login user name and login password are set as shown below.

Login User Name: 6000

Login Password: 6000

- 2 "User Login Setting" [**Next**] > "Group Authorization Set." [**Next**] > "Group List" [**Next**]

2 Configure the settings.

[Add] > Add information on each item > [OK]

Item	Descriptions
Group ID^{*1}	Enter the ID displayed on the group list (between 1 and 4294967295).
Group Name	Enter the name displayed on the group list (up to 32 characters).
Access Level	Select [Administrator] or [User] for group access privileges.
Print Restriction	Select whether or not to reject usage of print functions for the printer. Applicable print functions are as follows: <ul style="list-style-type: none"> • Print from Box • Print from Removable Memory • Print from PC
Duplex Restriction	Select whether only duplex printing is allowed.
Combine Restrict.	Specify whether only Combine is allowed.
EcoPrint Restriction	Specify whether only EcoPrint is allowed.
Storing Restr. in Box	Select whether or not to reject usage of storing in the document boxes.

*1 For "Group ID", specify PrimaryGroupID assigned by Active Directory of Windows. If you are using Windows Server 2008, check Attribute Editor tab of user properties.



NOTE

For details on entering characters, refer to the following:

➔ [Character Entry Method \(page 11-9\)](#)

3 Register the group.

Select [**Save**].

A new group is added on the group list.

Guest Authorization Set.

When User Login Administration is enabled, set the functions that guest users who cannot log in to the machine are allowed to use.

NOTE

- To use Guest Authorization Set., User Login Administration must be enabled in "Enabling User Login Administration".
 - ➔ [Enabling User Login Administration \(page 9-3\)](#)
- Cannot be used when the Key Counter option is used.

Enabling Guest Authorization

1 Display the screen.

- 1 [System Menu/Counter] key > [User Login/Job Accounting]

NOTE

If the login user name entry screen appears during operations, enter a login user name and password, and select [**Login**]. For this, you need to login with administrator privileges.

The factory default login user name and login password are set as shown below.

Login User Name: 6000

Login Password: 6000

- 2 "User Login Setting" [**Next**] > "Guest Authorization Set." [**Next**] > "Guest Authorization" [**Change**]

2 [On] > [OK]

NOTE

If the guest authorization setting is enabled, the [**Authentication/Logout**] key must be selected when logging in.

Configuring Guest Property

Register guest user information and functions that are restricted.

1 Display the screen.

- 1 [System Menu/Counter] key > [User Login/Job Accounting]

NOTE

If the login user name entry screen appears during operations, enter a login user name and password, and select [**Login**]. For this, you need to login with administrator privileges.

The factory default login user name and login password are set as shown below.

Login User Name: 6000

Login Password: 6000

- 2 "User Login Setting" [**Next**] > "Guest Authorization Set." [**Next**] > "Guest Property" [**Next**]

2 Configure the settings.

Check the settings and change or add information as needed.

Item	Descriptions
User Name	Enter the name displayed on the user list (up to 32 characters). The default setting is "Guest User".
Access Level	The authority of the user appears. This cannot be changed.
Account Name	Add an account where the user belongs. If the user does not belong to any account, select [Others].
Authorization Rules	<p>Set usage authority for each user. The items you can restrict the access level with are as follows.</p> <p>Print Restriction: Select whether or not use of the print function of the printer is prohibited. Applicable print functions are as follows:</p> <ul style="list-style-type: none"> • Print from Box • Print from Removable Memory <p>Duplex Restriction: Select whether only duplex printing is allowed.</p> <p>Combine Restrict.: Specify whether only Combine is allowed.</p> <p>EcoPrint Restriction: Specify whether only EcoPrint is allowed.</p>

3 Register the group.

Select [**Save**].

Obtain NW User Property

Set the required information to obtain the network user property from the LDAP server. The user name and E-mail address obtained with this setting is shown in the user information, the status confirmation screen, and the header of E-mail.

NOTE

To obtain the network user property from the LDAP server, User Login Administration must be enabled in "Enabling User Login Administration".

Select "On" for "LDAP" in "Protocol Detail".

➔ [Enabling User Login Administration \(page 9-3\)](#)

➔ [Protocol Settings \(page 8-37\)](#)

1 Display the screen.

1 [System Menu/Counter] key > [User Login/Job Accounting]

NOTE

If the login user name entry screen appears during operations, enter a login user name and password, and select [**Login**]. For this, you need to login with administrator privileges.

The factory default login user name and login password are set as shown below.

Login User Name: 6000

Login Password: 6000

2 [User Login Setting] > [Obtain NW User Property] > [On]

2 Configure the settings.

[On] > Add information on each item > [OK]

Item	Descriptions
Server Name ^{*1}	Enter the LDAP server name or the IP address (up to 64 characters). If a server name is not entered, user information will be acquired from the server set for Network Authentication.
Port	Port number for LDAP server. The default port number is 389.
Name 1 ^{*2}	Enter the LDAP Attribute to obtain the user name to be displayed from the LDAP server (up to 32 characters).
Name 2 ^{*3}	Enter the LDAP Attribute to obtain the user name to be displayed from the LDAP server (up to 32 characters).
E-mail Address ^{*4}	Enter the LDAP Attribute to obtain the E-mail address from the LDAP server (up to 32 characters).
Authentic at Type ^{*5}	Set the authentication method. Select [Simple] or [SASL]. After changing the setting, restart the system or turn the power off and then on.

Item	Descriptions
Search Timeout	Set the amount of time to wait before time-out in seconds (from 5 to 255 seconds).
LDAP Security	Select the type of encryption according to the type of security employed by the LDAP server. The value is [Off] , [SSL/TLS] or [STARTTLS] .

- *1 If using Active Directory of Windows, the server name may be the same as the server name entered in the network authentication.
- *2 If using Active Directory of Windows, displayName of Attribute may be used as "Name 1".
- *3 "Name 2" can be left out. When you assign displayName in "Name 1" and department in "Name 2", and if the value of displayName is "Mike Smith" and the value of department is "Sales" in Active Directory of Windows, the user name appears as "Mike Smith Sales".
- *4 If using Active Directory of Windows, mail of Attribute may be used as E-mail Address.
- *5 Appears when the server type is set to "Kerberos" in "Network Authentication".

Simple Login Settings

The simple login function allows users to log in simply by selecting a user name. Users must be registered in advance to use this functionality.

NOTE

- The authentication for this machine uses a network authentication server. The registration of users is done on the server.
- To use Simple Login, User Login Administration must be enabled in "Enabling User Login Administration".
➔ [Enabling User Login Administration \(page 9-3\)](#)
- When the guest authorization setting is enabled, the Simple Login screen is not displayed.

Enabling Simple Login

1 Display the screen.

- 1 [System Menu/Counter] key > [User Login/Job Accounting]

NOTE

If the login user name entry screen appears during operations, enter a login user name and password, and select [**Login**]. For this, you need to login with administrator privileges.

The factory default login user name and login password are set as shown below.

Login User Name: 6000

Login Password: 6000

- 2 "User Login Setting" [**Next**] > "Simple Login Settings" [**Next**] > "Simple Login" [**Change**]

2 [On] or [Off] > [OK]

Simple Login Key

Register users to use simple login. You can add up to 20 users.

1 Display the screen.

- 1 [System Menu/Counter] key > [User Login/Job Accounting]

NOTE

If the login user name entry screen appears during operations, enter a login user name and password, and select [**Login**]. For this, you need to login with administrator privileges.

The factory default login user name and login password are set as shown below.

Login User Name: 6000

Login Password: 6000

- 2 "User Login Setting" [**Next**] > "Simple Login Settings" [**Next**] > "Simple Login Key" [**Next**]

2 Enter the user information.

- 1 Select the key to which you want to register a user.
- 2 Select [**Add/Edit**].

- 3 "Display Name" [**Change**] > Enter the user name to be displayed > [**OK**]

 **NOTE**

For details on entering characters, refer to the following:

➔ [Character Entry Method \(page 11-9\)](#)

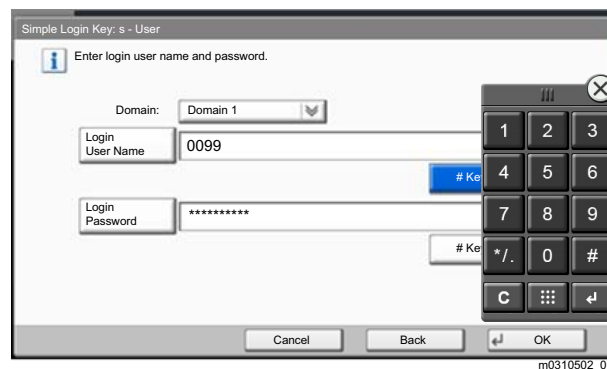
- 4 Select "User" [**Change**].
- 5 To specify the user from local users, select [**Local User**]. To specify from network users, select [**Network User**].

The procedure differs depending on the transmission method selected.

Specifying the user from local users


Select the user to be set for simple login.

Specifying the user from network users



Select [**Login User Name**] and [**Login Password**], enter the information of the user to be registered, and select [**OK**].

If you are specifying a user for whom a domain is set in network authentication, select the "Domain" and select the domain where the user is registered.

 **NOTE**

For details on entering characters, refer to the following:

➔ [Character Entry Method \(page 11-9\)](#)

- 6 "Password Login" [**Change**] > [**On**] or [**Off**] > [**OK**] > "Icon" [**Change**]
- 7 Select the user icon to be displayed and select [**OK**].

3 Register the user.

Select [**Save**].

ID Card Settings

If ID card authentication is enabled, select the authentication type.

NOTE

This functions appears when the Card Authentication Kit is activated.

➔ [Optional Applications \(page 11-7\)](#)

1 Display the screen.

- 1 [System Menu/Counter] key > [User Login/Job Accounting]

NOTE

If the login user name entry screen appears during operations, enter a login user name and password, and select [**Login**]. For this, you need to login with administrator privileges.

The factory default login user name and login password are set as shown below.

Login User Name: 6000

Login Password: 6000

- 2 "User Login Setting" [Next] > "ID Card Settings" [Next]

2 Configure the settings.

The following settings can be selected.

Item	Descriptions
Keyboard Login	When ID card authentication is enabled, select whether or not login by keyboard is allowed. Value: Permit, Prohibit
Additional Authentication *1	Select whether or not to require password entry after authenticating by ID card. Value: Off, Use Password, Use PIN

*1 This function does not appear when the server type is set to [NTLM] or [Kerberos] in "Network Authentication".

PIN Code Authorization


 **NOTE**

When using PIN Code Authorization, the network authentication must be enabled and **[Ext.]** must be selected for server type.

➔ [Enabling User Login Administration \(page 9-3\)](#)

1 Display the screen.

- 1 **[System Menu/Counter] key > [User Login/Job Accounting]**

 **NOTE**

If the login user name entry screen appears during operations, enter a login user name and password, and select **[Login]**. For this, you need to login with administrator privileges.

The factory default login user name and login password are set as shown below.

Login User Name: 6000

Login Password: 6000

- 2 "User Login Setting" **[Next]** > "PIN Code Authorization" **[Change]**

2 **[Off] or [On] > [OK]**

Using User Login Administration

This section explains procedures while setting job accounting.

Login/Logout

If user login administration is enabled, the login user name and login password entry screen appears each time you use this machine.

Login

If the login user name entry screen appears during operations, log in by referring to the following:

➔ [Login \(page 2-22\)](#)

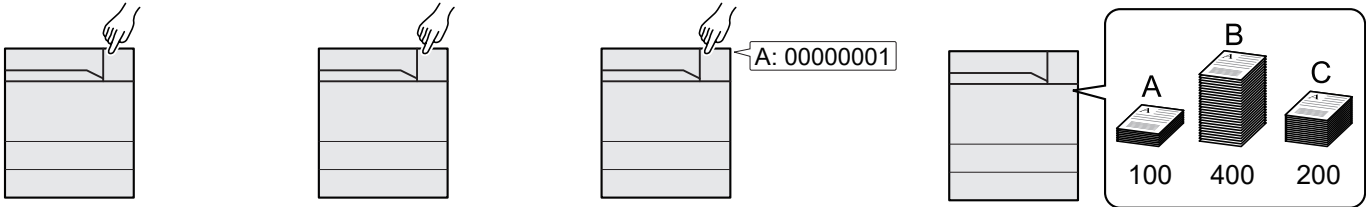
Logout

When the operations are complete, select the **[Authentication/Logout]** key to return to the login user name and login password entry screen.

Overview of Job Accounting

Job accounting manages the print count accumulated by individual accounts by assigning an ID to each account.

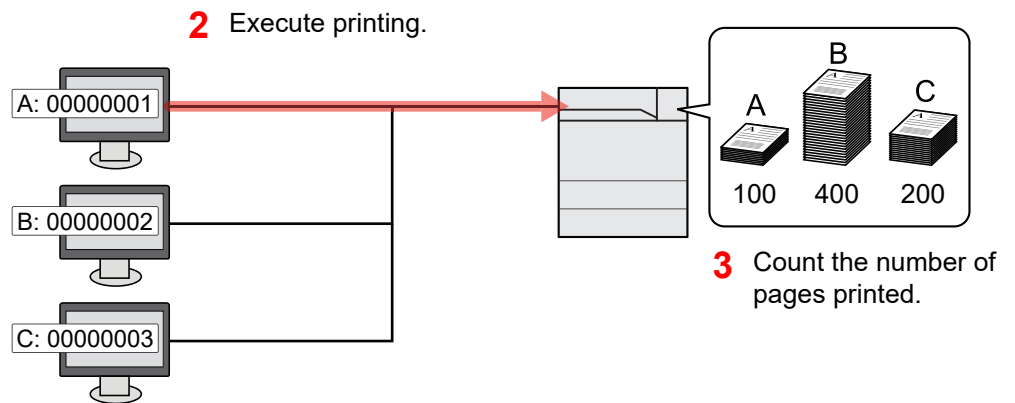
- 1** Enable job accounting. ([page 9-21](#))
- 2** Setting an account. ([page 9-22](#))
- 3** Enter the assigned account ID when performing the job. ([page 9-19](#))
- 4** Count the number of pages printed.



To Manage the Number of Sheets Used on Jobs Printed from a PC

To manage the number of jobs to be printed from the PC on the network, you need to configure settings by using the printer driver on the PC.

- 1** Set Job Accounting for the PC on the network by using the printer driver. ([page 9-26](#))



Enabling Job Accounting

1 Display the screen.

- 1 [System Menu/Counter] key > [User Login/Job Accounting]

NOTE

If the login user name entry screen appears during operations, enter a login user name and password, and select [**Login**]. For this, you need to login with administrator privileges.

The factory default login user name and login password are set as shown below.

Login User Name: 6000

Login Password: 6000

- 2 "Job Accounting Settings" [**Next**] > "Job Accounting" [**Change**]

2 Configure the settings.

[On] > [OK]

NOTE

- To disable job accounting, select [**Off**].
- When the display returns to System Menu default screen, logout is automatically executed and the screen to enter the Account ID appears. To continue the operation, enter the Account ID.

Job Accounting Access

1 Display the screen.

- 1 [System Menu/Counter] key > [User Login/Job Accounting]

NOTE

If the login user name entry screen appears during operations, enter a login user name and password, and select [**Login**]. For this, you need to login with administrator privileges.

The factory default login user name and login password are set as shown below.

Login User Name: 6000

Login Password: 6000

- 2 [Job Accounting Settings] > [Job Accounting Access]

2 Configure the settings.

[Local] or [Network] > [OK]

NOTE

To select [**Network**], network authentication must be enabled and [**Ext.**] must be selected for server type.

Job Accounting (Local)

You can add, change and delete an account and set the restriction for each account.

Adding an Account

Up to 1000 individual accounts can be added. The following entries are required.

Item	Descriptions
Account Name	Enter the account name (up to 32 characters).
Account ID	Enter the account ID as many as eight digits (between 0 and 99999999).
Restriction	This prohibits printing or restricts the number of sheets to load. ➔ Restricting the Use of the Machine (page 9-23)

1 Display the screen.

- 1 [System Menu/Counter] key > [User Login/Job Accounting]

NOTE

If the login user name entry screen appears during operations, enter a login user name and password, and select [Login]. For this, you need to login with administrator privileges. The factory default login user name and login password are set as shown below.

Login User Name: 6000
Login Password: 6000

- 2 "Job Accounting Settings" [Next] > "Job Accounting (Local)" [Next] > "Accounting List" [Add/Edit] > [Add]

2 Enter the account information.

- 1 "Account Name" [Change] > Enter the account name > [OK]

NOTE

For details on entering characters, refer to the following:

➔ [Character Entry Method \(page 11-9\)](#)

- 2 "Account ID" [Change] > Enter the account ID > [OK]

NOTE

Any "Account ID" that has already registered cannot be used. Enter any other account ID.

- 3 Activate or deactivate restriction.
➔ [Restricting the Use of the Machine \(page 9-23\)](#)
- 4 Select [Save].
A new account is added on the Account List.

Restricting the Use of the Machine

This section explains how to restrict the use of the machine by account or the number of sheets available.

Restriction Items

Item	Descriptions
Print Restriction (Total)	Limits the number of sheets used for printing. Applicable print functions are as follows: <ul style="list-style-type: none"> • Print from Box • Print from Removable Memory • Print from PC

Applying Restriction

Restriction can be applied in the following modes:

Item	Descriptions
Off	No restriction is applied.
Counter Limit	Restricts the print counter in one-page increments up to 9,999,999 copies.
Reject Usage	Restriction is applied.

Editing an Account

1 Display the screen.

- 1 [System Menu/Counter] key > [User Login/Job Accounting]

NOTE

If the login user name entry screen appears during operations, enter a login user name and password, and select [**Login**]. For this, you need to login with administrator privileges.

The factory default login user name and login password are set as shown below.

Login User Name: 6000

Login Password: 6000

- 2 "Job Accounting Settings" [**Next**] > "Job Accounting (Local)" [**Next**] > "Accounting List" [**Add/Edit**]

2 Edit an account.

- 1 Select [**Detail**] for the account name you wish to edit.

NOTE

- Select [**Name**] or [**ID**] from the "Sort" to sort the account list.
- Select [**Search(Name)**] or [**Search(ID)**] to search by account name or account ID.

- 2 Select the account information to be changed and change the account information.

3 [Save] > [Yes]

The account information is changed.

Deleting an Account

1 Display the screen.

- 1 [System Menu/Counter] key > [User Login/Job Accounting]



NOTE

If the login user name entry screen appears during operations, enter a login user name and password, and select [**Login**]. For this, you need to login with administrator privileges.

The factory default login user name and login password are set as shown below.

Login User Name: 6000

Login Password: 6000

- 2 "Job Accounting Settings" [**Next**] > "Job Accounting (Local)" [**Next**] > "Accounting List" [**Add/Edit**]

2 Delete an account.

- 1 Select the account name you wish to delete.
- 2 [**Delete**] > [**Yes**]

The account is deleted.

Job Accounting for Printing

The number of jobs to be printed from the computer can be managed by Job Accounting.

Setting Printer Driver

To manage the number of jobs to be printed from the PC on the network, you need configure the following settings by using the printer driver on the PC. Instructions are based on interface elements as they appear in Windows 8.1.

1 Display the screen.

- 1 Select **[Settings]** in charms on Desktop, and select **[Control Panel]**, and then **[Devices and Printers]**.

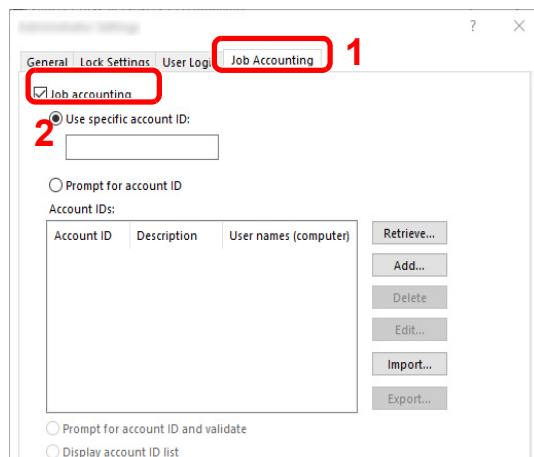
NOTE

In Windows 7, click **[Start]** button on the Windows, and then click **[Devices and Printers]**.

- 2 Right-click the printer driver icon of the machine, and click the **[Printer properties]** menu of the printer driver.
- 3 Click **[Administrator]** on the **[Device Settings]** tab.

2 Configure the settings.

- 1 Select **[Job accounting]** on the **[Job Accounting]** tab.



2 Set the Account ID.

[Use specific account ID]: Enter the Account ID. Printing will be performed using the entered Account ID. If this option is selected, the user does not have to enter the Account ID for each print job.

[Prompt for account ID]: A screen for entering the Account ID will be displayed when attempting a printing. The Account ID must be entered each time a printing is attempted.

[Prompt for account ID and validate]: A screen for entering the Account ID will be displayed when attempting a printing. The Account ID stored in the Account ID list needs to be entered. The Account ID must be entered each time a printing is attempted.

[Display account ID list]: The Account ID list is displayed when printing. The Account ID to be used needs to be selected from the list.

[Validate user name (computer) or prompt for account ID]: When printing, the Windows user name is searched in the "Account IDs" and printing is possible if the name is registered. If the Account ID is not registered, the screen for entering the Account ID will appear.

3 Click **[OK]**.



NOTE

For other settings of job accounting, refer to the following:

➔ **Printer Driver User Guide**

Configuring Job Accounting

Default Setting

Select the default value for usage limit, and whether or not to enable counting by paper size.

Default Counter Limit

When you add a new account, you can change the default restrictions on the number of sheets used. You can set any number from 1 to 9,999,999.

1 Display the screen.

- 1 [System Menu/Counter] key > [User Login/Job Accounting]

NOTE

If the login user name entry screen appears during operations, enter a login user name and password, and select [**Login**]. For this, you need to login with administrator privileges.

The factory default login user name and login password are set as shown below.

Login User Name: 6000

Login Password: 6000

- 2 "Job Accounting Settings" [**Next**] > "Job Accounting (Local)" [**Next**] > "Default Setting" [**Next**] > "Default Counter Limit" [**Next**]

2 Configure the settings.

- 1 Select [**Change**] for the item you want to modify and then select [**+**], [**-**] or use the numeric keys to enter the default restriction on the number of sheets.

Item	Description
Print Restriction (Total)	Sets the default restriction on the number of sheets used for printing. Applicable print functions are as follows: <ul style="list-style-type: none"> • Print from Box • Print from Removable Memory • Print from PC

- 2 Select [**OK**].
- 3 To set another default restriction, repeat steps 1 and 2.

Count by Paper Size

This counts the number of pages by paper size (e.g. Letter).

NOTE

Paper size is available in five types, 1 to 5. These types are specified in accounting reports.

➔ [Print Accounting Report \(page 9-32\)](#)

In addition to paper size, media type can also be specified (e.g. count the letter-size color paper used). If you do not specify the media type, the number of used sheets will be counted for the specified sheet size, regardless of the media type.

1 Display the screen.

- 1 [System Menu/Counter] key > [User Login/Job Accounting] > "Job Accounting Settings" [Next]

NOTE

If the login user name entry screen appears during operations, enter a login user name and password, and select [Login]. For this, you need to login with administrator privileges.

The factory default login user name and login password are set as shown below.

Login User Name: 6000

Login Password: 6000

- 2 "Job Accounting (Local)" [Next] > "Default Setting" [Next] > "Count by Paper Size" [Next] > "Paper Size 1 (to 5)" [Change]

2 Configure the settings.

- 1 Select [On].
- 2 Select the paper size.
- 3 Select [Media Type] to specify media type.
- 4 Select the media type and select [OK].
- 5 Select [OK].

Counting the Number of Pages Printed

This counts the number of pages printed. Counts are classified into Total Job Accounting and Each Job Accounting. A new count can also be started after resetting the count data which was stored for a certain period of time.

1 Display the screen.

- 1 [System Menu/Counter] key > [User Login/Job Accounting] > "Job Accounting Settings" [Next]



NOTE

If the login user name entry screen appears during operations, enter a login user name and password, and select [Login]. For this, you need to login with administrator privileges.

The factory default login user name and login password are set as shown below.

Login User Name: 6000

Login Password: 6000

- 2 "Job Accounting (Local)" [Next] > "Total Job Accounting" [Next] or "Each Job Accounting" [Check]

2 Configure the settings.

The table below lists the item you can view.

Item	Descriptions
Printed Pages	Displays the number of pages printed, and the total number of pages used. You can also use [Count by Paper Size], [by Duplex] and [by Combine] to check the number of pages used.
Black & White	Displays the number of pages used for black and white printing.
Total	Displays the number of pages printed.
Count by Paper Size	Displays the number of pages used in the selected paper size as well as the number of pages used in other paper sizes.
Count by Duplex/Combine	Displays the number of pages used in Duplex (1-sided) mode, Duplex (2-sided) mode and the total for both, as well as the pages used in Combine (None) mode, Combine (2 in 1) mode, Combine (4 in 1) mode and the total for all three.
Counter Reset	Resets the counter. Select [Yes] in the confirmation screen.

Total Accounting

This counts the number of pages for all accounts and resets the counts for those accounts together at the same time.

1 Display the screen.

Select [Check] at the function to check the count. The results will be displayed.

2 Check the number of pages.

Confirm the count and select [Close].

Each Job Account

This counts the number of pages for each account and resets the counts by account. When checking Each Job Accounting, select the account for which you want to check the count.

1 Display the screen.

- 1 Select the account to check the count.
- 2 Select [**Detail**].



NOTE

- Select [**Name**] or [**ID**] from the "Sort" to sort the account names.
- Select [**Search(Name)**] or [**Search(ID)**] to search by account name or account ID. To display an account other than your own account, select [**Other Account**].

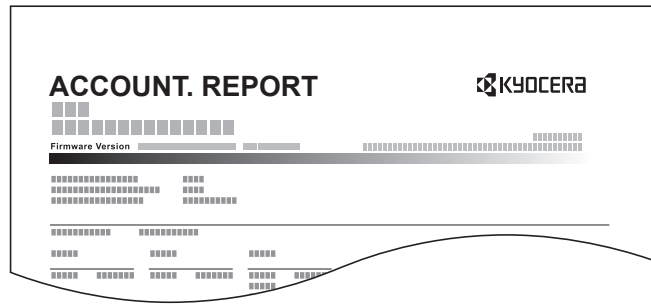
- 3 Select [**Check**] at the function to check the count.
The results will be displayed.

2 Check the number of pages.

Confirm the count and select [**Close**].

Print Accounting Report

The total pages counted of all relevant accounts can be printed as an accounting report.



Use the procedure below to print a job accounting report.

1 Prepare paper.

Check that A4 or Letter paper is loaded in the cassette.

2 Display the screen.

[System Menu/Counter] key > [User Login/Job Accounting] > [Job Accounting Settings]



NOTE

If the login user name entry screen appears during operations, enter a login user name and password, and select [**Login**]. For this, you need to login with administrator privileges.

The factory default login user name and login password are set as shown below.

Login User Name: 6000

Login Password: 6000

3 Print the report.

[Print Accounting Report] > [Yes]

Accounting report is printed.

Using Job Accounting

This section explains procedures while setting job accounting.

Login/Logout

If job accounting is enabled, an account ID entry screen appears each time you use this machine.

Login

- 1 In the account ID entry screen, enter the account ID using the numeric keys and select **[Login]**.



NOTE

- If you entered a wrong character, select the **[Clear]** key and enter the account ID again.
- If the entered account ID does not match the registered ID, a warning beep will sound and login will fail. Enter the correct account ID.
- By selecting **[Check Counter]**, you can refer to the number of pages printed.

When the screen to enter the login user name and password appears

If user login administration is enabled, the screen to enter the login user name and password appears. Enter a login user name and password to login. If the user has already registered the account information, the account ID entry would be skipped.

➔ [Changing User Properties \(page 9-4\)](#)

- 2 Proceed to complete the rest of the steps.

Logout

When the operations are complete, select the **[Authentication/Logout]** key to return to the account ID entry screen.

Apply Limit

This specifies how the machine behaves when the counter has reached the limit of restriction. The table below describes the action taken.

Item	Descriptions
Immediately *1	Job stops when the counter reaches its limit.
Subsequently	Printing of the job continues but the subsequent job will be rejected.
Alert Only	Job continues while displaying an alert message.

*1 If printing using the Job Box, the next job is prohibited when the counter reaches its limit. Storing in the Job Box or Custom Box is not prohibited.

1 Display the screen.

- 1 [System Menu/Counter] key > [User Login/Job Accounting] > "Job Accounting Settings" [Next]



NOTE

If the login user name entry screen appears during operations, enter a login user name and password, and select [**Login**]. For this, you need to login with administrator privileges.

The factory default login user name and login password are set as shown below.

Login User Name: 6000

Login Password: 6000

- 2 Select "Apply Limit" [Change].

2 Configure the settings.

Select [**Immediately**], [**Subsequently**], or [**Alert Only**] > [OK]

Unknown User Settings

Unknown ID Job

This specifies the behavior for handling the jobs sent with unknown or unsend login user names or User ID. If the User Login is set to invalid and Job Accounting is set to valid, follow the procedure when the Account ID is unknown.

The setting items are as follows.

Item	Descriptions
Permit	The job is permitted to be printed.
Reject	The job is rejected (not printed).

1 Display the screen.

- 1 [System Menu/Counter] key > [User Login/Job Accounting]

NOTE

If the login user name entry screen appears during operations, enter a login user name and password, and select [**Login**]. For this, you need to login with administrator privileges.

The factory default login user name and login password are set as shown below.

Login User Name: 6000

Login Password: 6000

- 2 "Unknown User Setting" [Next] > [Unknown ID Job].

2 Configure the settings.

Select [**Permit**] or [**Reject**].

Registering Information for a User whose ID is Unknown

If you register user information for a user whose ID is unknown, you can check information on the Job Status or Job History screens. In addition, you can restrict available functions.

NOTE

This function is displayed when [Unknown ID Job] is set to [Permit].

1 Display the screen.

- 1 [System Menu/Counter] key > [User Login/Job Accounting]

NOTE

If the login user name entry screen appears during operations, enter a login user name and password, and select [Login]. For this, you need to login with administrator privileges.

The factory default login user name and login password are set as shown below.


Login User Name: 6000

Login Password: 6000

- 2 "Unknown User Setting" [Next] > [User Property].

2 Enter the user information.

Enter the user information > [OK]

Item	Descriptions
User Name	Enter the name displayed on the user list (up to 32 characters).
Account Name	Register an account for a user whose ID is unknown. ➔ Overview of Job Accounting (page 9-20)  NOTE <ul style="list-style-type: none"> • Select [Name] or [ID] from the "Sort" to sort the account list. • Select [Search(Name)] or [Search(ID)] to search by account name or account ID.
Authorization Rules	Set usage authority. The following restriction items are available: Print Restriction: Select whether or not use of the print function of the printer is prohibited. Applicable print functions are as follows: <ul style="list-style-type: none"> • Print from PC

10 Troubleshooting

This chapter explains the following topics:

Regular Maintenance	10-2	Remove any jammed paper in the Bridge Unit	10-60
Toner Container Replacement	10-2	Remove any jammed paper in the Mailbox	10-61
Replace the Waste Toner Box	10-5	Remove any jammed paper in the 1,000-Sheet Finisher	10-62
Loading Paper	10-6	Remove any jammed paper in the 4,000-sheet Finisher (Inner)	10-65
Replacing Staples (1,000-Sheet Finisher)	10-7	Remove any jammed paper in the 4,000-sheet Finisher (Tray A)	10-66
Replacing Staples (4,000-Sheet Finisher)	10-8	Remove any jammed paper in the 4,000-sheet Finisher (Tray B)	10-70
Replacing Staples (Folding Unit)	10-10	Remove any jammed paper in the Folding Unit	10-73
Disposing of the Punch Waste	10-12	Remove any jammed paper in the Folding Tray	10-78
Troubleshooting	10-16	Clearing a Staple Jam	10-83
Solving Malfunctions	10-16	Clearing a Staple Jam of the 1,000-Sheet Finisher	10-83
Machine Operation Trouble	10-16	Clearing a Staple Jam of the 4,000-Sheet Finisher	10-86
Printed Image Trouble	10-19	Clearing a Staple Jam of the Folding Unit	10-88
Remote Operation	10-21		
Responding to Messages	10-23		
Adjustment/Maintenance	10-34		
Overview of Adjustment/Maintenance	10-34		
Drum Refresh	10-34		
Drum Refresh	10-34		
Calibration	10-34		
Laser Scanner Cleaning	10-34		
Developer Refresh	10-35		
Clearing Paper Jams	10-36		
Jam Location Indicators	10-36		
Remove any jammed paper in Cassette 1	10-37		
Remove any jammed paper in Cassette 2	10-40		
Remove any jammed paper in Cassette 3 and 4 (500-sheet×2)	10-43		
Remove any jammed paper in Cassette 3 (1,500-sheet×2)	10-45		
Remove any jammed paper in Cassette 4 (1,500-sheet×2)	10-47		
Remove any jammed paper in Cassette 5 (Side Feeder)	10-50		
Remove any jammed paper in the Multipurpose Tray	10-52		
Remove any jammed paper in Right Cover 1	10-53		
Remove any jammed paper in Right Cover 2 (500-sheet×2)	10-57		
Remove any jammed paper in Right Cover 2 (1,500-sheet×2)	10-58		

Regular Maintenance

Toner Container Replacement

When toner is empty, the following message will be displayed.

"Toner is empty."

When toner runs low, the following message will be displayed. Make sure you have a new toner container available for replacement.

"Toner is low. (Replace when empty.)"

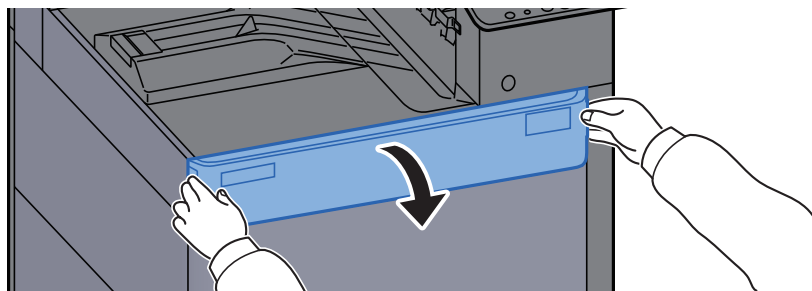
NOTE

- To maintain quality, we recommend using genuine own brand toner containers, which must pass numerous quality inspections.
- The memory chip in the toner container of this product stores information necessary for improving customer convenience, operation of the recycling system for used toner containers, and planning and development of new products. The stored information does not include information that makes it possible to identify individuals, and is only used anonymously for the above purposes.

CAUTION

Do not attempt to incinerate parts which contain toner. Dangerous sparks may cause burns.

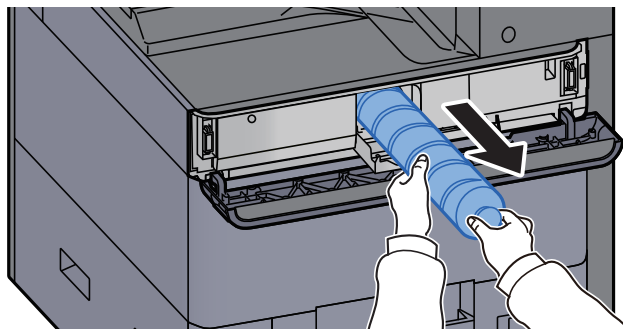
1 Open the front cover.



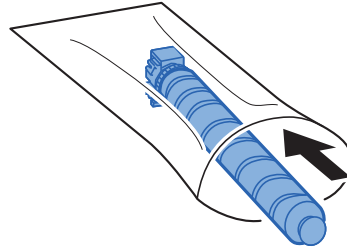
NOTE

If you close the toner container cover before replacing the container, select [**Open Toner Container Cover**].

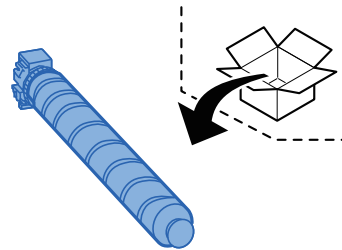
2 Remove the toner container.



3 Put used toner container into the plastic waste bag.

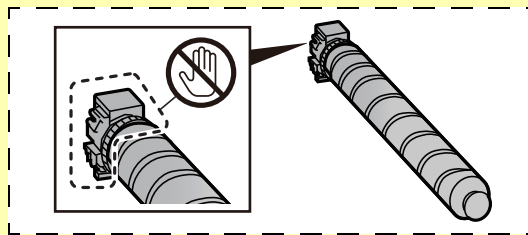


4 Remove the new toner container from the box.

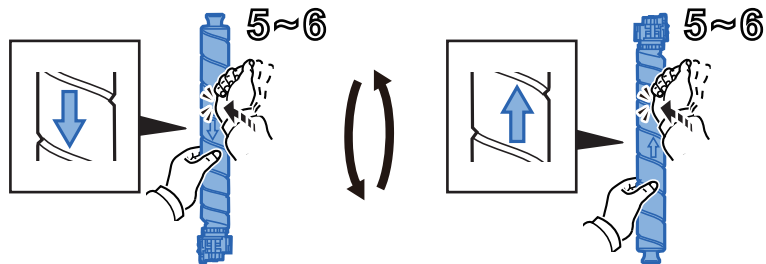


IMPORTANT

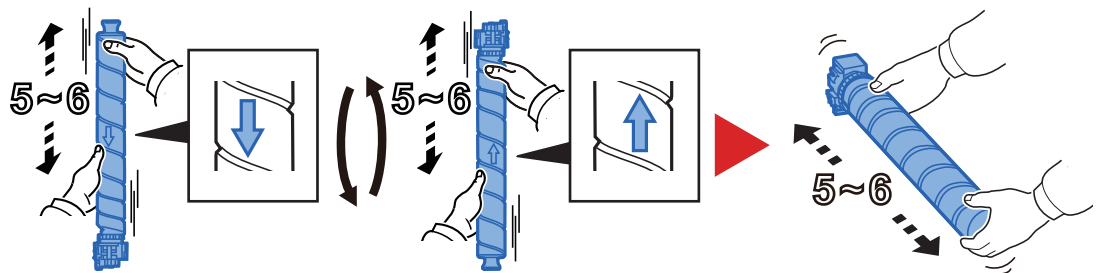
Do not touch the points shown below.




5 Tap the toner container.



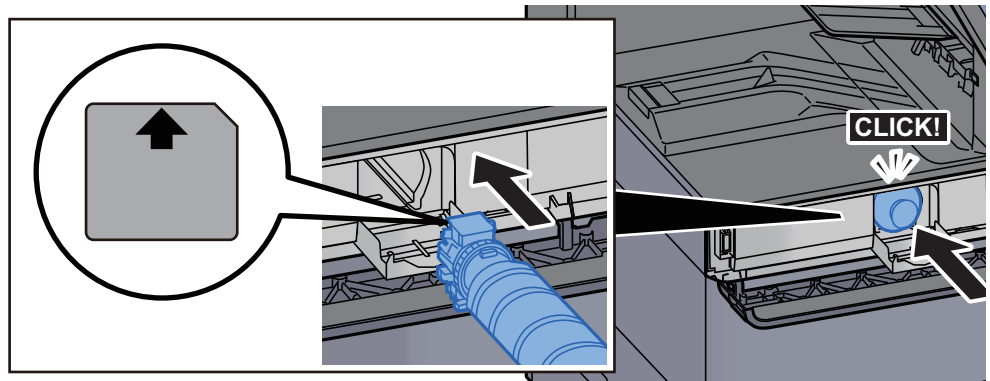
6 Shake the toner container.



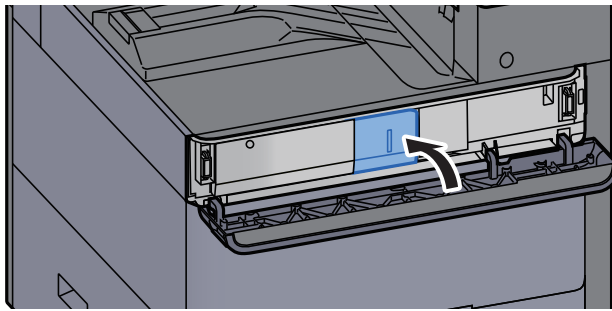
7 Install the toner container.

 **IMPORTANT**

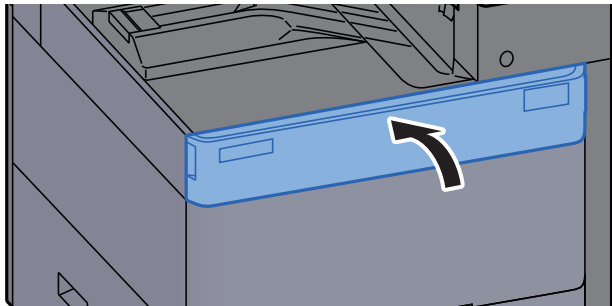
Insert the toner container all the way.




8 Close the toner container cover.



9 Close the front cover.



 **NOTE**

- If the toner container cover or front cover does not close, check that the new toner container is installed correctly.
- Return the exhausted toner container to your dealer or service representative. The collected toner container will be recycled or disposed in accordance with the relevant regulations.

Replace the Waste Toner Box

When the waste toner box is full, the following message will be displayed. Immediately replace the waste toner box.

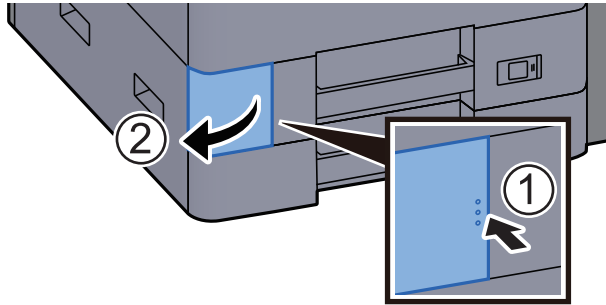
"Waste toner box is full."



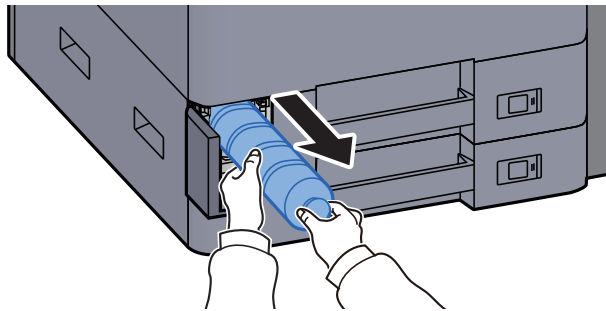
CAUTION

Do not attempt to incinerate parts which contain toner. Dangerous sparks may cause burns.

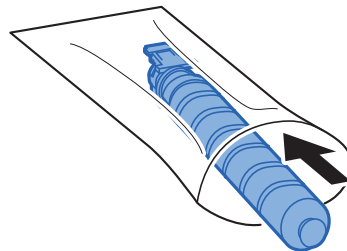
- 1 Open the waste toner box cover.**



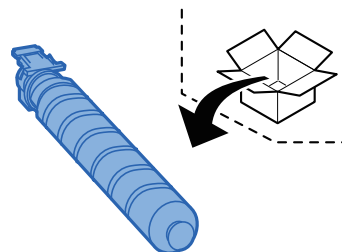
- 2 Remove the Waste Toner Box.**



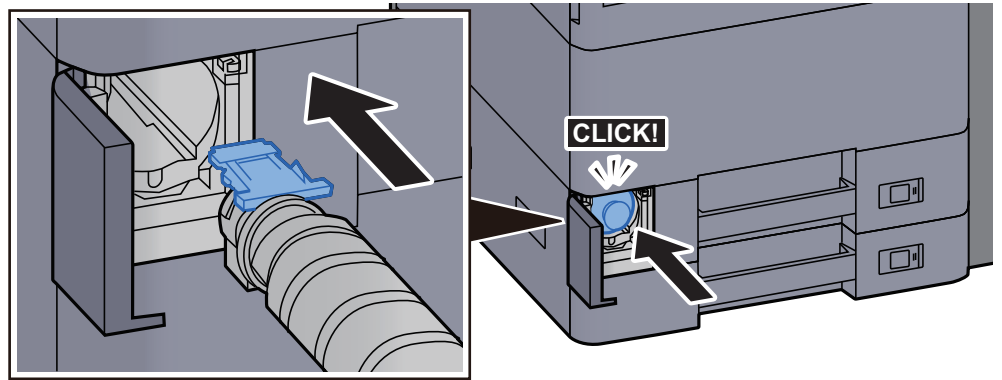
- 3 Put used Waste Toner Box into the plastic waste bag.**



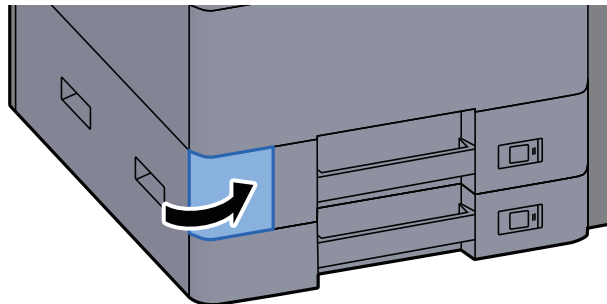
- 4 Remove the new Waste Toner Box.**



5 Install the Waste Toner Box.



6 Close the waste toner box cover.



NOTE

Return the exhausted waste toner box to your dealer or service representative. The collected waste toner box will be recycled or disposed in accordance with the relevant regulations.

Loading Paper

When Cassette # runs out of paper, the following messages will be displayed.

"Add paper in cassette #."

"Add paper in Multipurpose tray."

- ➔ [Loading in Cassette 1 \(page 3-4\)](#)
- ➔ [Loading in Cassette 2 \(page 3-7\)](#)
- ➔ [Loading in the Large Capacity Feeder \(page 3-14\)](#)
- ➔ [Loading in the Side Feeder \(page 3-16\)](#)
- ➔ [Loading Paper in the Multipurpose Tray \(page 5-2\)](#)

NOTE

If [**Show Paper Setup Message**] is set to [**On**], the confirmation screen for the paper setting will be displayed when a new paper is set. If a paper is changed, select [**Change**] and then change the settings of the paper.

- ➔ [Cassette 1 \(to 5\) \(page 8-6\)](#)
- ➔ [MP Tray Setting \(page 8-7\)](#)

Replacing Staples (1,000-Sheet Finisher)

When the Staple Unit runs out of staples, the following messages will be displayed. The staple cartridge holder need to be replenished with staples.

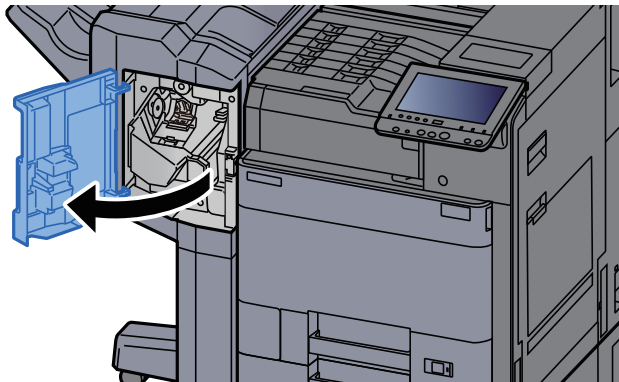
"Staple is empty."



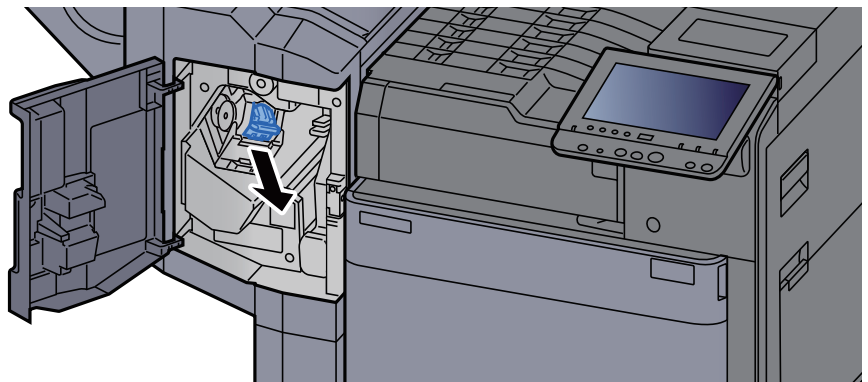
NOTE

If the Staple Unit runs out of staples, contact your dealer or service representative.

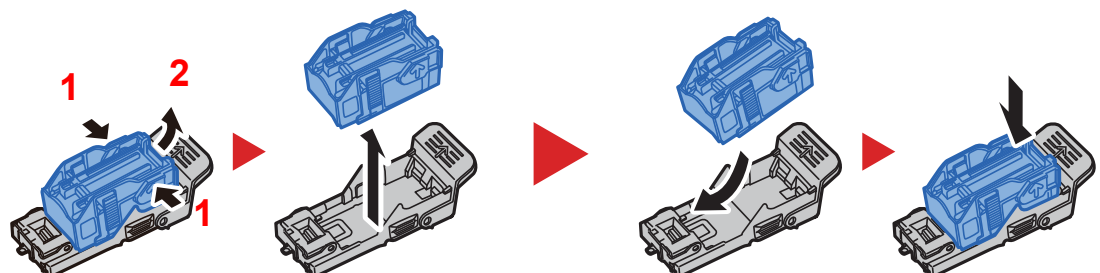
1 Open the finisher front cover.



2 Remove the Staple Cartridge Holder.



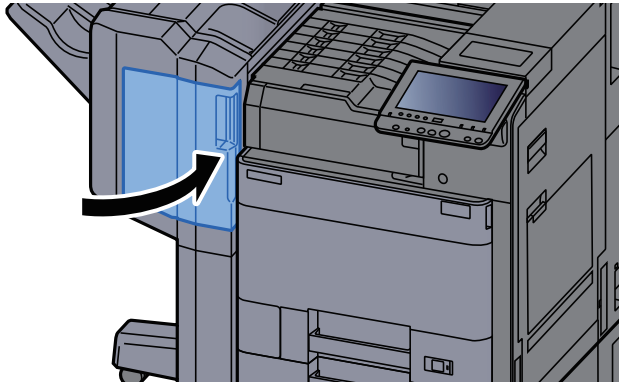
3 Replace the staples.



4 Install the Staple Cartridge Holder.



5 Close the cover.



Replacing Staples (4,000-Sheet Finisher)

When the Staple Unit runs out of staples, the following messages will be displayed. The staple cartridge holder need to be replenished with staples.

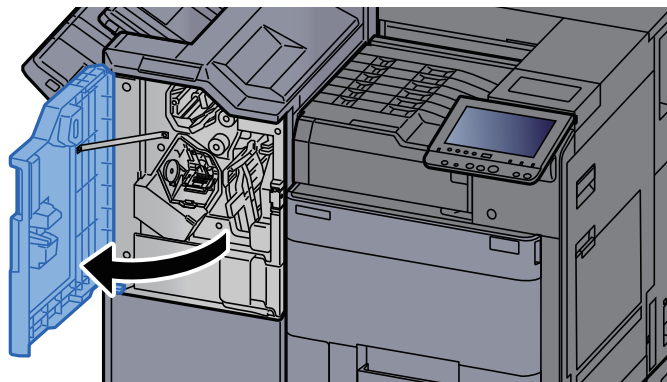
"Staple is empty."



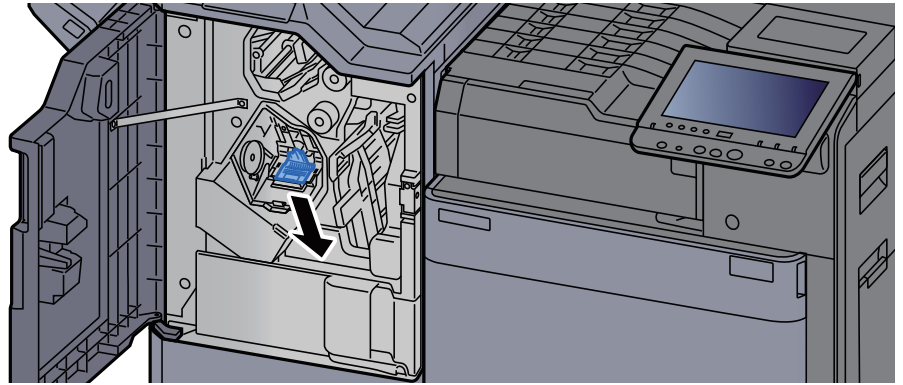
NOTE

If the Staple Unit runs out of staples, contact your dealer or service representative.

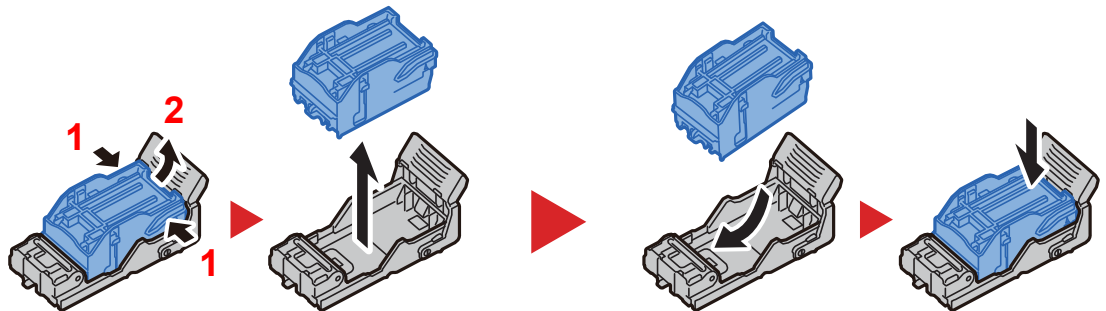
1 Open the finisher front cover 1.



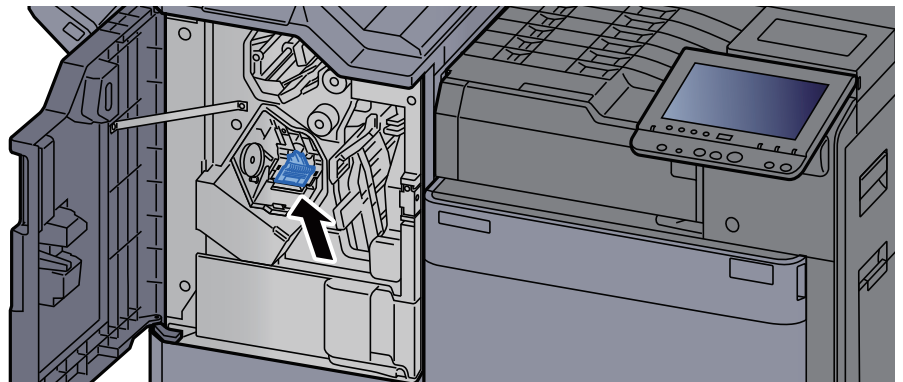
2 Remove the Staple Cartridge Holder (A).



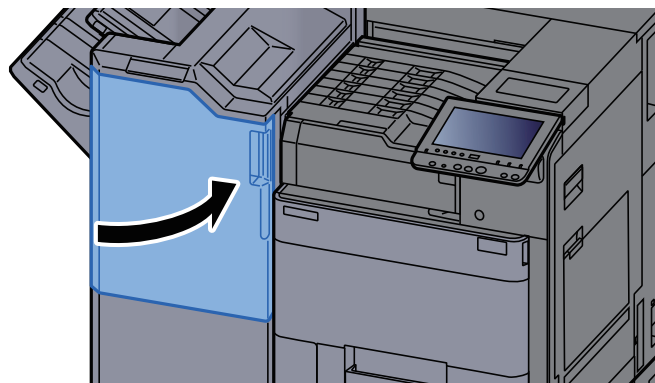
3 Replace the staples.



4 Install the Staple Cartridge Holder (A).



5 Close the cover.



Replacing Staples (Folding Unit)

When the Staple Unit runs out of staples, the following messages will be displayed. The staple cartridge holder need to be replenished with staples.

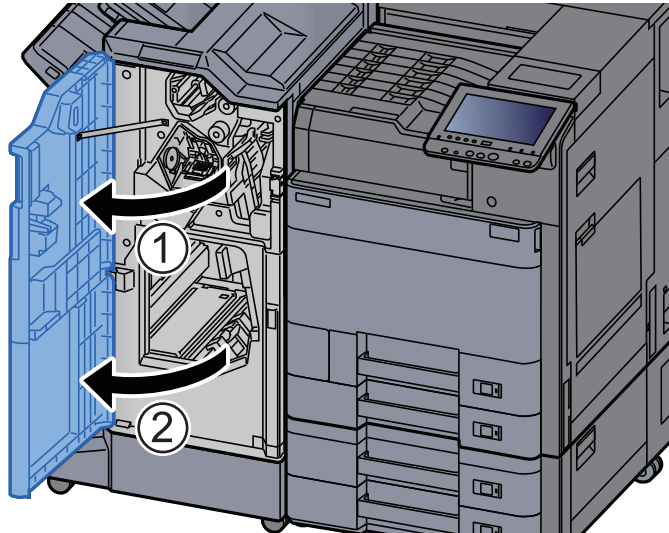
"Staple is empty."



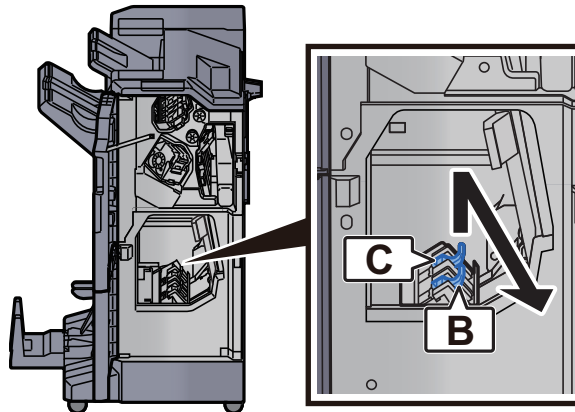
NOTE

If the Staple Unit runs out of staples, contact your dealer or service representative.

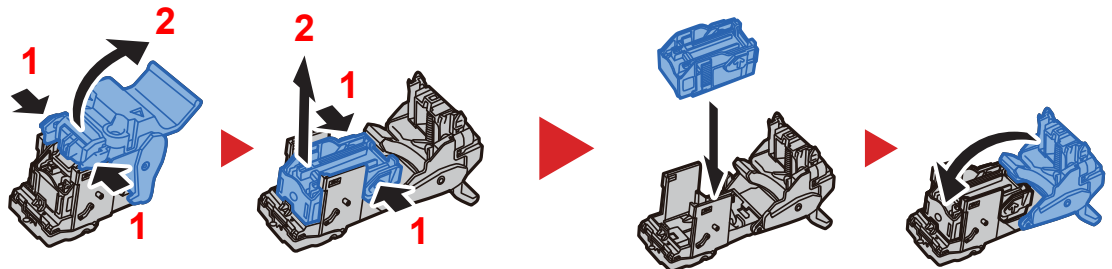
1 Open the finisher front cover 1 and 2.



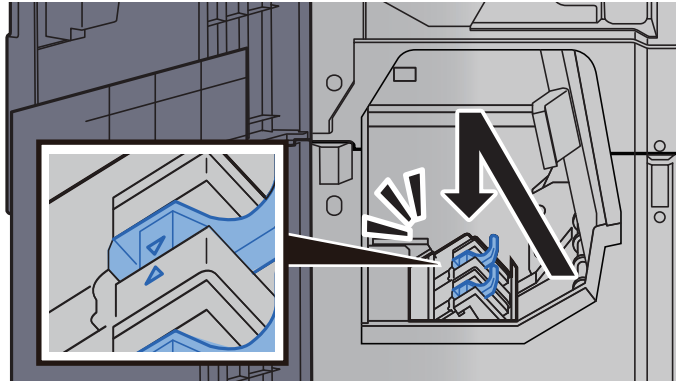
2 Remove the Staple Cartridge Holder (B) or (C).



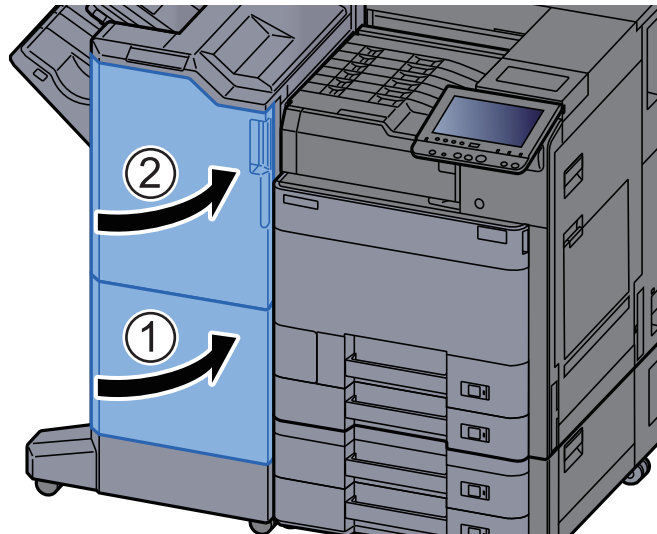
3 Replace the staples.



4 Install the Staple Cartridge Holder (B) or (C).



5 Close the covers.



Disposing of the Punch Waste

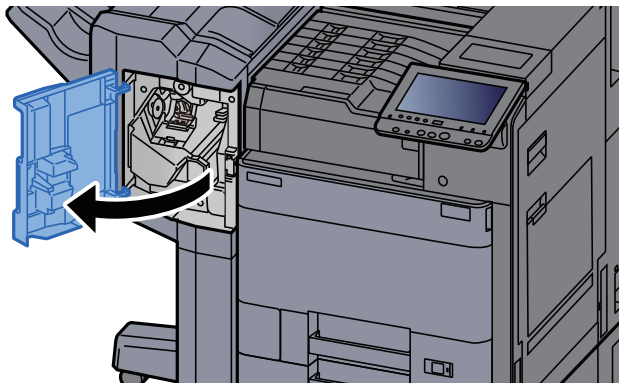
When the waste punch box is full, the following messages will be displayed. Empty the punch waste box.

"Empty the punch waste box."

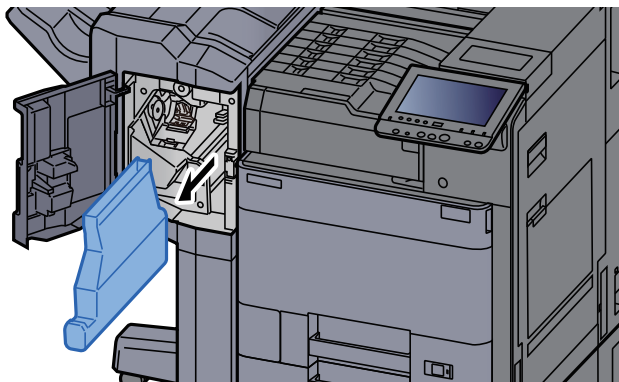
Leave the power switch on the machine switched ON while performing this procedure.

1,000-Sheet Finisher

1 Open the finisher front cover.



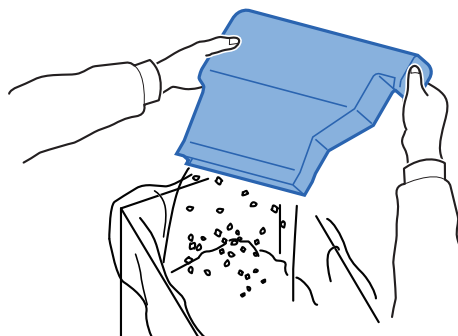
2 Remove the Punch Waste Box.



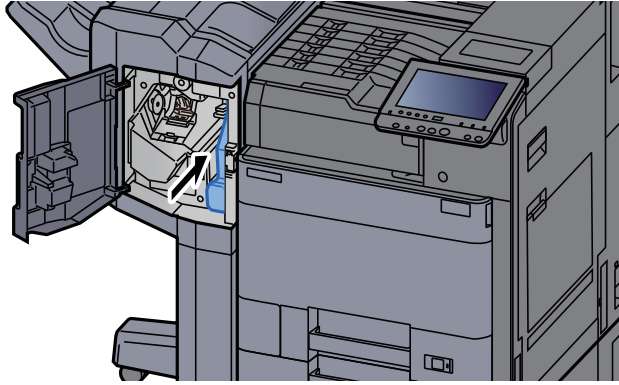
NOTE

Take care not to spill the waste hole punch scraps when removing the box.

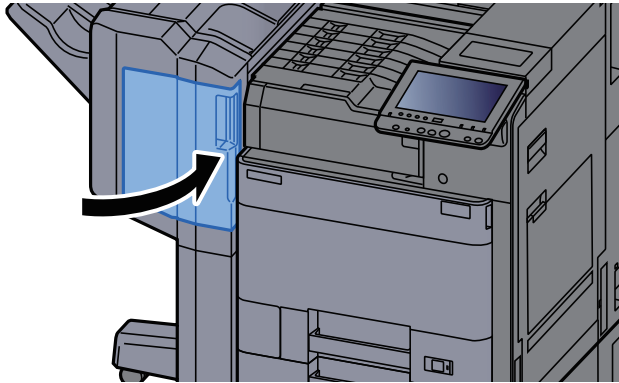
3 Empty the Punch Waste Box.



4 Install the Punch Waste Box.

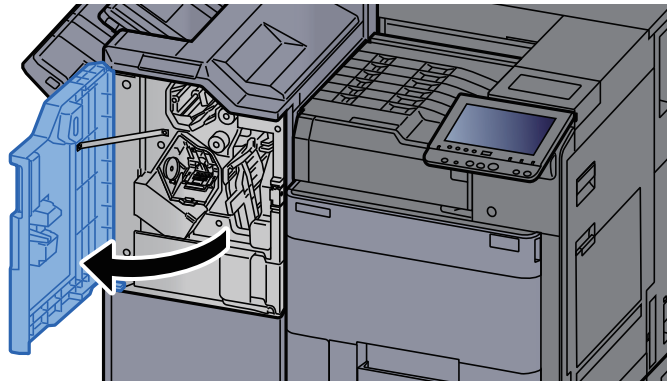


5 Close the cover.

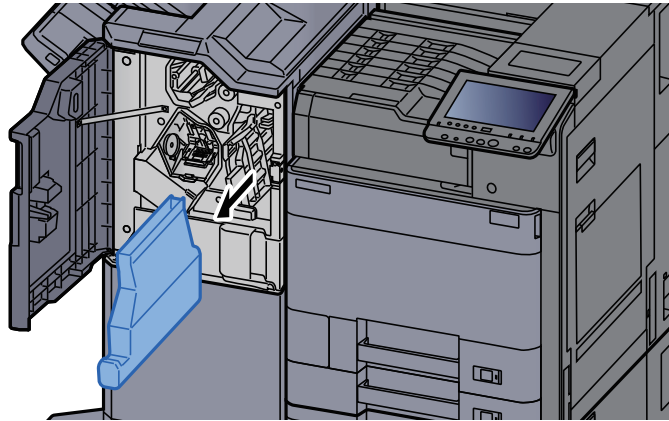


4,000-Sheet Finisher

1 Open the finisher front cover 1.



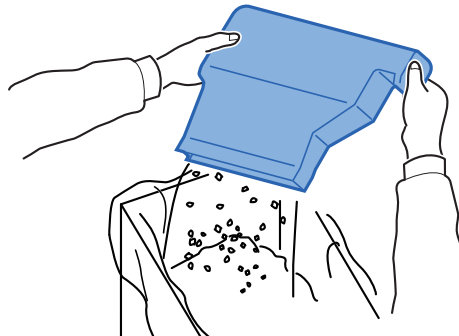
2 Remove the Punch Waste Box.



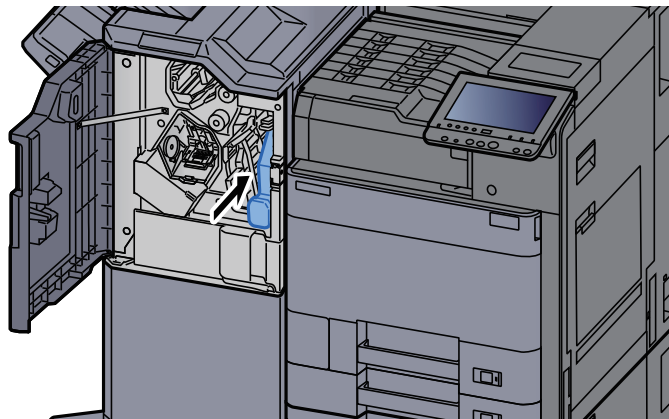
NOTE

Take care not to spill the waste hole punch scraps when removing the box.

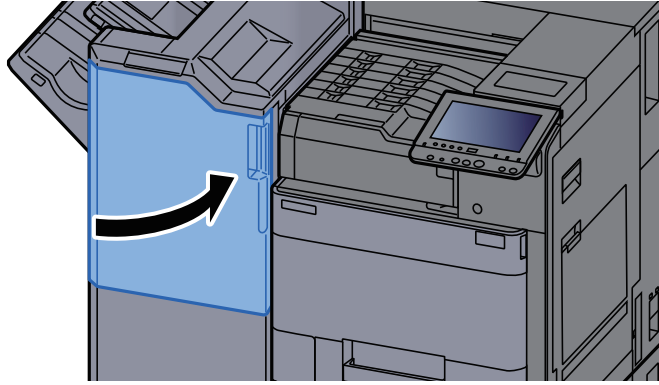
3 Empty the Punch Waste Box.



4 Install the Punch Waste Box.



5 Close the cover.




Troubleshooting

Solving Malfunctions

The table below provides general guidelines for problem solving.

If a problem occurs with your machine, look into the checkpoints and perform procedures indicated on the following pages. If the problem persists, contact your Service Representative.


 **NOTE**

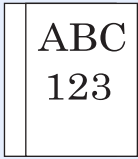
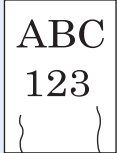

When contacting us, the serial number will be necessary.
To check the serial number, refer to the following:

➔ [Display for Device Information \(page 2-16\)](#)

Machine Operation Trouble

When the following machine operation troubles occur, implement appropriate procedures.

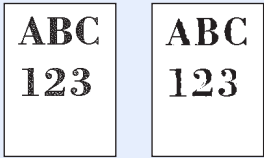
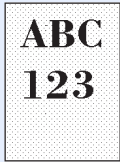
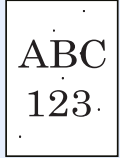
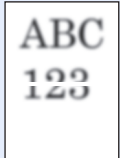


Symptom	Checkpoints	Corrective Actions	Reference Page
An application does not start.	Is the Auto Panel Reset time short?	Set the Auto Panel Reset time to 30 seconds or more.	page 8-50
The screen does not respond when the power switch is turned on.	Is the machine plugged in?	Plug the power cord into an AC outlet.	—
	Is the machine powered on?	Turn on the main power switch.	page 2-2
Pressing the [Start] key does not start printing.	Is there a message on the screen?	Determine the appropriate response to the message and respond accordingly.	page 10-23
	Is the machine in Sleep mode?	Select any key on the operation panel to recover the machine from Sleep mode.	page 2-34
Blank sheets are ejected. 	—	Check that the settings of the application software.	—
Paper often jams.	Is the paper loaded correctly?	Load the paper correctly.	page 3-4
	—	Turn the orientation 180 degrees around in which the paper is positioned.	page 3-4
	Is the paper of the supported type? Is it in good condition?	Remove the paper, turn it over, and reload it.	page 3-4
	Is the paper curled, folded or wrinkled?	Replace the paper with new paper.	page 3-4
	Are there any loose scraps or jammed paper in the machine?	Remove any jammed paper.	page 10-36

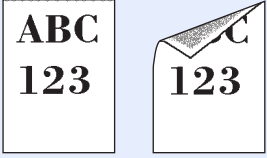
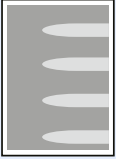
Symptom	Checkpoints	Corrective Actions	Reference Page
<p>2 or more sheets are overlaps when ejected. (multi feed)</p> 	—	Load the paper correctly.	page 3-2
<p>Printouts are wrinkled.</p> 	Is the paper loaded correctly?	Load the paper correctly.	page 3-4
	—	Turn the orientation 180 degrees around in which the paper is positioned.	page 3-4
	Is the paper damp?	Replace the paper with new paper.	page 3-4
<p>Printouts are curled.</p> 	Is the paper damp?	Replace the paper with new paper.	page 3-4
<p>Printer driver cannot be installed.</p>	Is the driver installed with the host name while Wi-Fi or Wi-Fi Direct function is available?	Specify the IP address instead of the host name.	page 2-41
<p>Cannot print.</p>	Is the machine plugged in?	Plug the power cord into an AC outlet.	—
	Is the machine powered on?	Turn on the main power switch.	page 2-2
	Are the USB cable and network cable connected?	Connect the correct USB cable and network cable securely.	page 2-7
	Is the print job paused?	Resume printing.	page 7-9
	<p>When the wired or Wi-Fi network is configured using the name resolution, does the IP address (private address) of the other network which can not access coexists?</p>	<p>The number of host name and domain name which can be used with the machine is one respectively. Configure the network under this restriction.</p>	—
		<p>Change the settings of name resolution such as NetBEUI and DNS, or network environment settings.</p>	Command Center RX User Guide
		<p>Select Wi-Fi, Wired Network or Optional Network as an unlimited-use network on Primary Network (Client).</p>	page 8-45
<p>Set to [Wired Network] or [Wi-Fi] either one of [On], and set the other setting to [Off].</p>	page 8-37		

Symptom	Checkpoints	Corrective Actions	Reference Page
Cannot print with USB memory. USB memory not recognized.	Is the USB host blocked?	Select [Unblock] in the USB host settings.	page 8-46
	—	Check that the USB memory is securely plugged into the machine.	—
While "Auto-IP" is already set to [On], the IP address is not assigned automatically.	Is a value other than "0.0.0.0" entered for the link local address of TCP/IP(v4)?	Enter "0.0.0.0" for the IP address of TCP/IP(v4).	page 2-25
Cannot connect to this machine by using Wi-Fi Direct.	Are three handheld devices connected simultaneously?	Release the connection of handheld devices being connected manually or set a connection after setting the connection time and releasing the connection by automatic disconnection.	page 8-30
Cannot send via the e-mail.	Is the E-mail send size limit set in the SMTP server registered on the machine?	Check the limit value is entered to "E-mail Size Limit" of [E-mail] setting in Command Center RX and change the value as necessary.	page 2-55
The machine is emitting steam in the area around the paper ejection slot.	Check the room temperature to see if it is low, or if damp paper was used.	Depending on the printing environment and the paper's condition, the heat generated during printing will cause the moisture in the paper to evaporate, and the steam emitted may look like smoke. This is not a problem, and you can continue printing. If the steam concerns you, raise the room temperature, or replace the paper with a newer, dryer paper.	—

Printed Image Trouble

When the following printed image trouble occurs, implement appropriate procedures.

Symptom	Checkpoints	Corrective Actions	Reference Page
Printouts are totally too light. 	Is the paper damp?	Replace the paper with new paper.	page 3-2
	Is EcoPrint mode enabled?	Disable [EcoPrint] mode.	page 8-15
	—	Run [Developer Refresh] .	page 10-35
	—	Run [Laser Scanner Cleaning] .	page 10-34
	—	Make sure the paper type setting is correct for the paper being used.	page 8-12
White background parts of the image appear to have a slight overall coloration. 		Run [Calibration] .	page 10-34
Black or color dots appear on the white background. 	—	Run [Developer Refresh] .	page 10-35
Printouts are fuzzy. Printouts are cut off. 	Is the device used in an environment with high humidity or where the temperature or humidity changes suddenly?	Use in an environment that has suitable humidity.	—
	—	Set [Drum Heater] to [On] .	page 8-53
	—	Run [Drum Refresh] .	page 10-34
Images are skewed. 	Is the paper loaded correctly?	Check the position of the paper width guides.	page 3-4
Printouts have vertical lines. 	—	Run [Laser Scanner Cleaning] .	page 10-34

Symptom	Checkpoints	Corrective Actions	Reference Page
<p>Dirt on the top edge or back of the paper.</p> 	<p>Is the interior of the machine dirty?</p>	<p>Open the right cover. If the machine interior is dirty with toner, clean it using soft, dry, lint-free cloth.</p>	<p>—</p>
<p>Part of the image is periodically faint or shows white lines.</p> 	<p>—</p>	<p>Open and then close the right cover.</p>	<p>—</p>
	<p>—</p>	<p>Run [Drum Refresh].</p>	<p>page 10-34</p>
	<p>—</p>	<p>Run [Developer Refresh].</p>	<p>page 10-35</p>

Remote Operation

This function enables the system administrator to explain how to operate the panel and troubleshoot to user, by accessing operation panel of the machine at remote using browser and VNC software.

Executing Remote Operation from Browser

The supported browser is as follows:

- Google Chrome (Version 21.0 or later)
- Internet Explorer (Version 9.0 or later)
- Microsoft Edge
- Mozilla Firefox (Version 14.0 or later)
- Safari (Version 5.0 or later)

This procedure explains how to execute Remote Operation from Command Center RX using Google Chrome.

NOTE

To execute Remote Operation using other browsers, refer to the following:

- ➔ [Command Center RX User Guide](#)

1 Display the screen.

[System Menu/Counter] key > [System/Network] > [Network] > [Protocol Settings]

2 Set "Enhanced VNC over SSL" to [On].

- ➔ [Protocol Settings \(page 8-37\)](#)

NOTE

You can configure the protocol settings using Command Center RX.

- ➔ [Command Center RX User Guide](#)

3 Configure settings for remote operation.

- 1 [System Menu/Counter] key > [System/Network] > [Remote Operation] > [Change] > [On]

- 2 Select [Off], [Use Password], or [Administrator Only].

When you select [Use Password], enter the password in "Password" and "Confirm Password", then select [OK].

- ➔ [Remote Operation \(page 8-49\)](#)

NOTE

You can configure settings for remote operation using Command Center RX

- ➔ [Command Center RX User Guide](#)

4 Restart the machine.

- ➔ [Restart Entire Device \(page 8-49\)](#)

5 Start up the browser.

Enter "https://" and host name of the machine to access the Command Center RX.

➔ [Accessing Command Center RX \(page 2-52\)](#)

6 Select [Device Information/Remote Operation] > [Remote Operation].

7 Click [Start] button.



NOTE

- If the user is logged in to the device, the permission confirmation screen will be displayed on the operation panel. Select **[Yes]**.
- If pop-up blocking of the browser occurs during connection of the Remote Operation, select Always allow pop-ups from https:// [host name], and click Done. Perform Remote Operation after waiting 1 minute or more.

When the Remote Operation is started up, the operation panel screen will be displayed on the system administrator's or user's PC screen.

Executing Remote Panel from VNC Software

1 Display the screen.

[System Menu/Counter] key > [System/Network] > [Network] > [Protocol Settings]

2 Set "Enhanced VNC (RFB)" to [On].

➔ [Protocol Settings \(page 8-37\)](#)



NOTE

- When setting "VNC (RFB) over SSL" to **[On]**, the communication is encrypted.
- You can configure the protocol settings using Command Center RX.

➔ [Command Center RX User Guide](#)

3 Startup the remote operation.

1 Start up the VNC software.

2 Enter the following format separated by a colon to start up the remote operation.

"IP address: port number"




NOTE

When setting "VNC (RFB)" to **[On]** in step 2, the default port number is 9062. When setting "VNC (RFB) over SSL" to **[On]**, the default port number is 9063.

➔ [Protocol Settings \(page 8-37\)](#)

Responding to Messages

If the touch panel or the computer displays any of these messages, follow the corresponding procedure.

 **NOTE**

When contacting us, the serial number will be necessary. To check the serial number, refer to the following:

➔ [Display for Device Information \(page 2-16\)](#)

A

Message	Checkpoints	Corrective Actions	Reference Page
Acceptable fold count exceeded.	Is the acceptable number of sheets exceeded?	Select [Continue] to print using Fold per acceptable number of sheets. Select [Cancel] to cancel the job.	—
Acceptable staple count exceeded.*1	Is the acceptable number of sheets exceeded?	Select [Continue] to print without using Staple. Select [Cancel] to cancel the job.	—
Access point was not detected.	—	Check if the access point has been set correctly.	—
Activation error.	—	Failed to activate the application. Contact administrator.	—
	—	Expansion Authentication is disabled. Turn the power switch off and on. If the error exists, contact administrator.	—
Add paper in cassette #.	Is the indicated cassette out of paper?	Load paper. Select the available paper. Select [Continue] to print.	page 3-2
	Are five or less envelopes loaded in the cassette?	Pull the cassette and loosen the paper length and width guides slightly.	—
Add paper in multipurpose tray.	Is the paper of the selected size loaded in the multipurpose tray?	Load paper. Select the available paper. Select [Continue] to print.	page 5-2

*1 When Auto Error Clear is set to [**On**], processing resumes automatically after a set amount of time elapses. For details on Auto Error Clear, refer to the following:

➔ [Auto Error Clear \(page 8-50\)](#)



B

Message	Checkpoints	Corrective Actions	Reference Page
Box is not found.	—	The specified box cannot be found. Job is canceled. Select [End] .	—

C

Message	Checkpoints	Corrective Actions	Reference Page
Calibrating...	—	The machine is under the adjustment to maintain its quality. Please wait.	—
Cannot Banner Print.	—	System stamp is set up. Banner print cannot be carried out. Job is canceled. Select [End] .	—
Cannot connect.	—	This appears when the Wi-Fi or Wi-Fi Direct connection did not complete. Check the settings, and check the signal conditions.	page 8-30 page 8-31
Cannot connect to Authentication Server.*¹	—	Set machine time to match the server's time.	page 2-24
	—	Check the domain name.	page 9-2
	—	Check the host name.	page 9-2
	—	Check the connection status with the server.	—
Cannot connect to Server.	—	Check the connection status with the server.	—
Cannot duplex print on this paper.*¹	Did you select a paper size/type that cannot be duplex printed?	If the selected paper is not changed and [Continue] is selected, duplex is released. Select the available paper. Select [Continue] to print.	page 6-18
Cannot fold this paper.	Did you select a paper size/type that cannot be folded?	If the selected paper is not changed and [Continue] is selected, fold is released. Select the available paper. Select [Continue] to print.	page 6-7
Cannot offset this paper.*¹	Did you select a paper size/type that cannot be offset?	If the selected paper is not changed and [Continue] is selected, offset is released. Select the available paper. Select [Continue] to print.	page 6-8
Cannot perform remote printing.	—	Remote printing is prohibited. The job is canceled. Select [End] .	—

Message	Checkpoints	Corrective Actions	Reference Page
Cannot print the specified number of copies.*¹	—	Only one copy is available. Select [Continue] to continue printing. Select [Cancel] to cancel the job.	—
Cannot process this job.*¹	—	Restricted by Authorization settings. The job is canceled. Select [End] .	—
	—	Restricted by Job Accounting. The job is canceled. Select [End] .	page 9-21
Cannot punch at the specified position.	Have you selected a position that cannot be punched?	If the selected paper is not changed and [Continue] is selected, punch is released. Select the available paper. Select [Continue] to print.	page 6-11
Cannot punch this paper.	Did you select a paper size/type that cannot be punched?	If the selected paper is not changed and [Continue] is selected, punch is released. Select the available paper. Select [Continue] to print.	page 6-11
Cannot read data in this ID card.	—	In registration process, the ID card information was not read correctly. Hold again the ID card over the ID card reading part. If the same message still appears, the ID card may not be compatible with this product. Change it to another ID card.	—
Cannot recognize.	—	Make sure your ID card has been registered.	—
Cannot staple at the specified position.	Have you selected a position that cannot be stapled?	If the selected paper is not changed and [Continue] is selected, staple is released. Select the available paper. Select [Continue] to print.	page 6-9
Cannot staple this paper.*¹	Did you select a paper size/type that cannot be stapled?	If the selected paper is not changed and [Continue] is selected, staple is released. Select the available paper. Select [Continue] to print.	page 6-9
Cannot use ##### due to a failure.	—	Call service.	—

Message	Checkpoints	Corrective Actions	Reference Page
Checking the waste toner box. #####	Is the waste toner box full?	Replace the toner container. Reuse the black (K) toner container as a waste toner box. Handle the color toner containers according to the instructions supplied with them. Select [Next] . The instructions will be displayed.  NOTE If you select [Open Toner Container Cover] , you can open the Toner Container Cover that you closed accidentally.	—
Check the paper in the multipurpose tray.	—	The paper size is different. Set selected size paper and select [Continue] .	page 5-2
Check the side feeder.	—	The side feeder is not installed correctly. Attach the side feeder.	—
Check the toner container.	—	Open the main unit front cover and remove the toner container. Shake carefully and replace.  NOTE If you select [Open Toner Container Cover] , you can open the Toner Container Cover that you closed accidentally.	—

*1 When Auto Error Clear is set to **[On]**, processing resumes automatically after a set amount of time elapses. For details on Auto Error Clear, refer to the following:
 ➔ [Auto Error Clear \(page 8-50\)](#)

E

Message	Checkpoints	Corrective Actions	Reference Page
Empty the punch waste box.	Is the punch waste box full?	Follow the instructions on the screen. and empty the punch waste box.	page 10-12
Error occurred at cassette #.	—	Open the cassette. Check inside the machine and remove the paper.	—

F

Message	Checkpoints	Corrective Actions	Reference Page
Failed to specify Job Accounting.*¹	—	Failed to specify Job Accounting when processing the job externally. The job is canceled. Select [End] .	—
Failed to store job retention data.	—	The job is canceled. Select [End] .	—
Finisher tray is full of paper.	Is the acceptable storage capacity exceeded?	Remove the paper. Printing then resumes.	—
Folding tray is full of paper.	Is the acceptable storage capacity exceeded?	Remove the paper. Printing then resumes.	—

*1 When Auto Error Clear is set to **[On]**, processing resumes automatically after a set amount of time elapses. For details on Auto Error Clear, refer to the following:

➔ [Auto Error Clear \(page 8-50\)](#)

H

Message	Checkpoints	Corrective Actions	Reference Page
Hard Disk error.	—	An error has occurred on the hard disk. Job is canceled. Select [End] . The error codes are as follows. 01: The amount of data that can be saved at once has been exceeded. Restart the system or turn the power OFF/ON. If the error still occurs, divide the file into smaller files. If the error occurs after the file is divided, the hard disk is damaged. Execute [System Initialization] . 04: Insufficient space on the hard disk to complete this operation. Move data or delete unneeded data.	—
Hard disk failure. Call service.	—	Call service.	—

I

Message	Checkpoints	Corrective Actions	Reference Page
Incorrect account ID.*¹	—	The account ID was incorrect when processing the job externally. The job is canceled. Select [End] .	—

Message	Checkpoints	Corrective Actions	Reference Page
Incorrect box password.	—	The box password was incorrect when processing the job externally. The job is canceled. Select [End] .	—
Incorrect Login User Name or Password.*¹	—	The login user name or password was incorrect when processing the job externally. The job is canceled. Select [End] .	—
Install the punch waste box.	—	Follow the instructions on the screen. and install the punch waste box.	page 10-12
Install the waste toner box.	—	The waste toner box is not installed correctly. Set it correctly.	page 10-5

*1 When Auto Error Clear is set to **[On]**, processing resumes automatically after a set amount of time elapses. For details on Auto Error Clear, refer to the following:

➔ [Auto Error Clear \(page 8-50\)](#)

J

Message	Checkpoints	Corrective Actions	Reference Page
Job Accounting restriction exceeded.*¹	Is the acceptable printing count restricted by Job Accounting exceeded?	The printing count exceeded the acceptable count restricted by Job Accounting. Cannot print any more. The job is canceled. Select [End] .	—
Job separator tray is full of paper.	Is the acceptable storage capacity exceeded?	Remove the paper and select [Continue] . Printing then resumes.	—

*1 When Auto Error Clear is set to **[On]**, processing resumes automatically after a set amount of time elapses. For details on Auto Error Clear, refer to the following:

➔ [Auto Error Clear \(page 8-50\)](#)

K

Message	Checkpoints	Corrective Actions	Reference Page
KPDL error.*¹	—	PostScript error has occurred. The job is canceled. Select [End] .	—

*1 When Auto Error Clear is set to **[On]**, processing resumes automatically after a set amount of time elapses. For details on Auto Error Clear, refer to the following:

➔ [Auto Error Clear \(page 8-50\)](#)

M

Message	Checkpoints	Corrective Actions	Reference Page
Machine failure.	—	Internal error has occurred. Make a note of the error code displayed on the screen. Call service.	—
Mailbox tray is full of paper.	Is the acceptable storage capacity exceeded?	Remove the paper. Printing then resumes.	—
Main unit main tray is full of paper.	Is the acceptable storage capacity exceeded?	Remove the paper. Printing then resumes.	—
Memory is full.*1	—	The process cannot be performed due to insufficient memory. If only [End] is available, select [End] . The job will be canceled. When insufficient memory occurred frequently, contact your dealer or service representative.	—
	—	The memory is full and the job cannot be continued. Select [Continue] to print the scanned pages. The print job cannot be processed completely. Select [Cancel] to cancel the job.	—

*1 When Auto Error Clear is set to **[On]**, processing resumes automatically after a set amount of time elapses. For details on Auto Error Clear, refer to the following:

➔ [Auto Error Clear \(page 8-50\)](#)

N

Message	Checkpoints	Corrective Actions	Reference Page
Non-genuine toner installed.	Is the installed toner container our own brand?	We will not be liable for any damage caused by the use of third party supplies in this machine.	—

P


Message	Checkpoints	Corrective Actions	Reference Page
Paper jam.	—	If a paper jam occurs, the machine will stop and the location of the jam will be indicated on the screen. Leave the machine on and follow the instructions to remove the jammed paper.	page 10-36

Message	Checkpoints	Corrective Actions	Reference Page
Paper left.	—	Remove paper from the document finisher.	—
	—	Remove paper from the finisher tray.	—
	—	Remove the paper from the folding tray of the finisher.	—
Performing Drum Refresh...	—	The machine is under the adjustment to maintain its quality. Please wait.	—
Preparing to print.	—	The machine is under the adjustment to maintain its quality. Please wait.	—

R

Message	Checkpoints	Corrective Actions	Reference Page
Regulating the temperature...	—	The machine is under the adjustment to maintain its quality. Please wait.	—
Running security function...	—	Running security function. Please wait.	—

S

Message	Checkpoints	Corrective Actions	Reference Page
SSD error.	—	<p>An error has occurred on the SSD. Job is canceled. Select [End].</p> <p>The error cords are as follows.</p> <p>01: The amount of data that can be saved at once has been exceeded. Restart the system or turn the power OFF/ON. If the error still occurs, divide the file into smaller files. If the error occurs after the file is divided, the SSD is damaged. Execute [System Initialization].</p> <p>04: Insufficient space on the SSD to complete this operation. Move data or delete unneeded data.</p> <p> NOTE</p> <p>Please be aware that when you carry out initialization of the system, the data saved in SSD will be erased.</p>	—
Staple is empty. *1	Has the staple cartridge holder run out of staples?	<p>If the staples are depleted, the machine will stop and the location of staple depletion will be indicated on the screen. Leave the machine on and follow the instructions to replace the staple case. Select [Continue] to print without stapling. Select [Cancel] to cancel the job.</p>	page 10-7 page 10-8 page 10-10
Staple is empty. (Manual Staple)	Has staple cartridge holder A run out of staples?	Add staples to staple cartridge holder A.	page 10-8
Staple jam.	—	<p>If a staple jam occurs, the machine will stop and the location of the jam will be indicated on the screen. Leave the machine on and follow the instructions to remove the jammed staple.</p>	page 10-83
System error.	—	<p>System error has occurred. Follow the instructions on the screen.</p>	—

*1 When Auto Error Clear is set to **[On]**, processing resumes automatically after a set amount of time elapses. For details on Auto Error Clear, refer to the following:

➔ [Auto Error Clear \(page 8-50\)](#)

T

Message	Checkpoints	Corrective Actions	Reference Page
The cover is open.	Is there any cover which is open?	Close the cover indicated on the screen.	—
The device cannot be connected because allowed connections would be exceeded.	Are three handheld devices connected simultaneously?	Cancel a connection to a portable device that is not being used, or set the machine's auto disconnect time to break portable device connections.	page 8-30
The folding unit is open.	—	Close the folding unit.	—
The toner container is improperly installed.	—	The toner container is improperly installed or not installed. Open the front cover and set the toner container correctly.	—
This ID card is already registered to another user.	—	Your ID card has already been registered. Change it to another ID card.	—
Time for maintenance soon. #####	—	Call service.	—
Toner is empty.	—	Replace the toner container to our specified toner container.	page 10-2
Toner is low. (Replace when empty.)	—	It is almost time to replace the toner container. Obtain a new toner container.	—
Tray # is full of paper.	Is the acceptable storage capacity exceeded?	Remove the paper. Printing then resumes.	—

U

Message	Checkpoints	Corrective Actions	Reference Page
Unknown Toner Installed. PC	Does the installed toner container's regional specification match the machine's?	Install the specified container.	—

W

Message	Checkpoints	Corrective Actions	Reference Page
Warning for high temperature. Adjust the room temperature.	—	Print quality may be deteriorated. Adjust the temperature and the humidity of your room.	—
Warning for low temperature. Adjust the room temperature.	—	Print quality may be deteriorated. Adjust the temperature and the humidity of your room.	—
Warning low memory.	—	Cannot start the job. Try again later.	—
Waste toner box almost full.	—	It is almost time to replace the waste toner box. Obtain a new waste toner box.	—
Waste toner box is full.	Is the waste toner box full?	Replace the waste toner box.	page 10-5

Y

Message	Checkpoints	Corrective Actions	Reference Page
You cannot use this box.	—	You cannot use the specified box. Job is canceled. Select [End] .	—

Adjustment/Maintenance

Overview of Adjustment/Maintenance

If there is an image problem and the message to run adjustment or maintenance menu appears, run Adjustment/Maintenance in the system menu.

The table below lists the item you can carry out.

Item	Description	Reference Page
Drum Refresh	Remove image blur and white dots from the printout.	page 10-34
Calibration	Calibrate the device to ensure consistency with the original tone.	page 10-34
Laser Scanner Cleaning	Remove vertical white lines from the printout.	page 10-34
Developer Refresh	Adjust the printed image that is too light or incomplete, even though there is enough toner.	page 10-35

Drum Refresh

Remove image blur and white dots from the printout.



NOTE

Drum Refresh cannot be performed while printing. Execute Drum Refresh after the printing is done.

- 1 Display the screen.**
[System Menu/Counter] key > [Adjustment/Maintenance] > "Drum Refresh" [Next]
- 2 Perform the drum refresh.**
Select [Start]. "Drum Refresh" begins.

Calibration

Calibrate the device to ensure consistency with the original tone.

- 1 Display the screen.**
[System Menu/Counter] key > [Adjustment/Maintenance] > "Calibration" [Next]
- 2 Perform the calibration.**
Select [Start]. "Calibration" begins.

Laser Scanner Cleaning

Remove vertical white lines from the printout.

- 1 Display the screen.**
[System Menu/Counter] key > [Adjustment/Maintenance] > "Laser Scanner Cleaning" [Next]

2 Perform the laser scanner cleaning.

Select **[Start]**. "Laser Scanner Cleaning" begins.

Developer Refresh

Adjust the printed image that is too light or incomplete, even though there is enough toner.

1 Display the screen.

[System Menu/Counter] key > **[Adjustment/Maintenance]** > "Developer Refresh" **[Next]**

2 Perform the Developer Refresh.

Select **[Start]**. "Developer Refresh" begins.



NOTE

Waiting time may be longer when the toner is refilled during developer refresh.

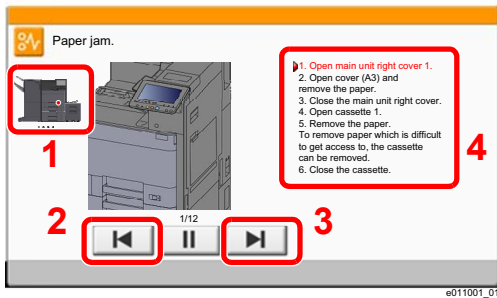
Clearing Paper Jams

If a paper jam occurs, printing stops and the location at which the paper jam has occurred and the following message appear on the touch panel.

"Paper Jam."

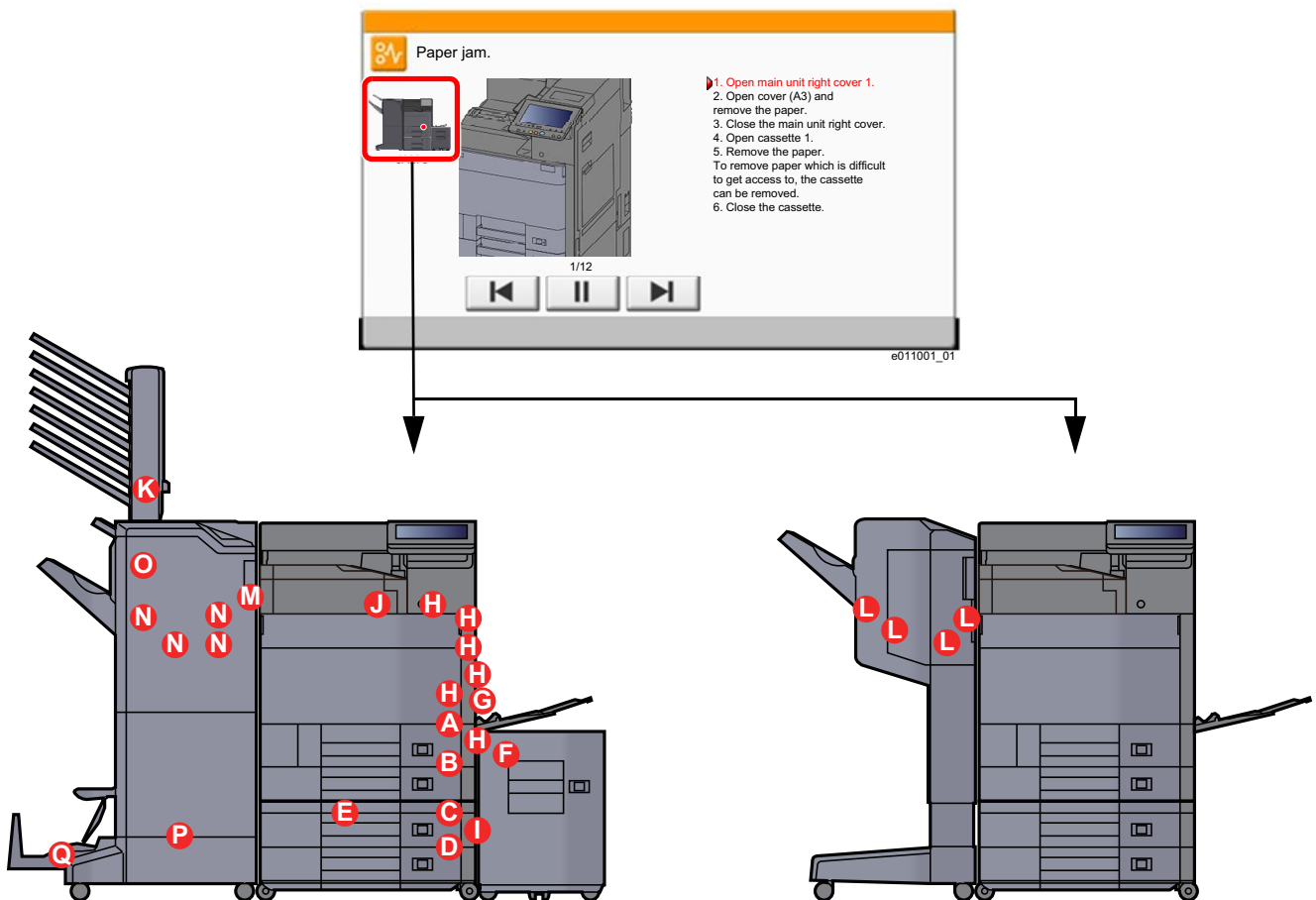
Refer to these procedures to remove the jammed paper.

Jam Location Indicators



- 1 Shows the location of a paper jam.
- 2 Shows the previous step.
- 3 Shows the next step.
- 4 Shows the removal procedure.

If a paper jam occurs, the location of the jam will be displayed on the touch panel as well as the clearing instructions.



Paper Jam Location Indicator	Paper Jam Location	Reference Page
A	Cassette 1	page 10-37
B	Cassette 2	page 10-40
C	Cassette 3 (500-sheet×2)	page 10-43
	Cassette 3 (1,500-sheet×1)	page 10-45
D	Cassette 4 (500-sheet×2)	page 10-43
E	Cassette 4 (1,500-sheet×2)	page 10-47
F	Cassette 5 (Side Feeder)	page 10-50
G	Multipurpose Tray	page 10-52
H	Right Cover 1	page 10-53
I	Right Cover 2	page 10-57
J	Bridge Unit	page 10-60
K	Mailbox	page 10-61
L	1,000-Sheet Finisher	page 10-62
M	4,000-Sheet Finisher (Inner)	page 10-65
N	4,000-Sheet Finisher (Tray A)	page 10-66
O	4,000-Sheet Finisher (Tray B)	page 10-70
P	Folding Unit	page 10-73
Q	Folding Tray	page 10-78

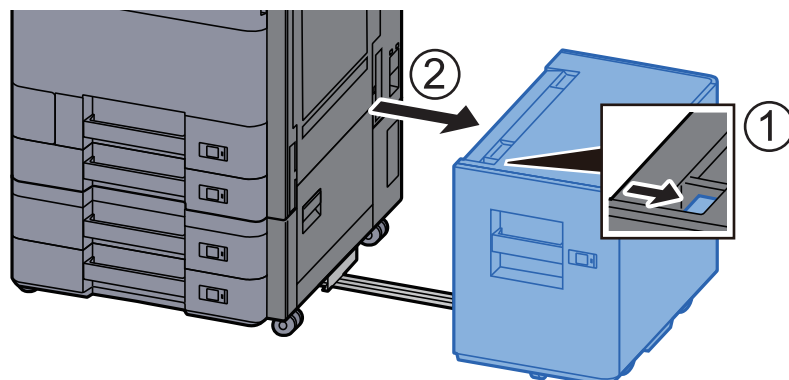
After you remove the jam, the machine will warm up again and the error message will be cleared. The machine resumes with the page that was printing when the jam occurred.

Remove any jammed paper in Cassette 1

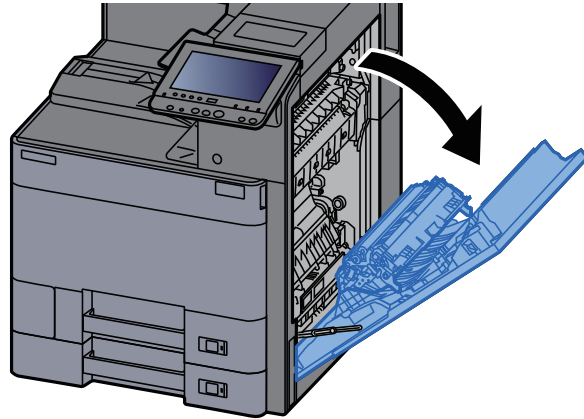
CAUTION

- Do not reuse jammed papers.
- If the paper tears during removal, be sure to remove any loose scraps of paper from inside the machine. Scraps of paper left in the machine could cause subsequent jamming.

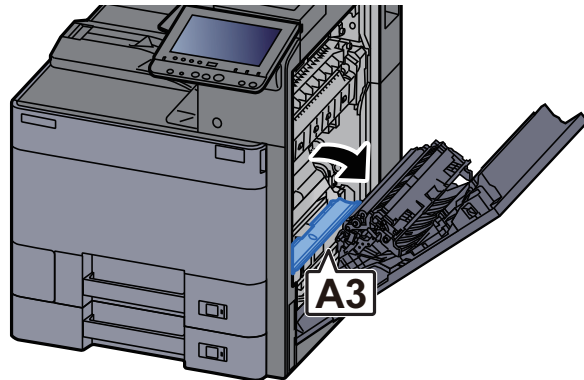
1 If the optional side feeder is installed, detach the side feeder.



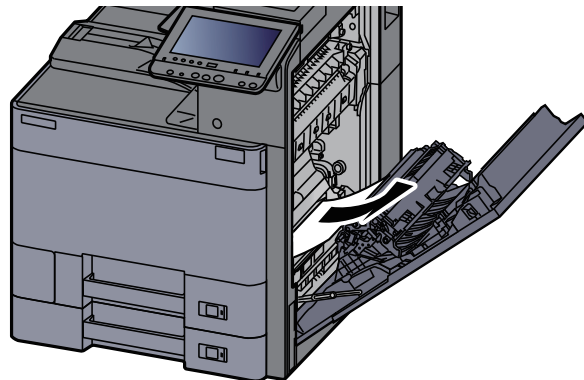
2 Open Right Cover 1.



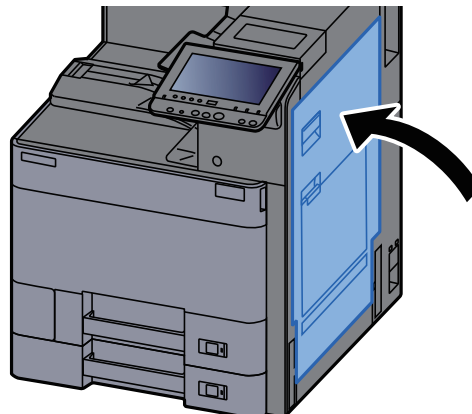
3 Open the cover (A3).



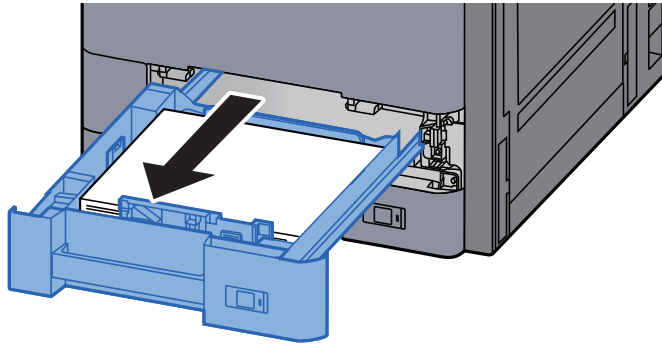
4 Remove any jammed paper.



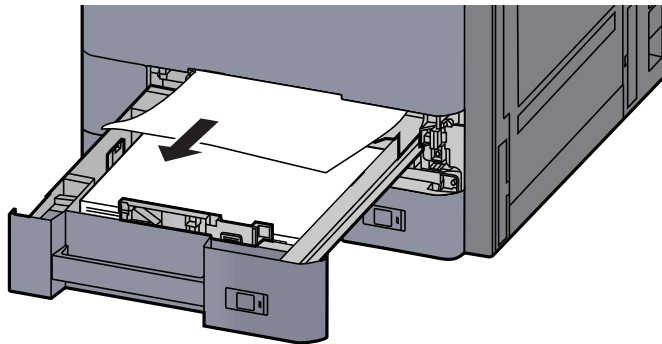
5 Return the cover to the original position.



6 Pull Cassette 1 out toward you until it stops.

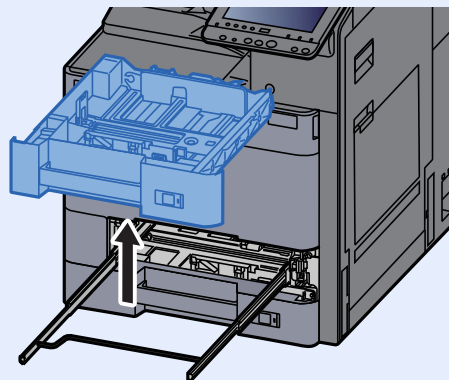


7 Remove any jammed paper.

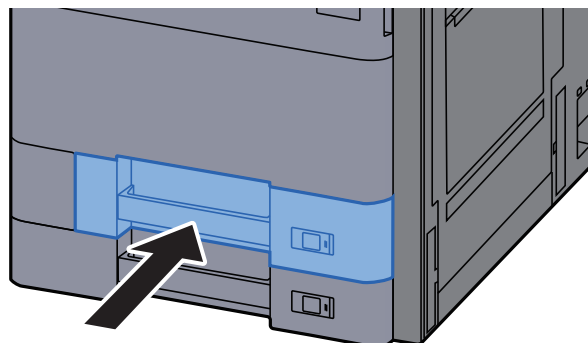


NOTE

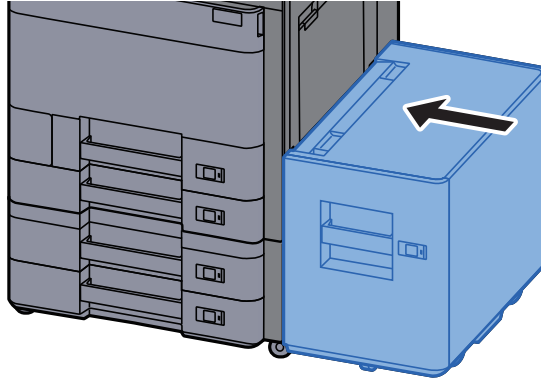
To remove paper which is difficult to get access to, the cassette can be removed.



8 Push Cassette 1 back in.



- 9 If the optional side feeder is installed, return the side feeder to the original position.**

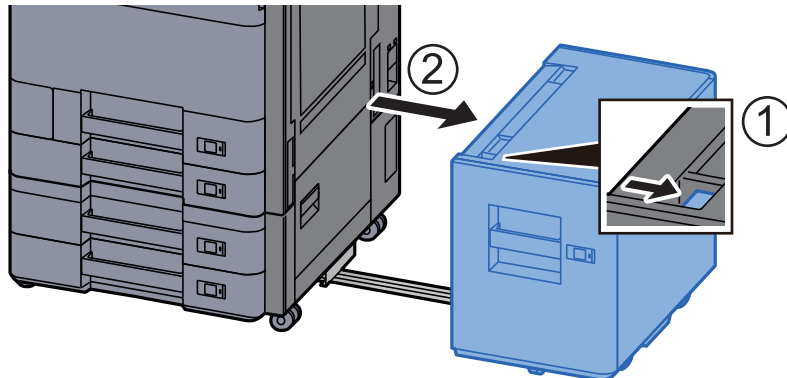


Remove any jammed paper in Cassette 2

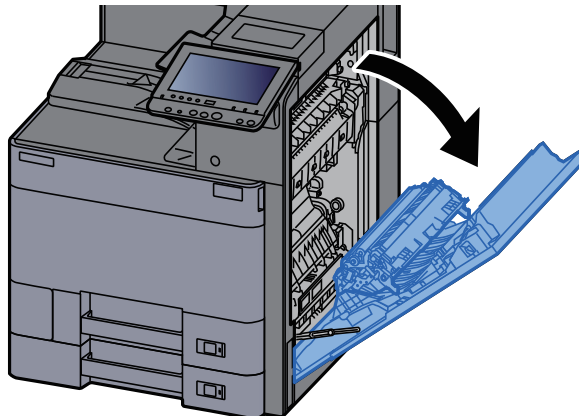
CAUTION

- Do not reuse jammed papers.
- If the paper tears during removal, be sure to remove any loose scraps of paper from inside the machine. Scraps of paper left in the machine could cause subsequent jamming.

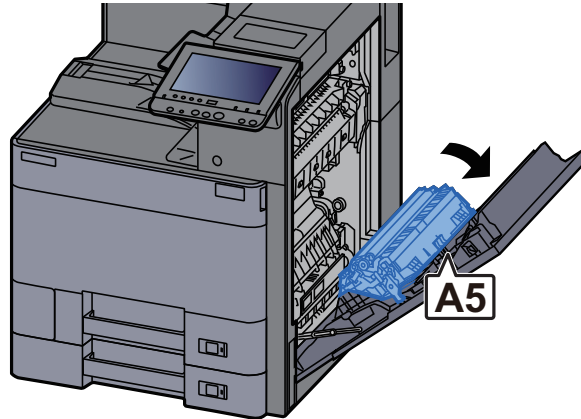
- 1 If the optional side feeder is installed, detach the side feeder.**



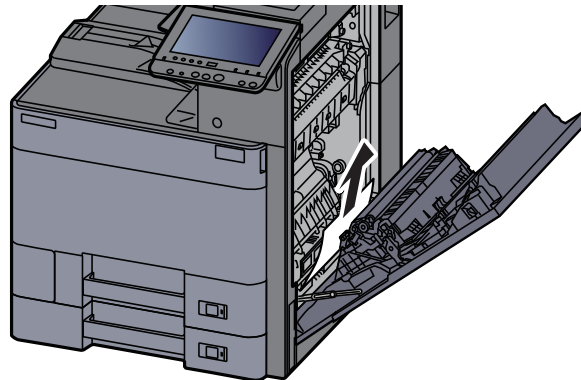
- 2 Open Right Cover 1.**



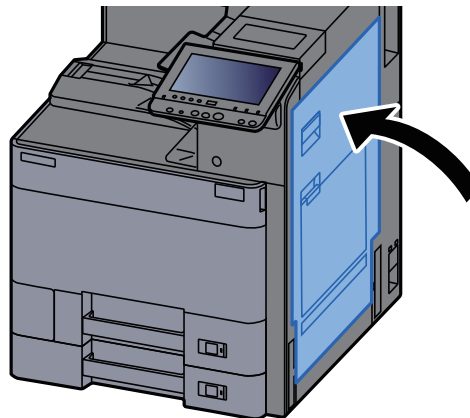
3 Close the duplex unit (A5).



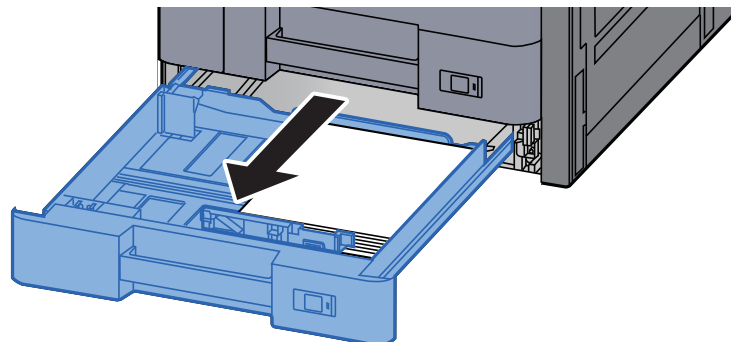
4 Remove any jammed paper.



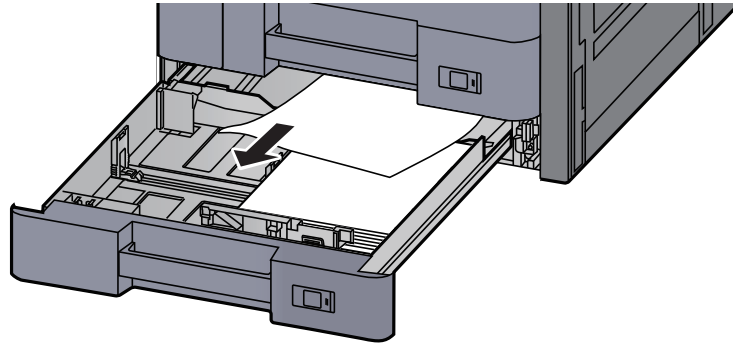
5 Return the cover to the original position.



6 Pull Cassette 2 out toward you until it stops.

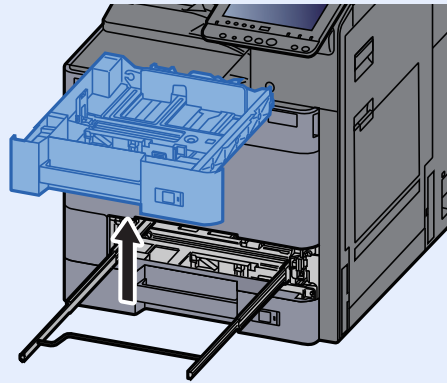


7 Remove any jammed paper.

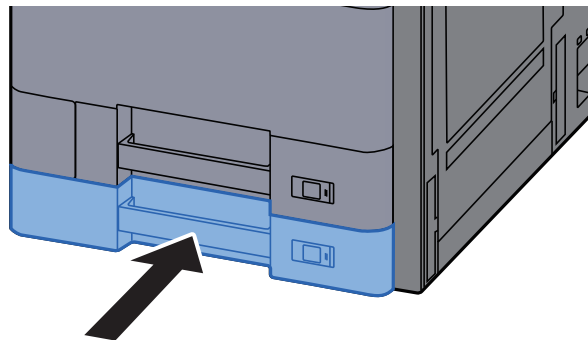


NOTE

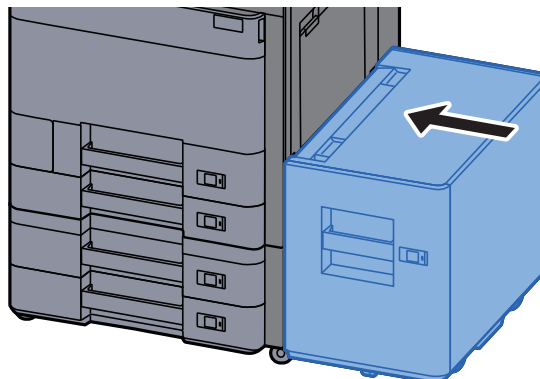
To remove paper which is difficult to get access to, the cassette can be removed.



8 Push Cassette 2 back in.



9 If the optional side feeder is installed, return the side feeder to the original position.



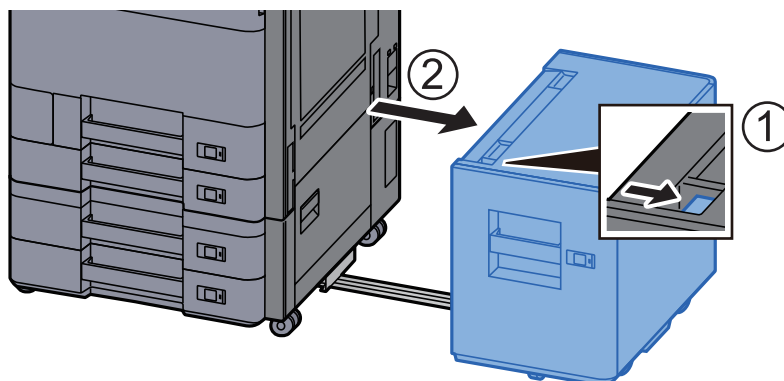
Remove any jammed paper in Cassette 3 and 4 (500-sheet×2)

See the explanation for Cassette 3 below.

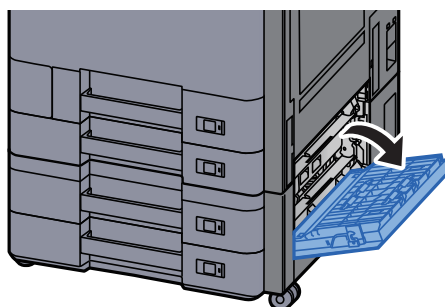
CAUTION

- Do not reuse jammed papers.
- If the paper tears during removal, be sure to remove any loose scraps of paper from inside the machine. Scraps of paper left in the machine could cause subsequent jamming.

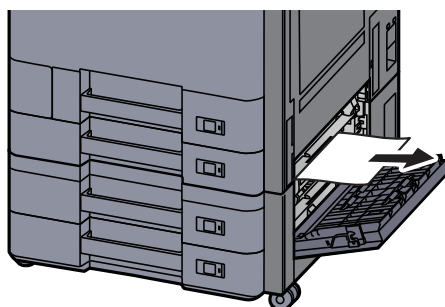
1 If the optional side feeder is installed, detach the side feeder.



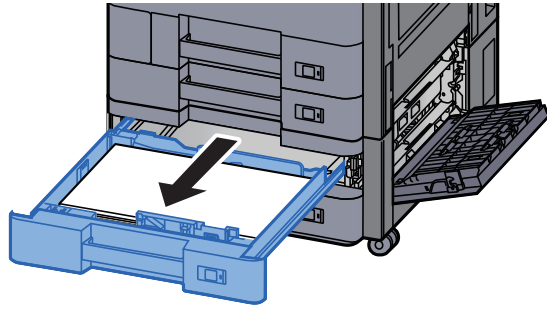
2 Open Right Cover 2.



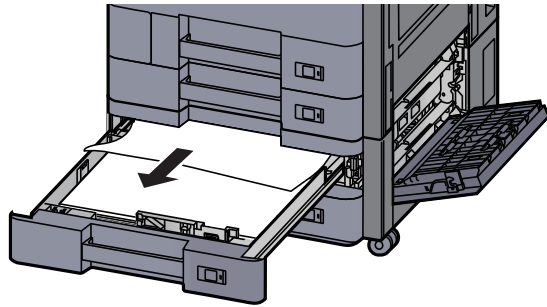
3 Remove any jammed paper.



4 Pull Cassette 3 out toward you until it stops.

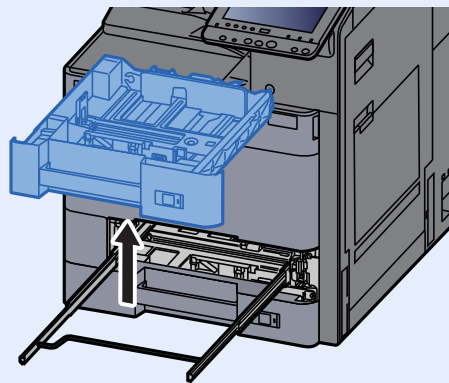


5 Remove any jammed paper.

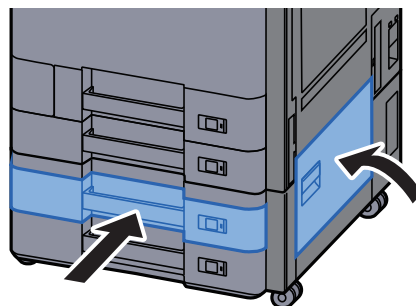


NOTE

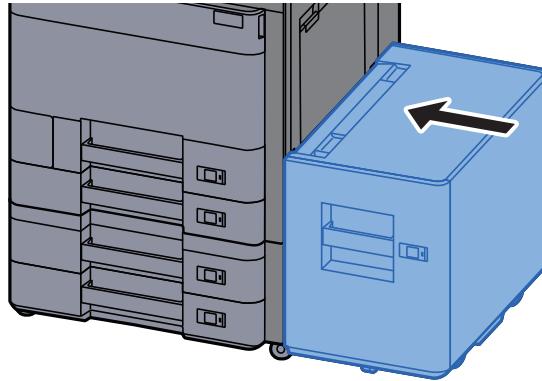
To remove paper which is difficult to get access to, the cassette can be removed.



6 Push Right Cover 2 and Cassette 3 back in.



- 7 If the optional side feeder is installed, return the side feeder to the original position.**

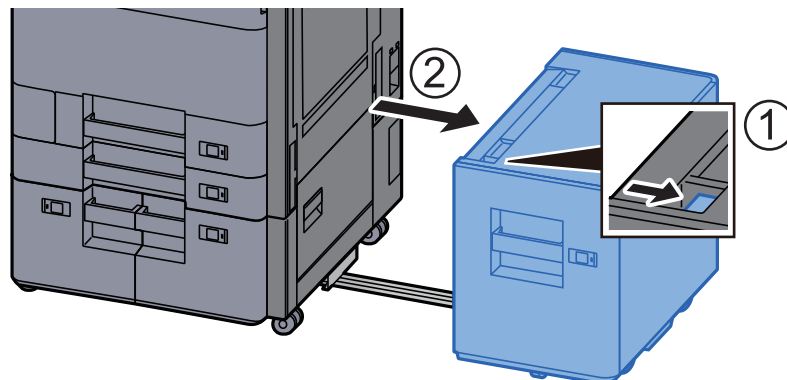


Remove any jammed paper in Cassette 3 (1,500-sheet×2)

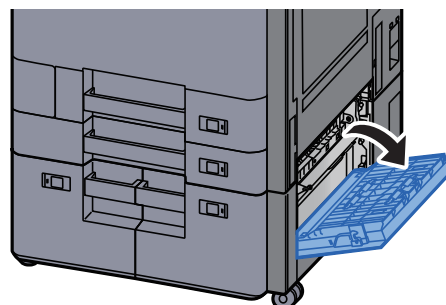
CAUTION

- Do not reuse jammed papers.
- If the paper tears during removal, be sure to remove any loose scraps of paper from inside the machine. Scraps of paper left in the machine could cause subsequent jamming.

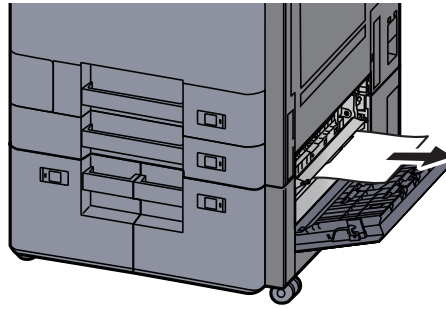
- 1 If the optional side feeder is installed, detach the side feeder.**



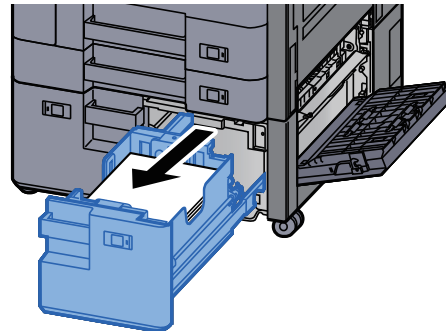
- 2 Open Right Cover 2.**



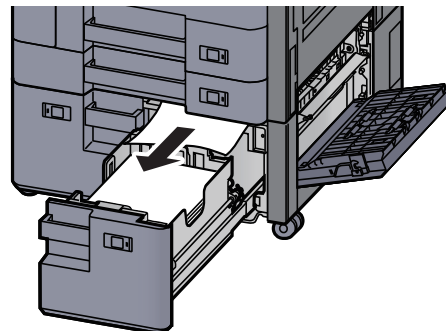
3 Remove any jammed paper.



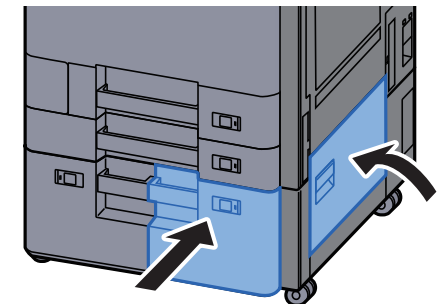
4 Pull Cassette 3 out toward you until it stops.



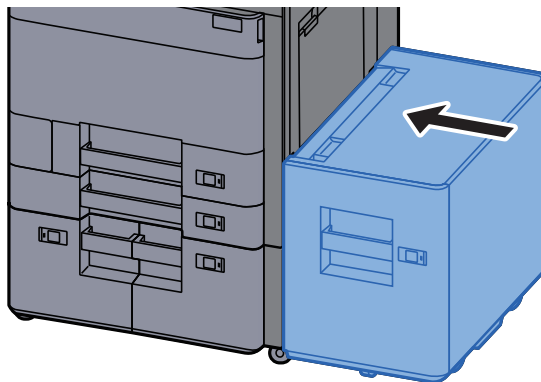
5 Remove any jammed paper.



6 Push Right Cover 2 and Cassette 3 back in.



- 7 If the optional side feeder is installed, return the side feeder to the original position.**

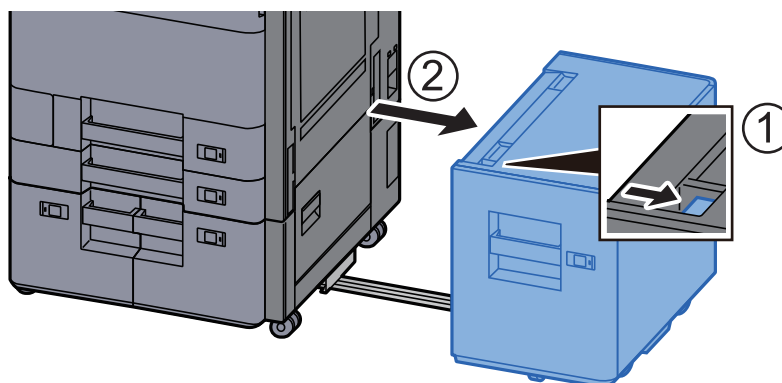


Remove any jammed paper in Cassette 4 (1,500-sheet×2)

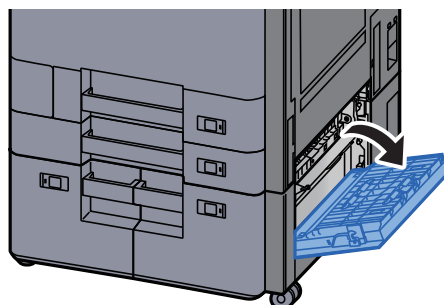
CAUTION

- Do not reuse jammed papers.
- If the paper tears during removal, be sure to remove any loose scraps of paper from inside the machine. Scraps of paper left in the machine could cause subsequent jamming.

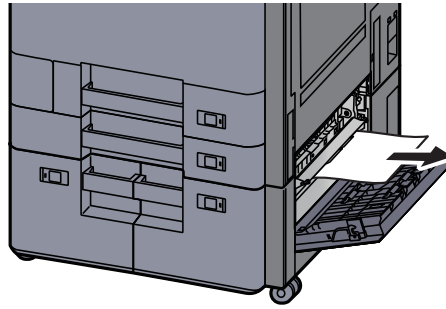
- 1 If the optional side feeder is installed, detach the side feeder.**



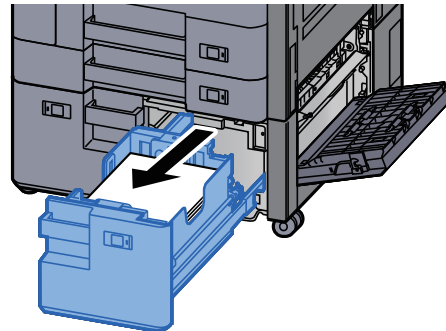
- 2 Open Right Cover 2.**



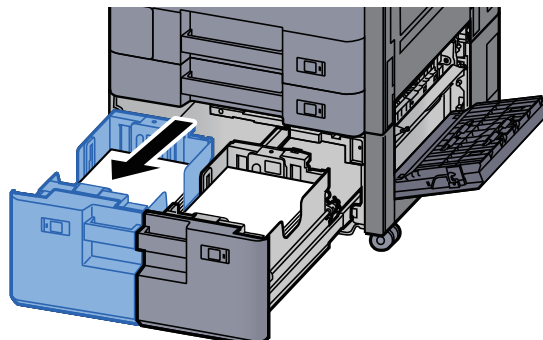
3 Remove any jammed paper.



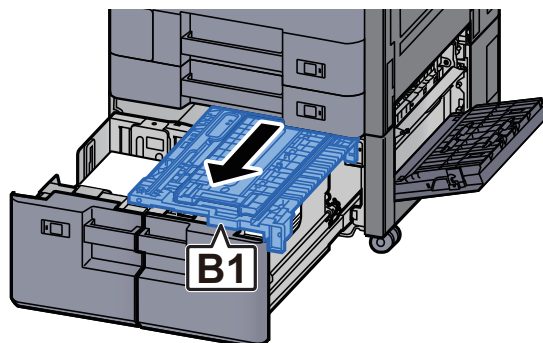
4 Pull Cassette 3 out toward you until it stops.



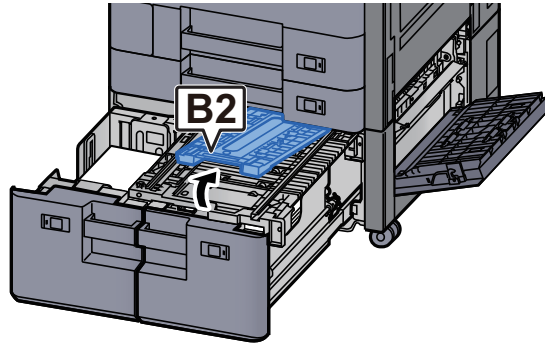
5 Pull Cassette 4 out toward you until it stops.



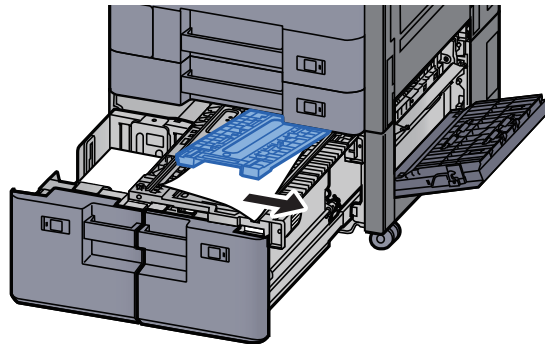
6 Pull out paper feed unit (B1).



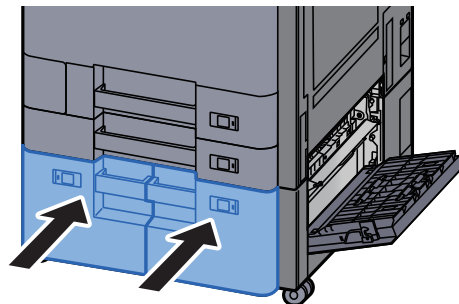
7 Open cover (B2).



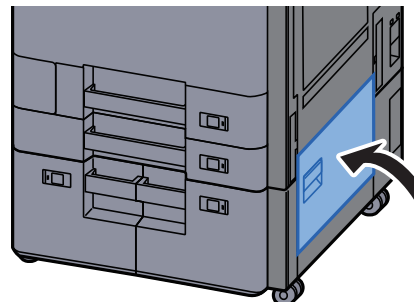
8 Remove any jammed paper.



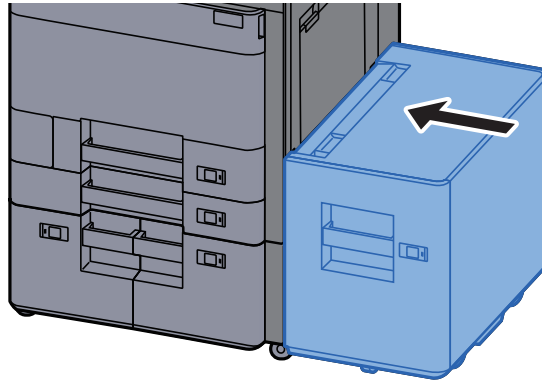
9 Push paper feed unit, Cassette 3 and Cassette 4 back in.



10 Return the cover to the original position.



- 11** If the optional side feeder is installed, return the side feeder to the original position.

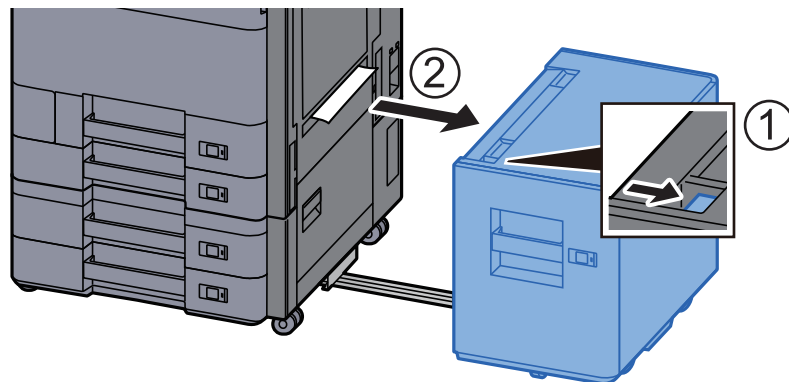


Remove any jammed paper in Cassette 5 (Side Feeder)

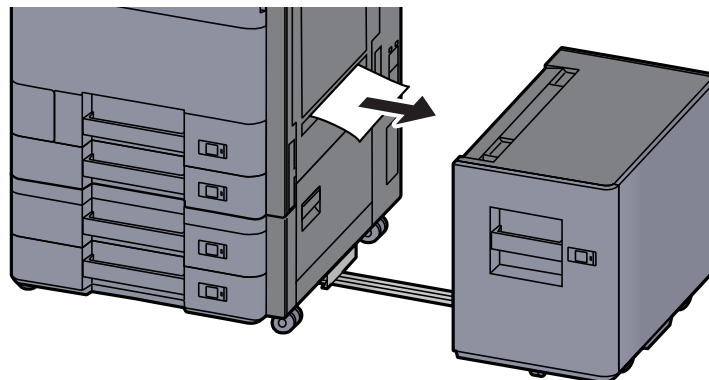
CAUTION

- Do not reuse jammed papers.
- If the paper tears during removal, be sure to remove any loose scraps of paper from inside the machine. Scraps of paper left in the machine could cause subsequent jamming.

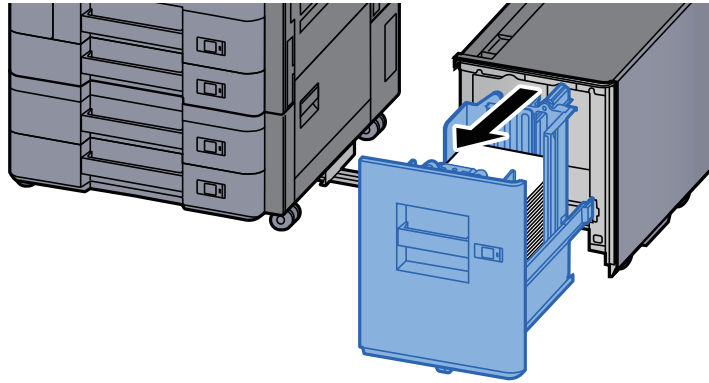
- 1** Detach the side feeder.



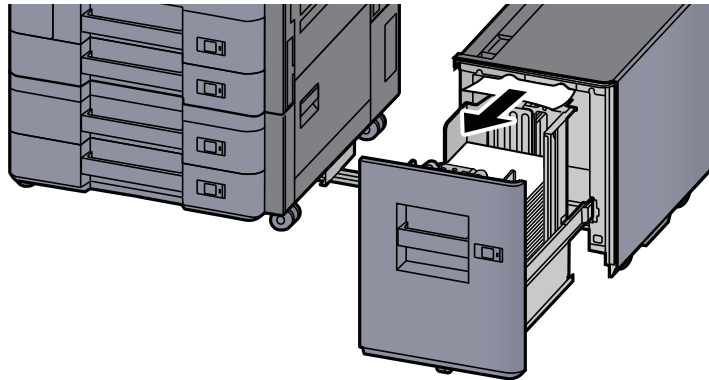
- 2** Remove any jammed paper.



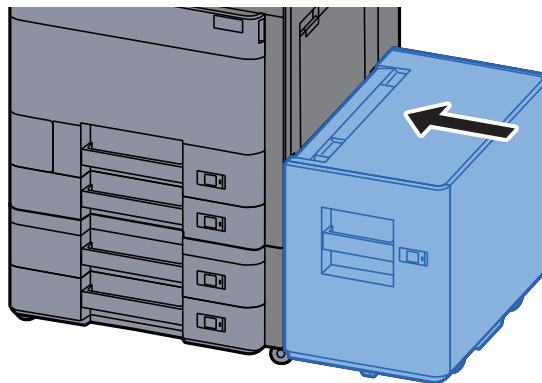
3 Pull Cassette 5 out toward you until it stops.



4 Remove any jammed paper.



5 Return the Cassette 5 and side feeder to the original position.



Remove any jammed paper in the Multipurpose Tray

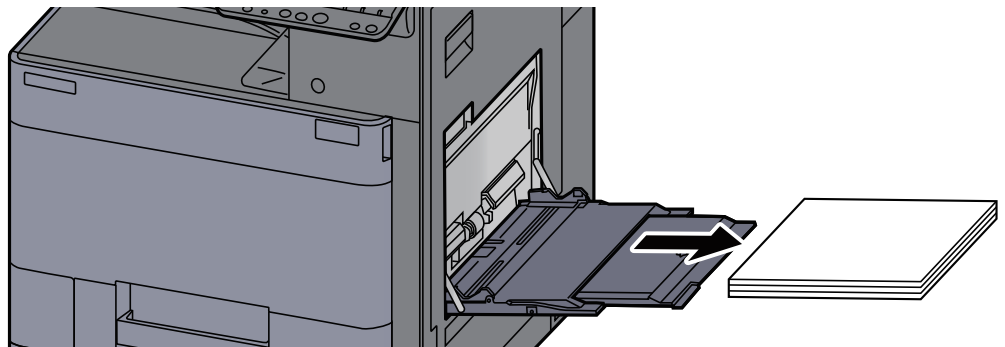
CAUTION

- Do not reuse jammed papers.
- If the paper tears during removal, be sure to remove any loose scraps of paper from inside the machine. Scraps of paper left in the machine could cause subsequent jamming.

1 Remove any jammed paper.



2 Remove all the paper.



3 Reload the paper.

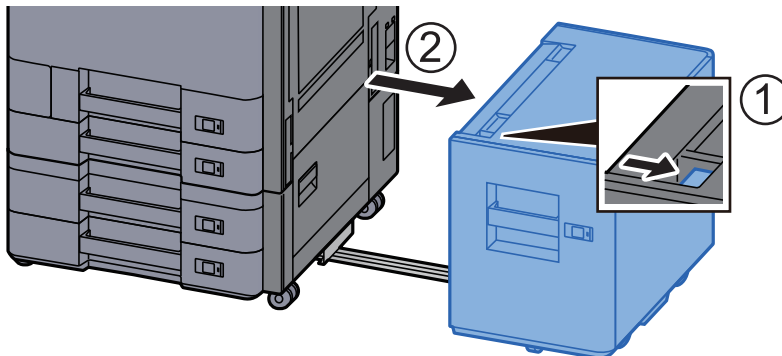


Remove any jammed paper in Right Cover 1

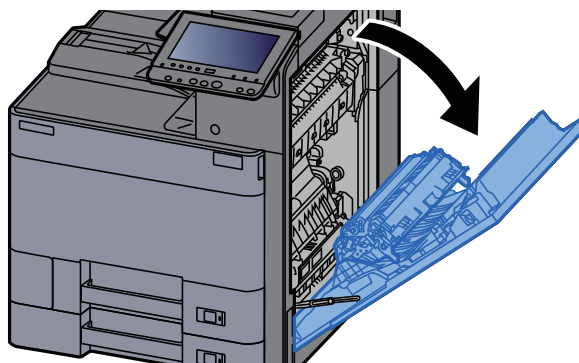
CAUTION

The fixing unit is extremely hot. Take sufficient care when working in this area, as there is a danger of getting burned.

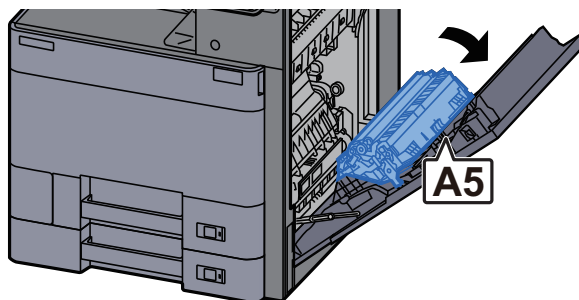
- 1 If the optional side feeder is installed, detach the side feeder.**



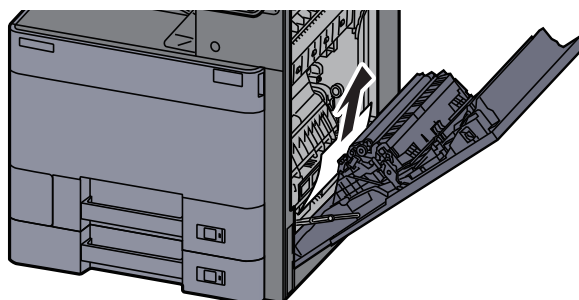
- 2 Open Right Cover 1.**



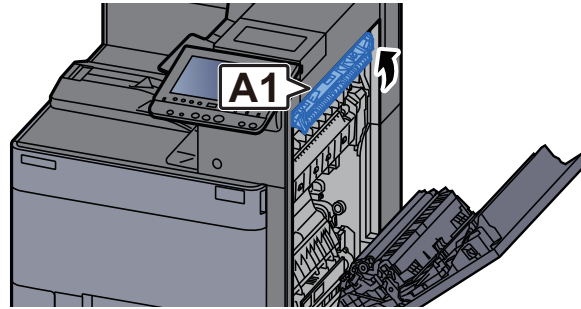
- 3 Close the duplex unit (A5).**



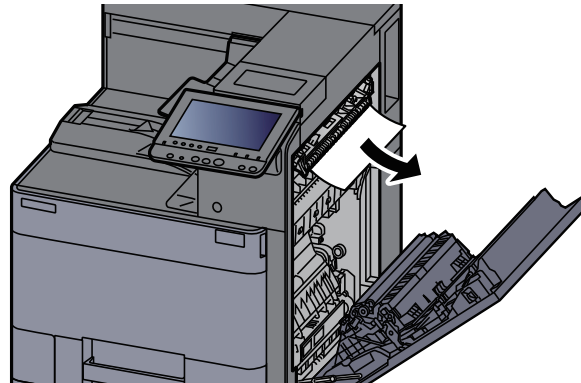
- 4 Remove any jammed paper.**



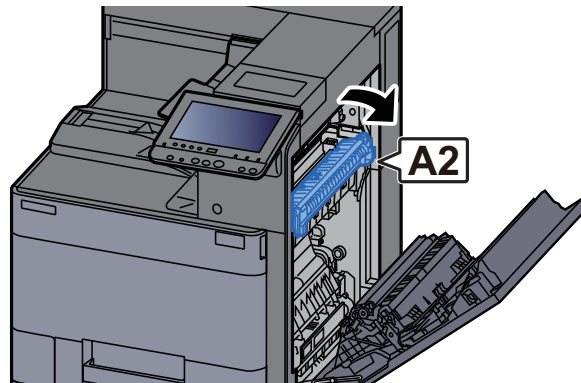
5 Open the paper feed unit cover (A1).



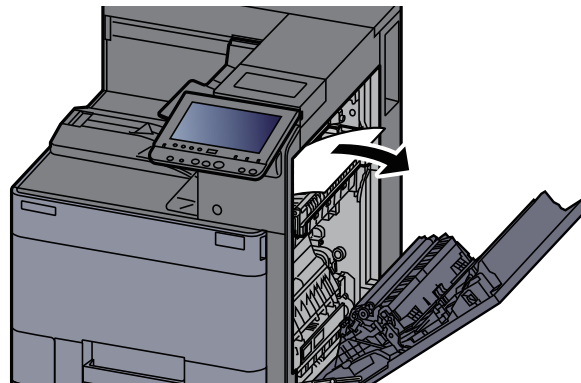
6 Remove any jammed paper.



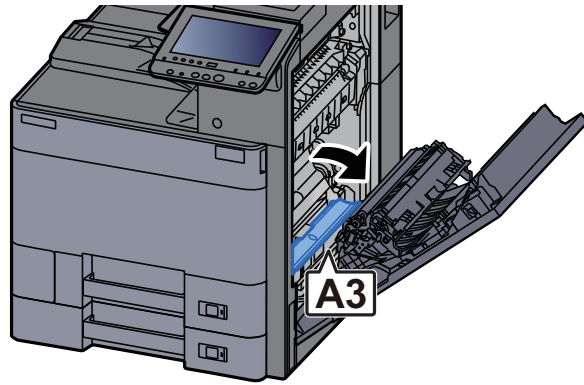
7 Open the fuser cover (A2).



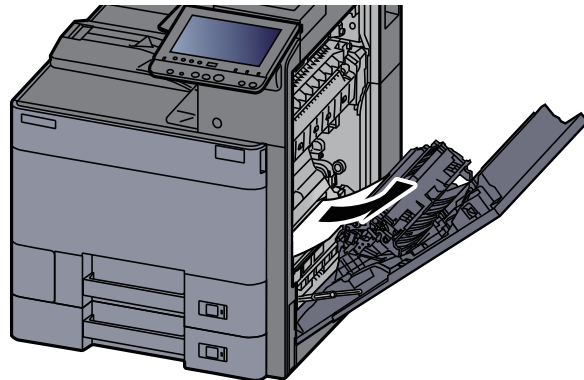
8 Remove any jammed paper.



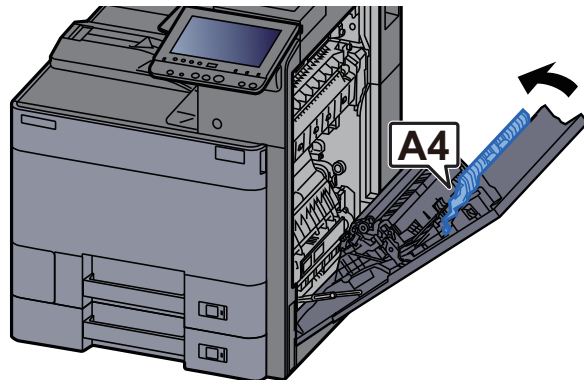
9 Open the cover (A3).



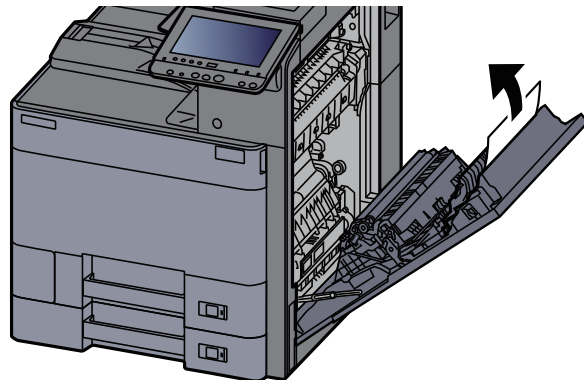
10 Remove any jammed paper.



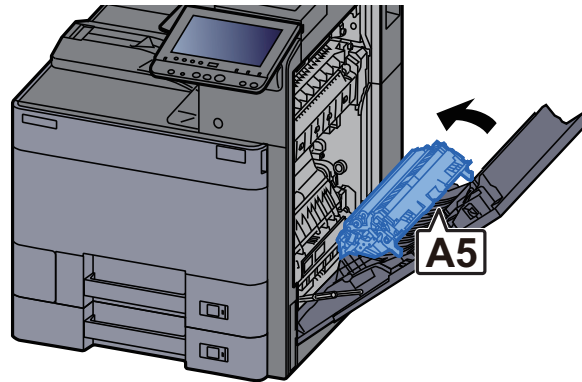
11 Lift the cover (A4).



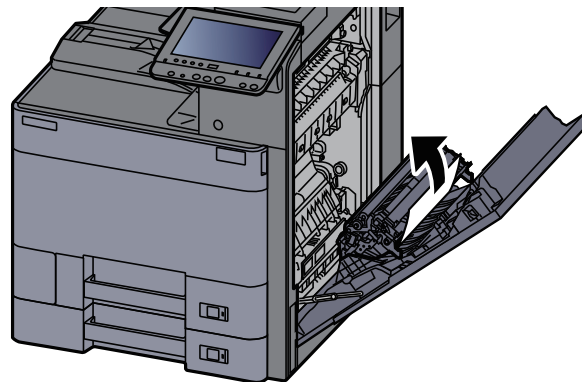
12 Remove any jammed paper.



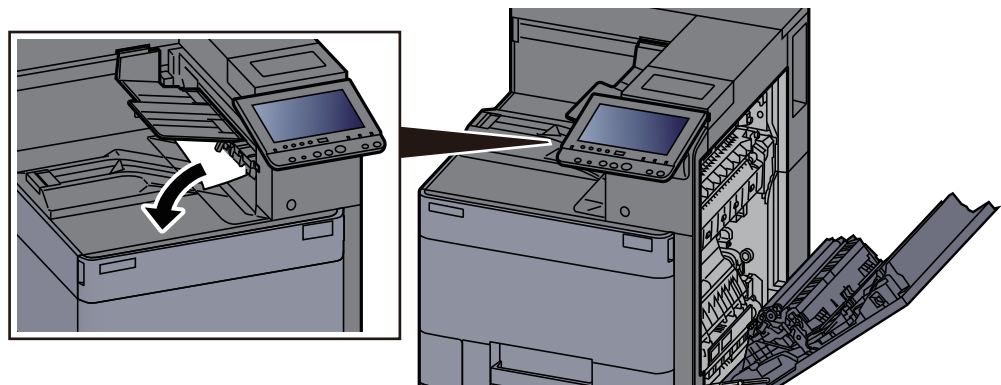
13 Lift the duplex unit (A5).



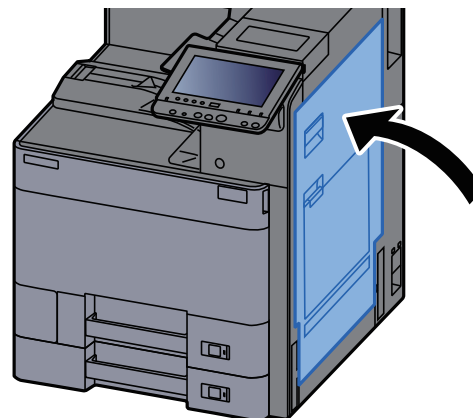
14 Remove any jammed paper.



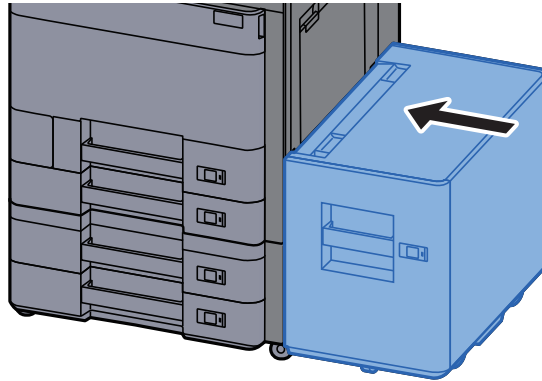
15 Remove the paper from the paper ejector.



16 Return the cover to the original position.



17 If the optional side feeder is installed, return the side feeder to the original position.

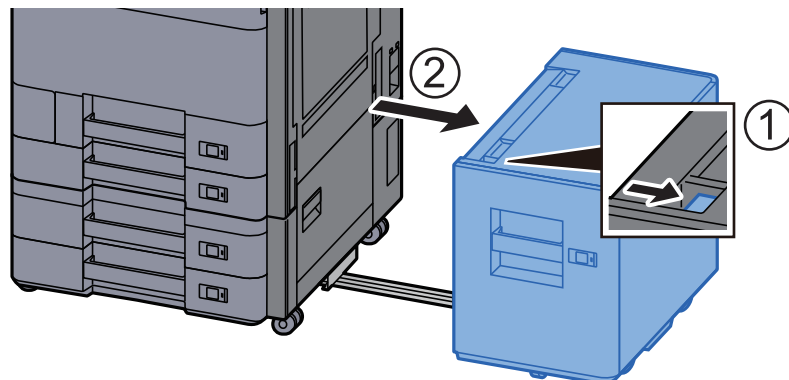


Remove any jammed paper in Right Cover 2 (500-sheet×2)

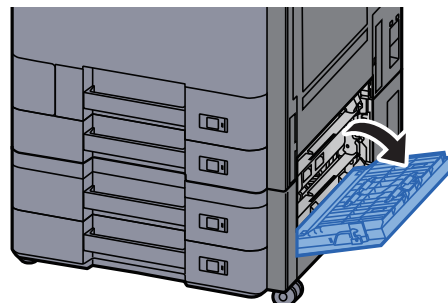
CAUTION

- Do not reuse jammed papers.
- If the paper tears during removal, be sure to remove any loose scraps of paper from inside the machine. Scraps of paper left in the machine could cause subsequent jamming.

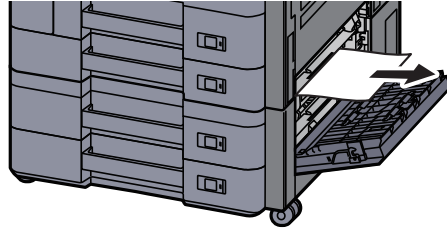
1 If the optional side feeder is installed, detach the side feeder.



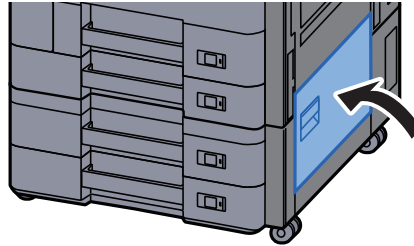
2 Open Right Cover 2.



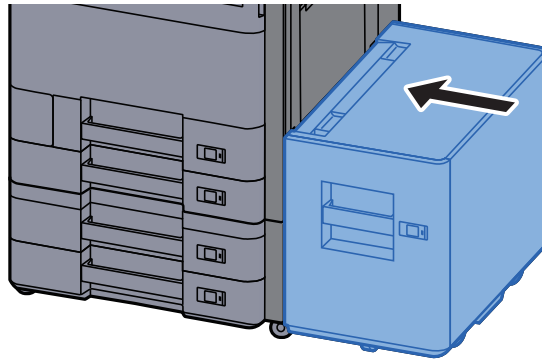
3 Remove any jammed paper.



4 Return the cover to the original position.



5 If the optional side feeder is installed, return the side feeder to the original position.

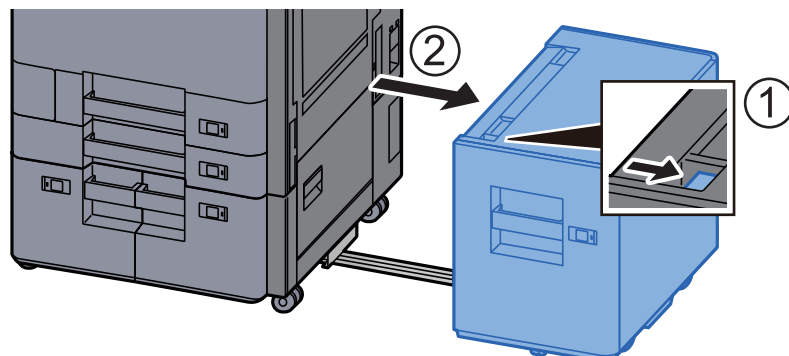


Remove any jammed paper in Right Cover 2 (1,500-sheet×2)

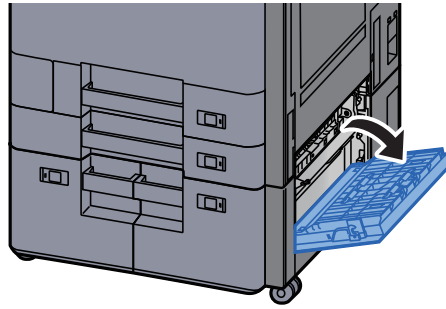
! CAUTION

- Do not reuse jammed papers.
- If the paper tears during removal, be sure to remove any loose scraps of paper from inside the machine. Scraps of paper left in the machine could cause subsequent jamming.

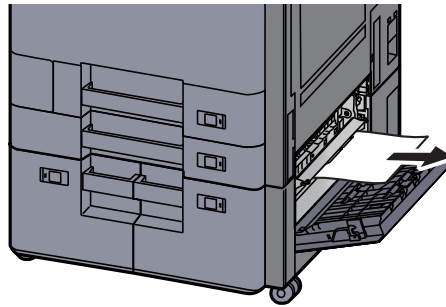
1 If the optional side feeder is installed, detach the side feeder.



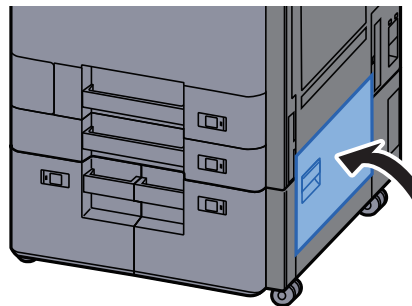
2 Open Right Cover 2.



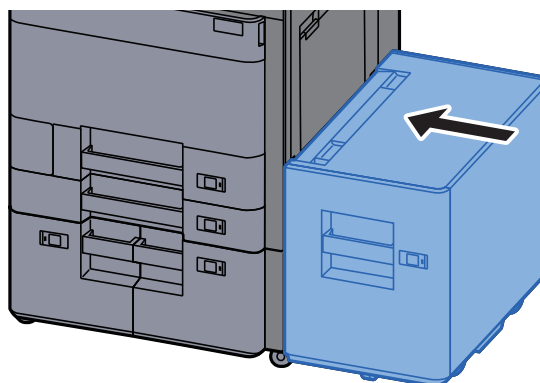
3 Remove any jammed paper.



4 Return the cover to the original position.



5 If the optional side feeder is installed, return the side feeder to the original position.

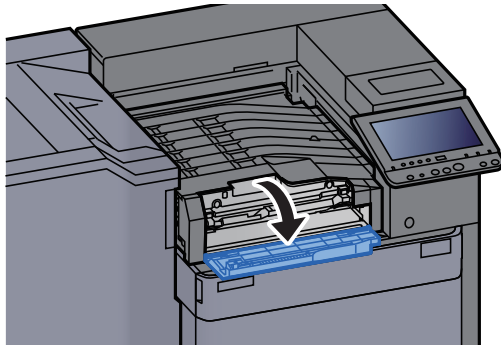


Remove any jammed paper in the Bridge Unit

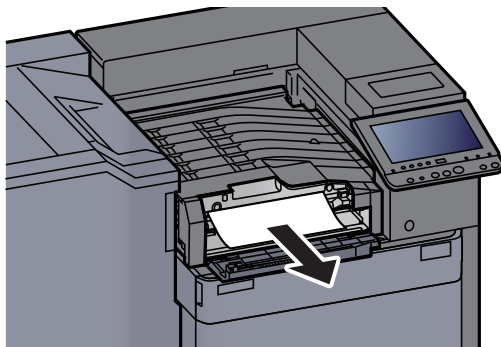
CAUTION

- Do not reuse jammed papers.
- If the paper tears during removal, be sure to remove any loose scraps of paper from inside the machine. Scraps of paper left in the machine could cause subsequent jamming.

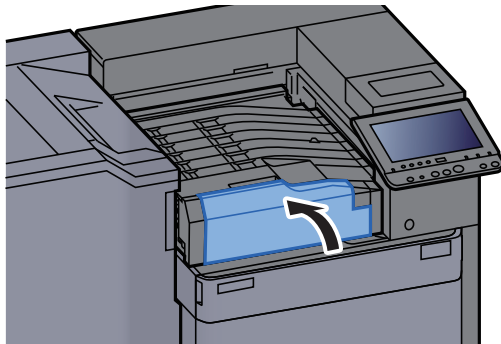
1 Open the bridge unit cover.



2 Remove any jammed paper.



3 Close the cover.

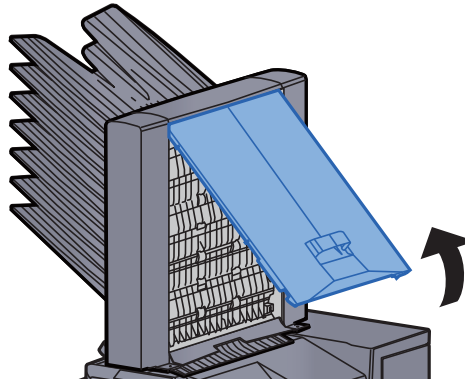


Remove any jammed paper in the Mailbox

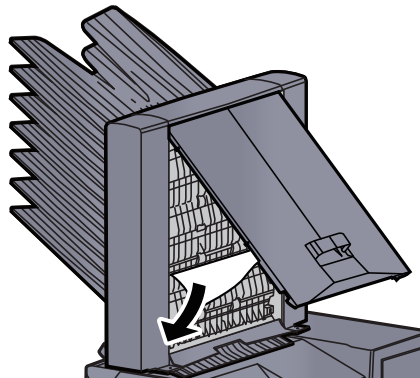
CAUTION

- Do not reuse jammed papers.
- If the paper tears during removal, be sure to remove any loose scraps of paper from inside the machine. Scraps of paper left in the machine could cause subsequent jamming.

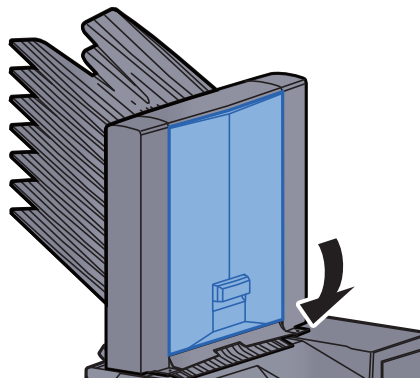
1 Open the mailbox cover.



2 Remove any jammed paper.



3 Close the cover.

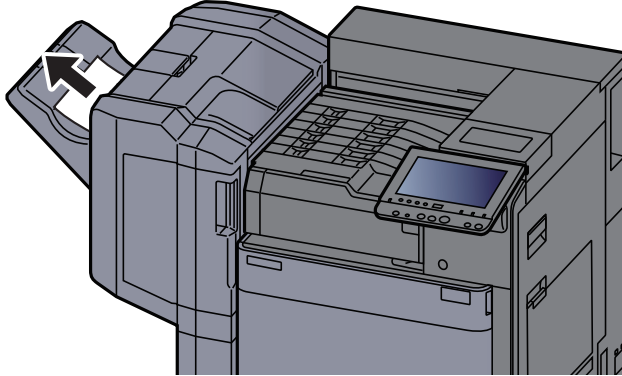


Remove any jammed paper in the 1,000-Sheet Finisher

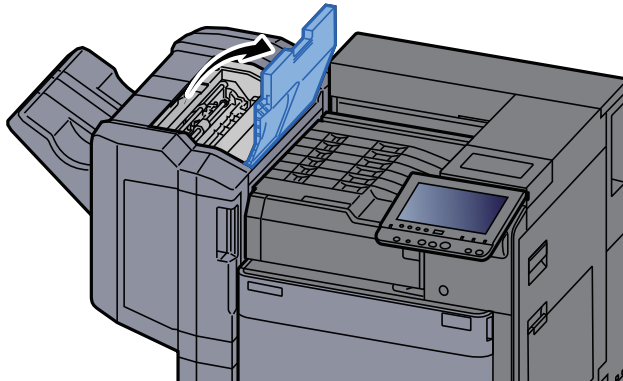
CAUTION

- Do not reuse jammed papers.
- If the paper tears during removal, be sure to remove any loose scraps of paper from inside the machine. Scraps of paper left in the machine could cause subsequent jamming.

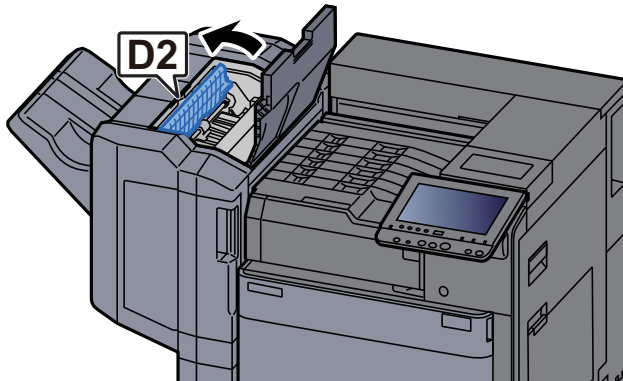
1 Remove any jammed paper.



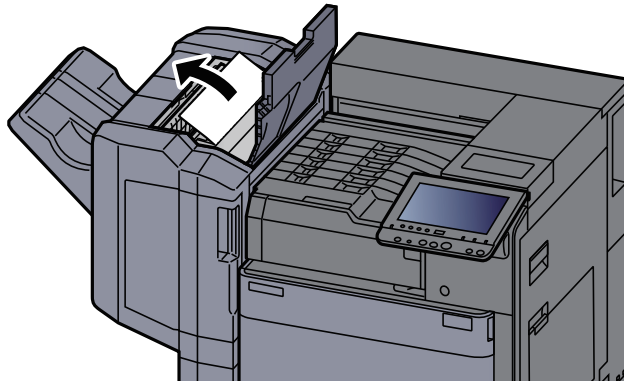
2 Open the finisher top cover.



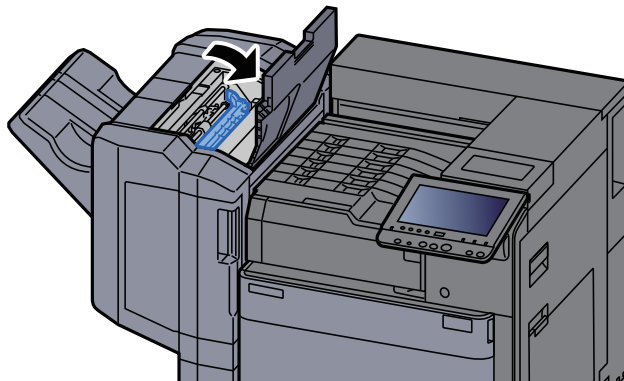
3 Open the conveyor guide (D2).



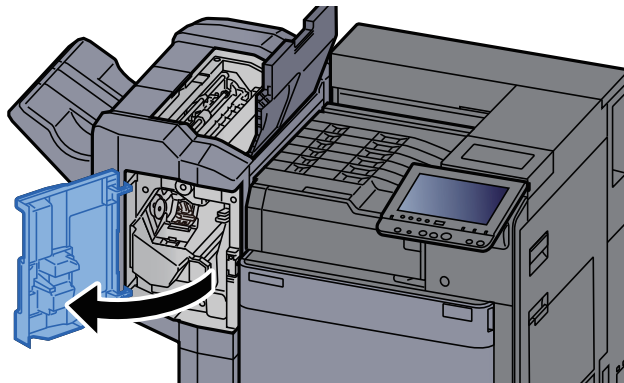
4 Remove any jammed paper.



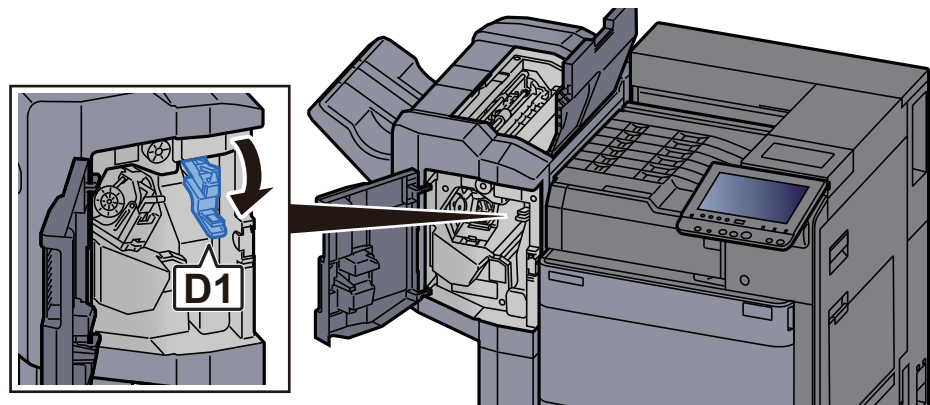
5 Return the conveyor guide (D2) to the original position.



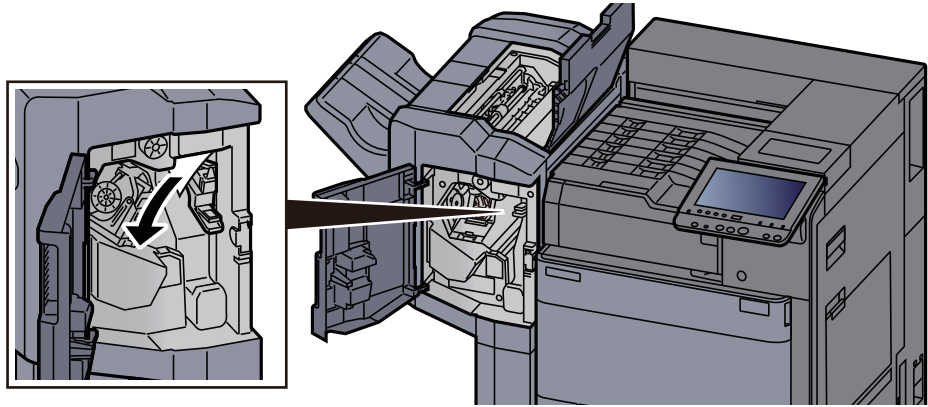
6 Open the finisher front cover.



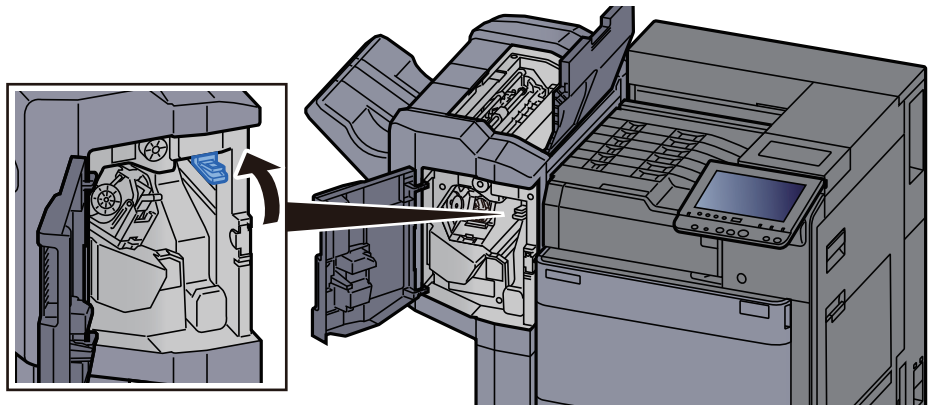
7 Open the conveyor guide (D1).



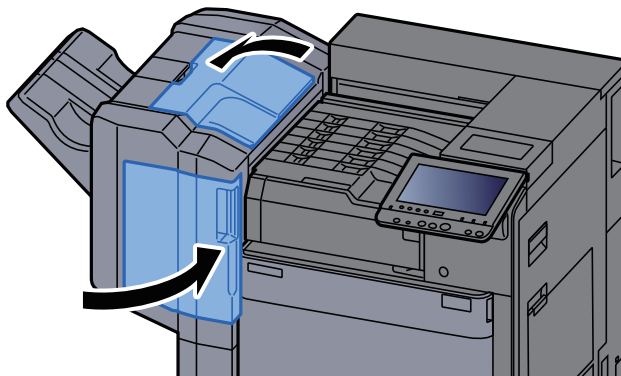
8 Remove any jammed paper.



9 Return the conveyor guide (D1) to the original position.



10 Return the covers to the original position.



Remove any jammed paper in the 4,000-sheet Finisher (Inner)

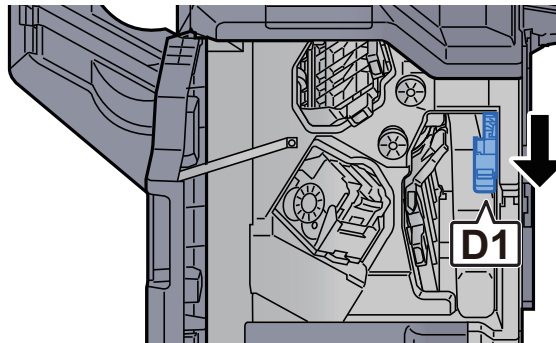
CAUTION

- Do not reuse jammed papers.
- If the paper tears during removal, be sure to remove any loose scraps of paper from inside the machine. Scraps of paper left in the machine could cause subsequent jamming.

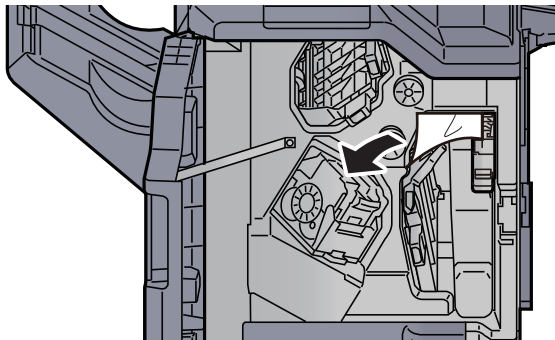
1 Open the finisher front cover 1.



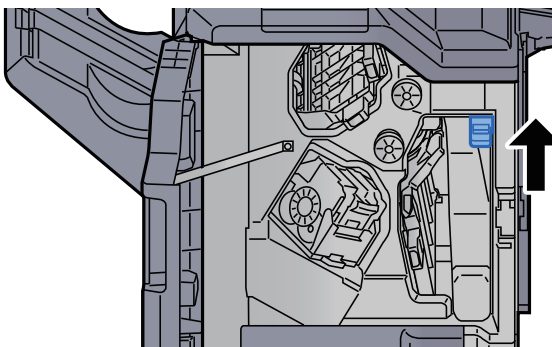
2 Open the conveyor guide (D1).



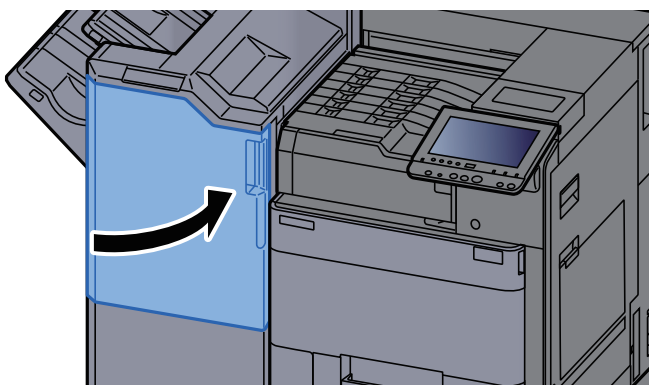
3 Remove any jammed paper.



4 Return the conveyor guide (D1) to the original position.



5 Return the cover to the original position.

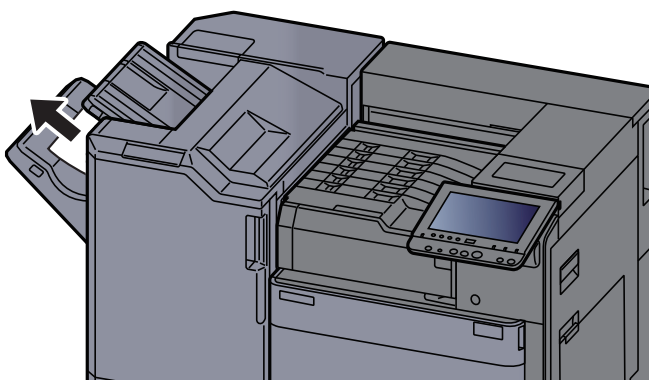


Remove any jammed paper in the 4,000-sheet Finisher (Tray A)

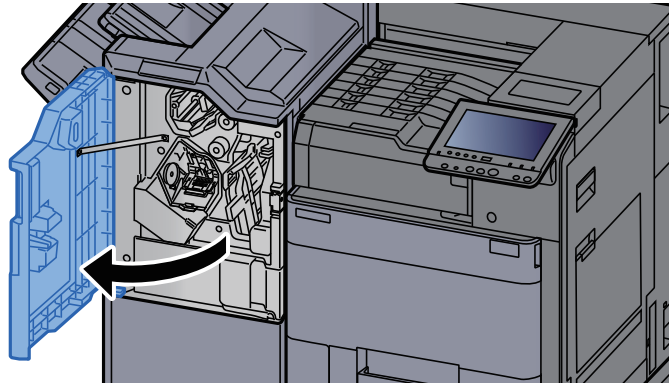
! CAUTION

- Do not reuse jammed papers.
- If the paper tears during removal, be sure to remove any loose scraps of paper from inside the machine. Scraps of paper left in the machine could cause subsequent jamming.

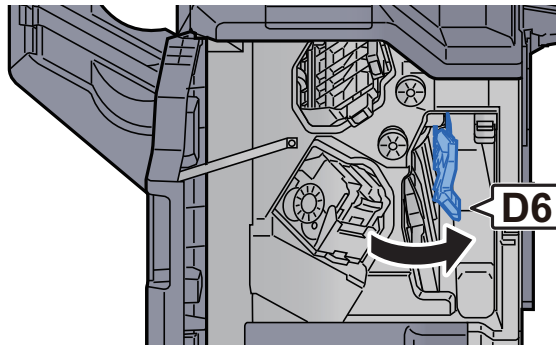
1 Remove any jammed paper.



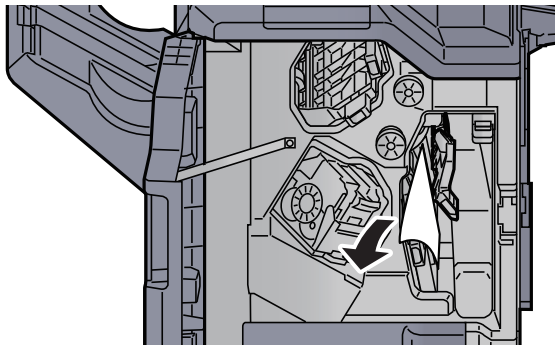
2 Open the finisher front cover 1.



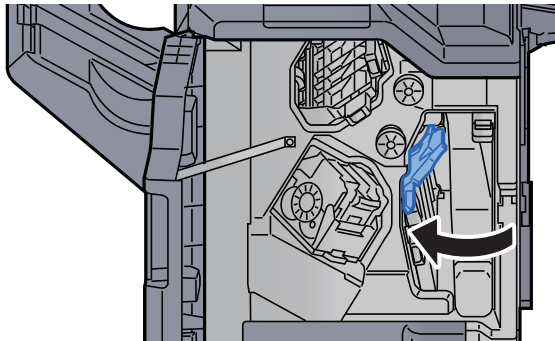
3 Open the conveyor guide (D6).



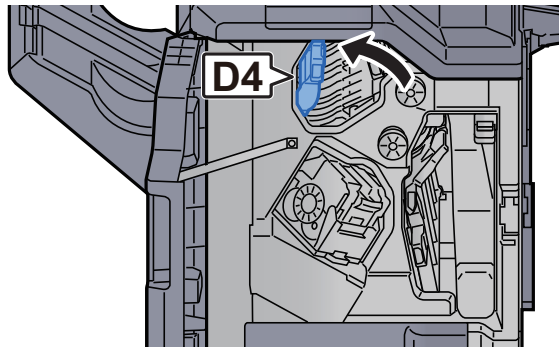
4 Remove any jammed paper.



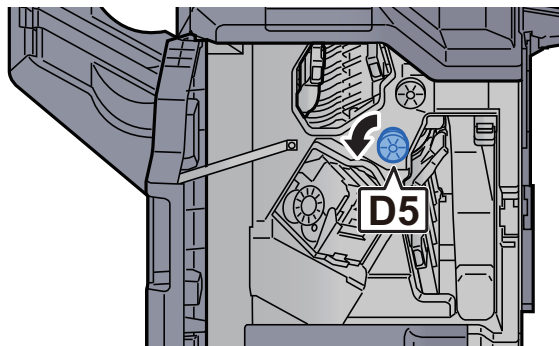
5 Return the conveyor guide (D6) to the original position.



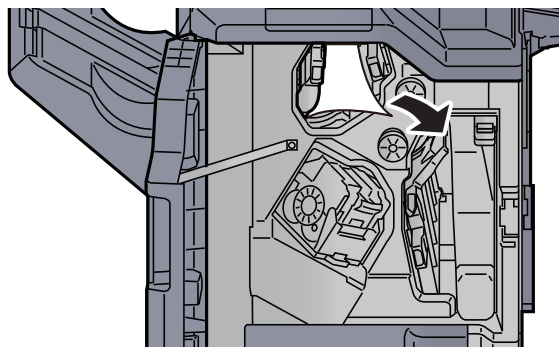
6 Open the conveyor guide (D4).



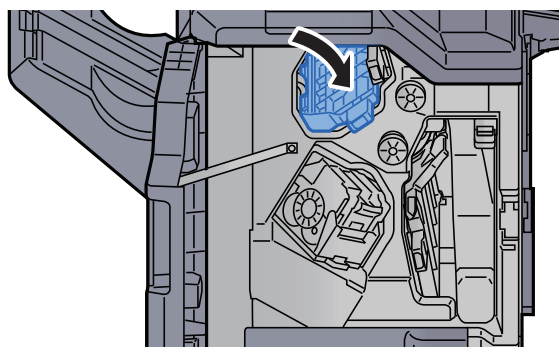
7 Turn knob (D5).



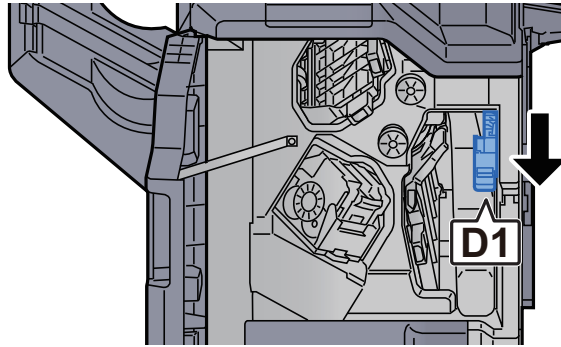
8 Remove any jammed paper.



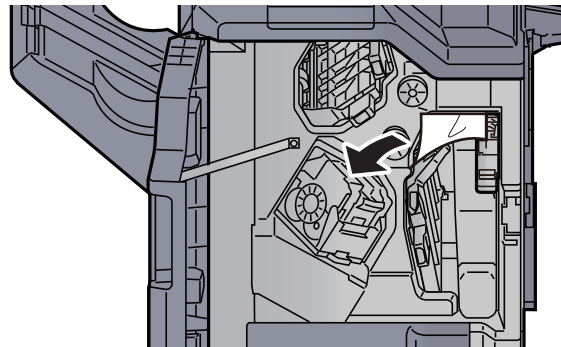
9 Return the conveyor guide (D4) to the original position.



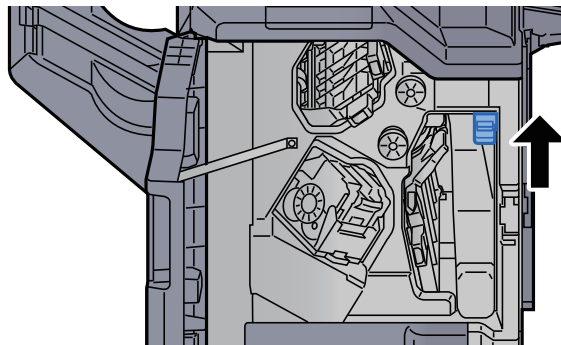
10 Open the conveyor guide (D1).



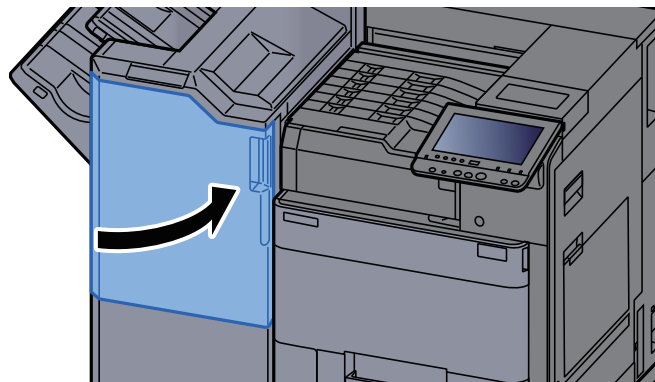
11 Remove any jammed paper.



12 Return the conveyor guide (D1) to the original position.



13 Return the cover to the original position.

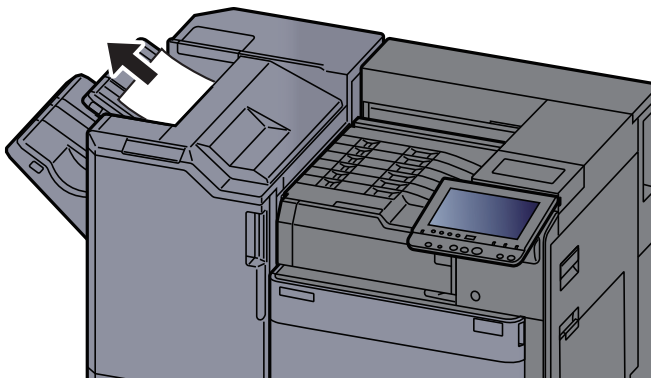


Remove any jammed paper in the 4,000-sheet Finisher (Tray B)

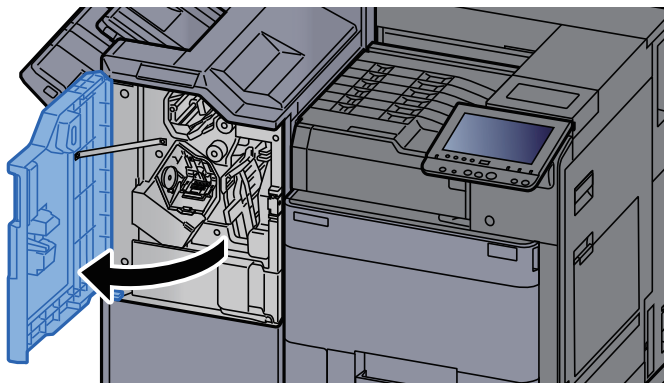
CAUTION

- Do not reuse jammed papers.
- If the paper tears during removal, be sure to remove any loose scraps of paper from inside the machine. Scraps of paper left in the machine could cause subsequent jamming.

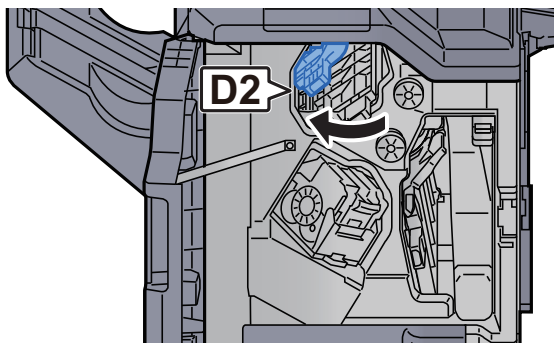
1 Remove any jammed paper.



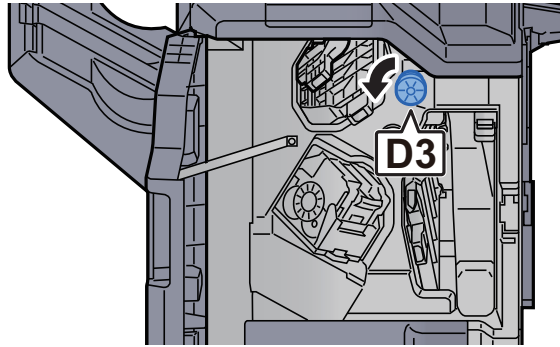
2 Open the finisher front cover 1.



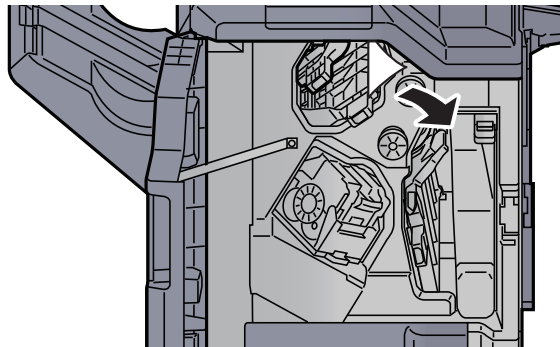
3 Open the conveyor guide (D2).



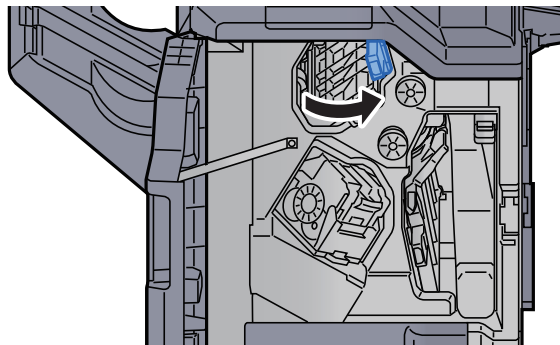
4 Turn knob (D3).



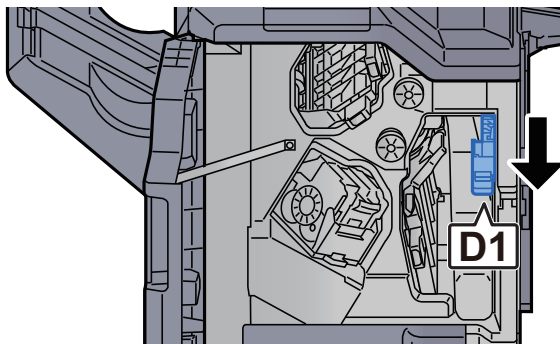
5 Remove any jammed paper.



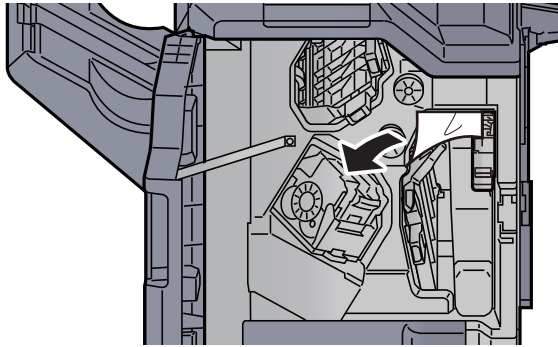
6 Return the conveyor guide (D2) to the original position.



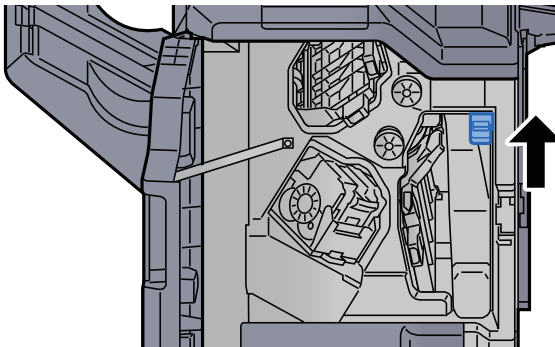
7 Open the conveyor guide (D1).



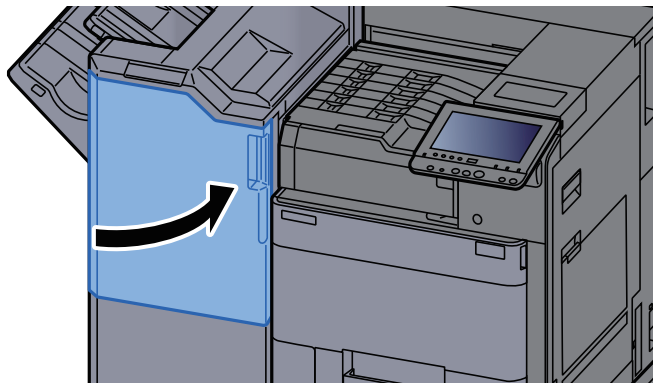
8 Remove any jammed paper.



9 Return the conveyor guide (D1) to the original position.



10 Return the cover to the original position.

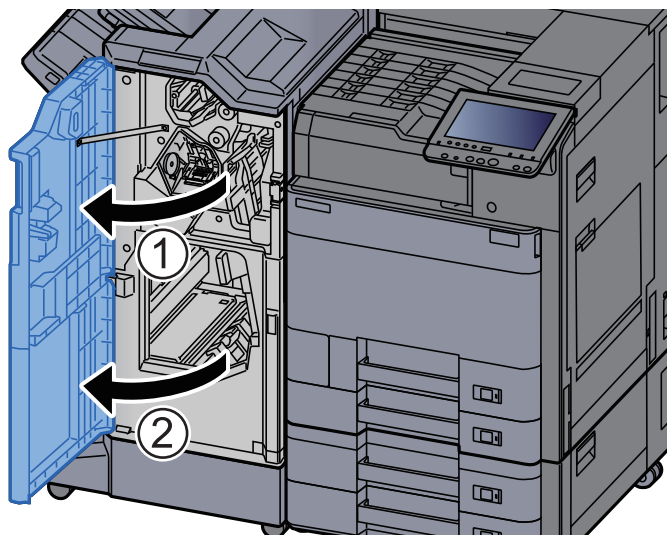


Remove any jammed paper in the Folding Unit

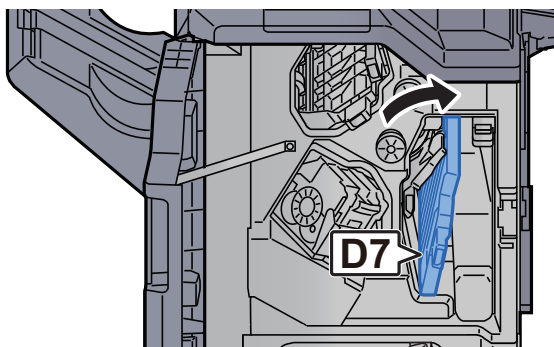
CAUTION

- Do not reuse jammed papers.
- If the paper tears during removal, be sure to remove any loose scraps of paper from inside the machine. Scraps of paper left in the machine could cause subsequent jamming.

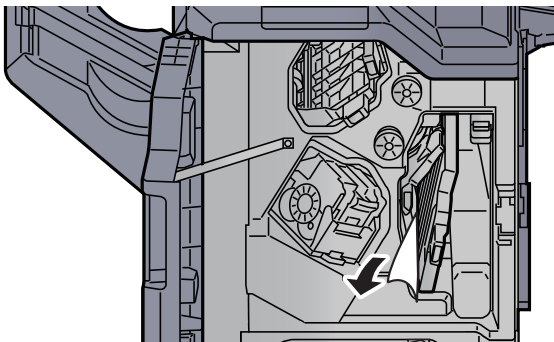
1 Open the finisher front cover 1 and 2.



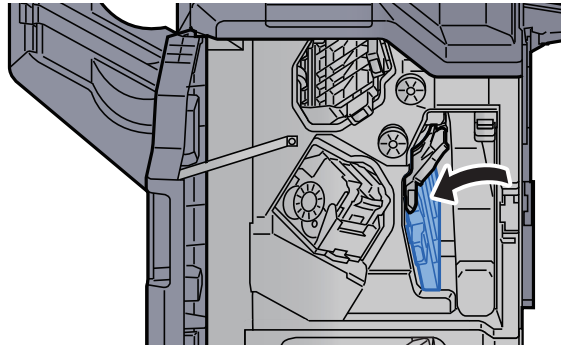
2 Open the conveyor guide (D7).



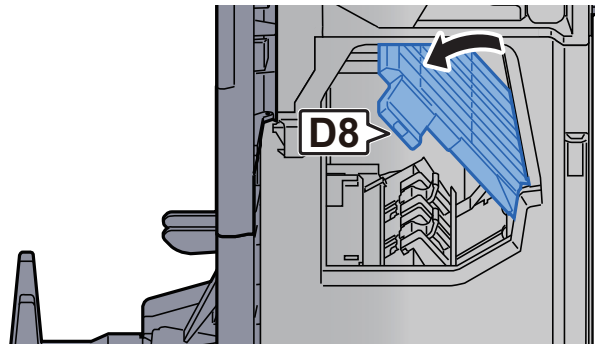
3 Remove any jammed paper.



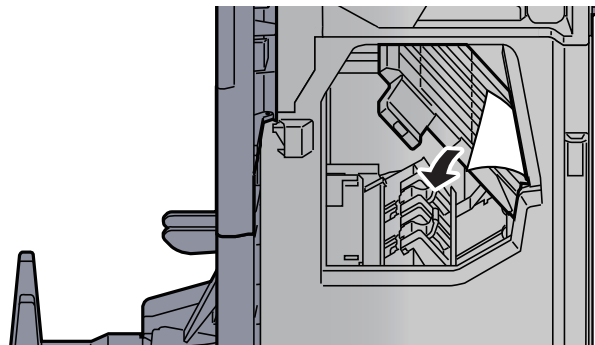
4 Return the conveyor guide (D7) to the original position.



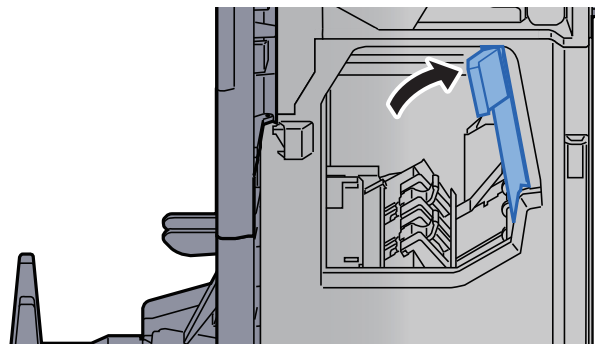
5 Open the conveyor guide (D8).



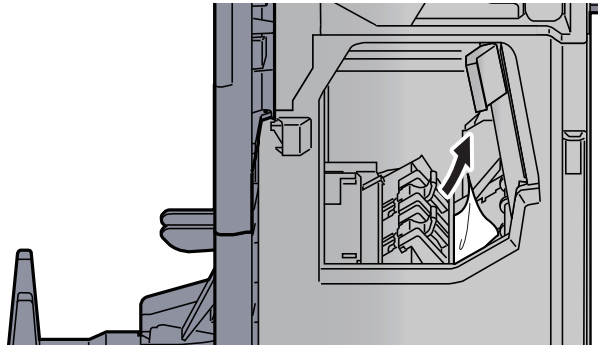
6 Remove any jammed paper.



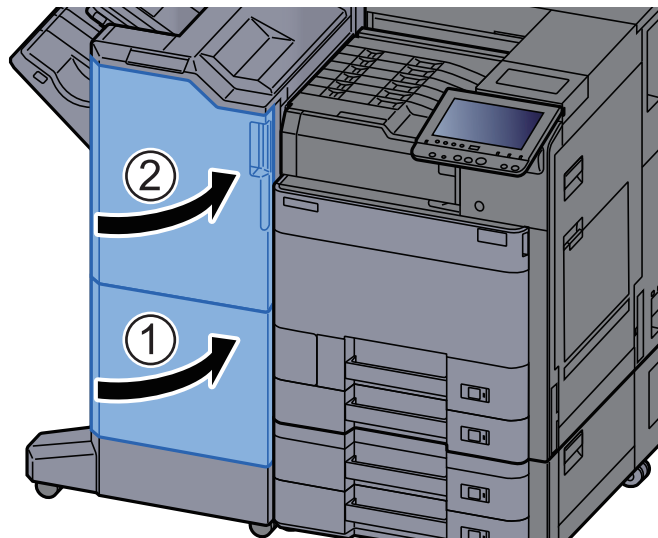
7 Return the conveyor guide (D8) to the original position.



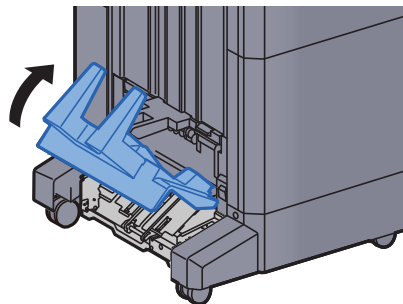
8 Remove paper from inside the finisher.



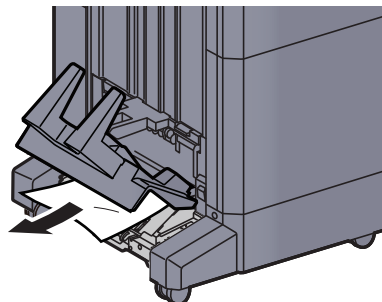
9 Return the covers to the original position.



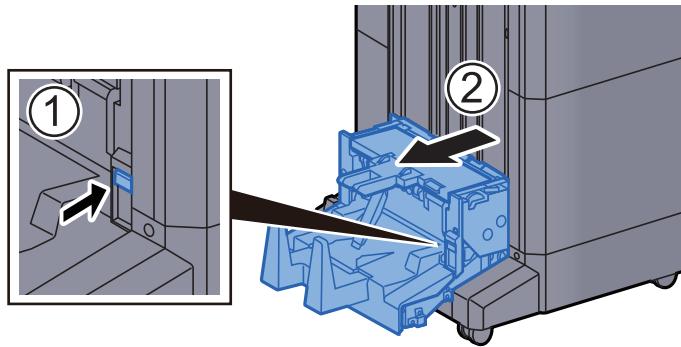
10 Lift the folding tray.



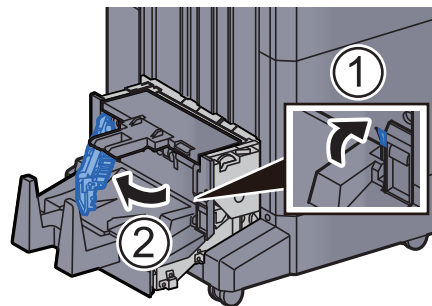
11 Remove any jammed paper.



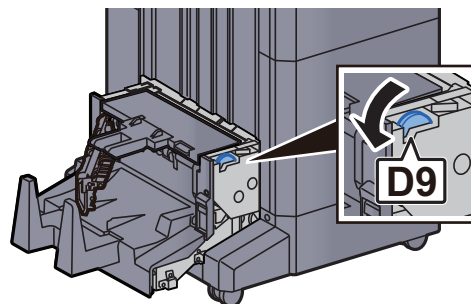
12 Press the release lever to pull the folding unit out.



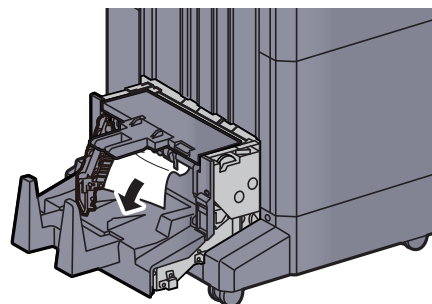
13 Open the folding unit left cover.



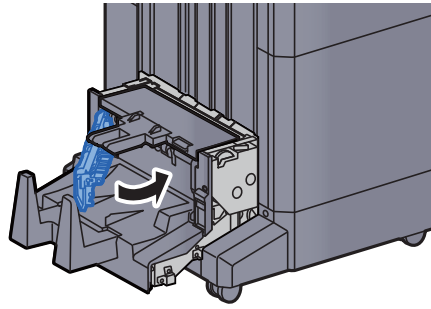
14 Turn dial (D9).



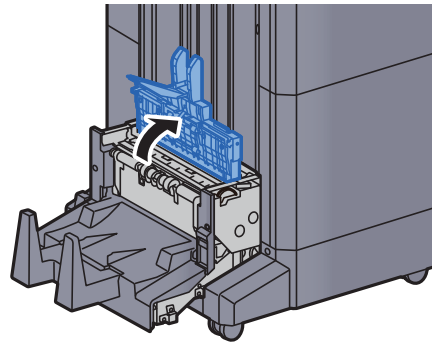
15 Remove any jammed paper.



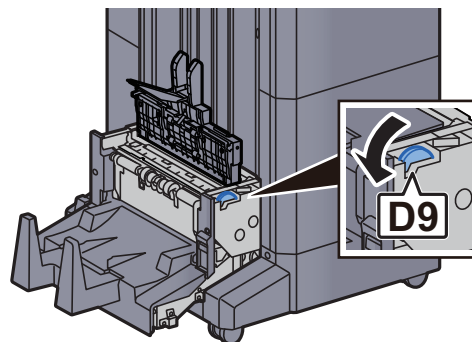
16 Return the folding unit left cover to the original position.



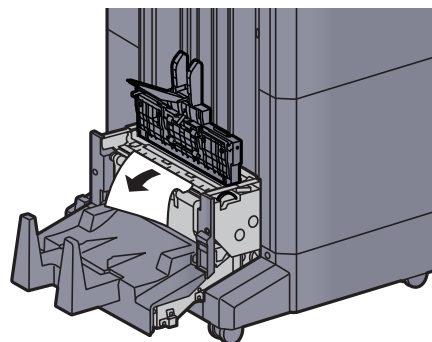
17 Open the folding unit top cover.



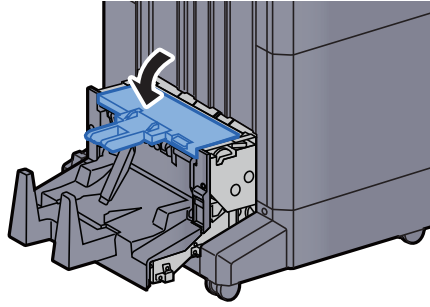
18 Turn dial (D9).



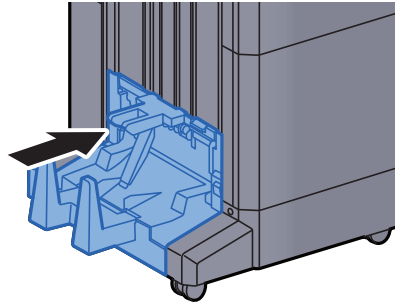
19 Remove any jammed paper.



20 Return the folding unit top cover to the original position.



21 Return the folding unit to the original position.



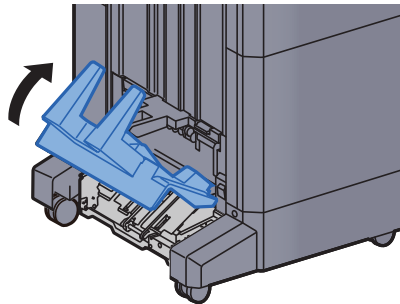
Remove any jammed paper in the Folding Tray



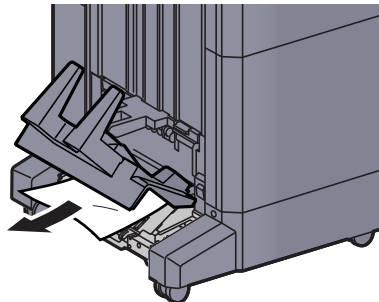
CAUTION

- Do not reuse jammed papers.
- If the paper tears during removal, be sure to remove any loose scraps of paper from inside the machine. Scraps of paper left in the machine could cause subsequent jamming.

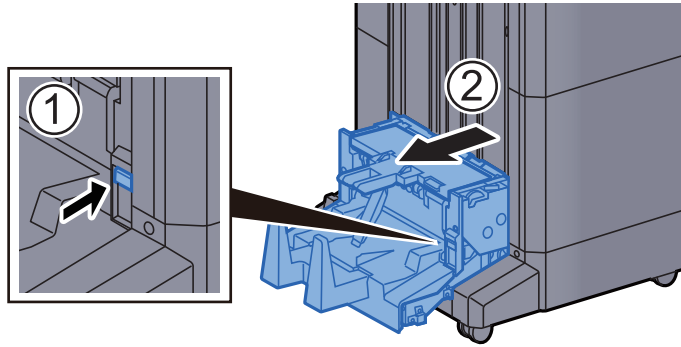
1 Lift the folding tray.



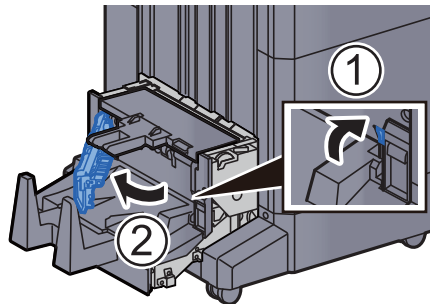
2 Remove any jammed paper.



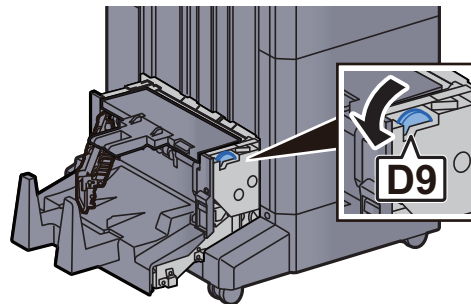
3 Press the release lever to pull the folding unit out.



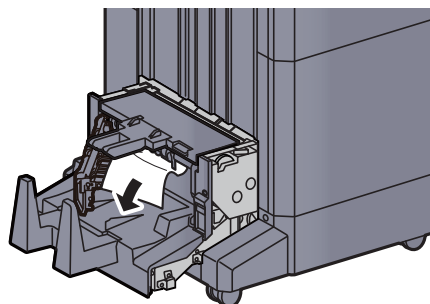
4 Open the folding unit left cover.



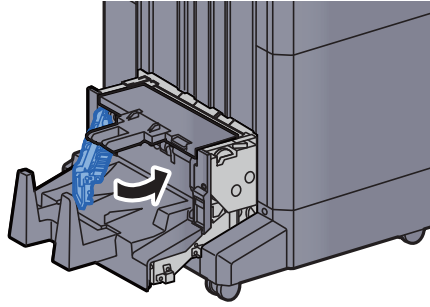
5 Turn dial (D9).



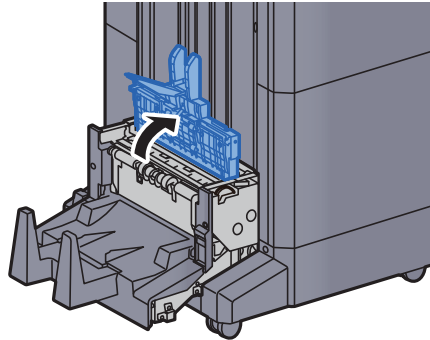
6 Remove any jammed paper.



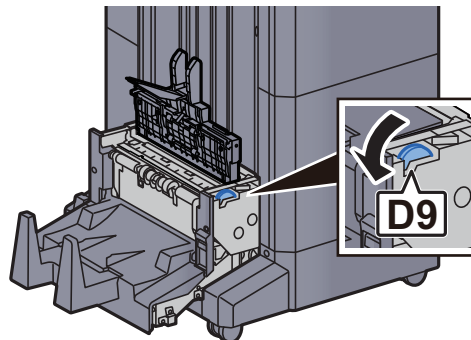
7 Return the folding unit left cover to the original position.



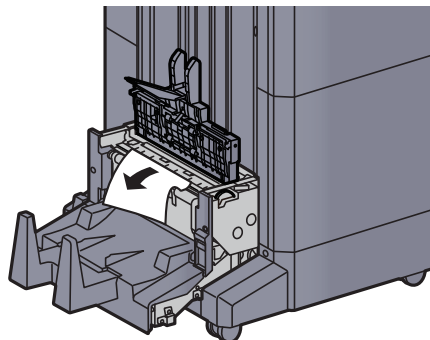
8 Open the folding unit top cover.



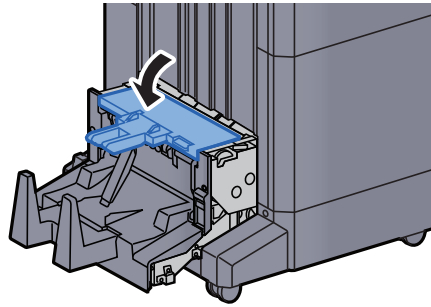
9 Turn dial (D9).



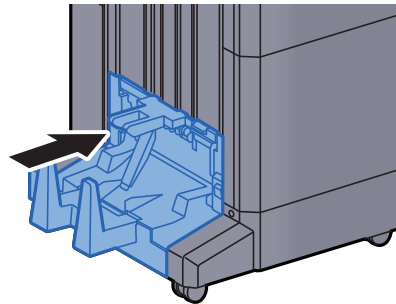
10 Remove any jammed paper.



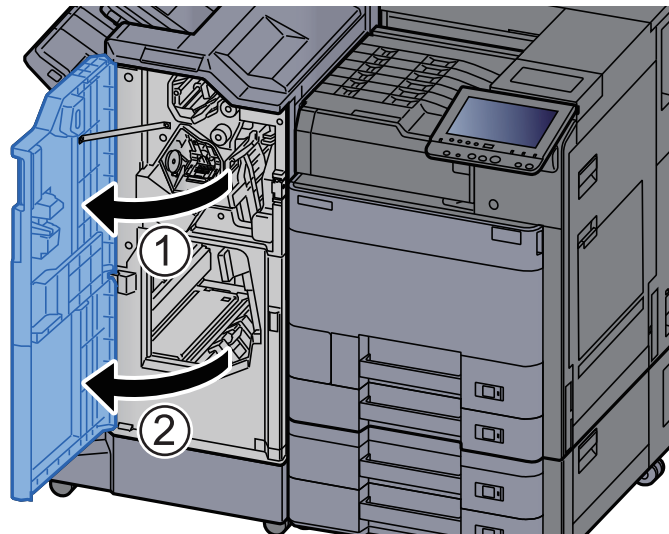
11 Return the folding unit top cover to the original position.



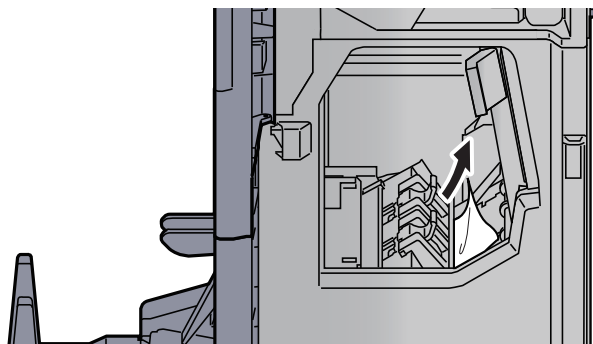
12 Return the folding unit to the original position.



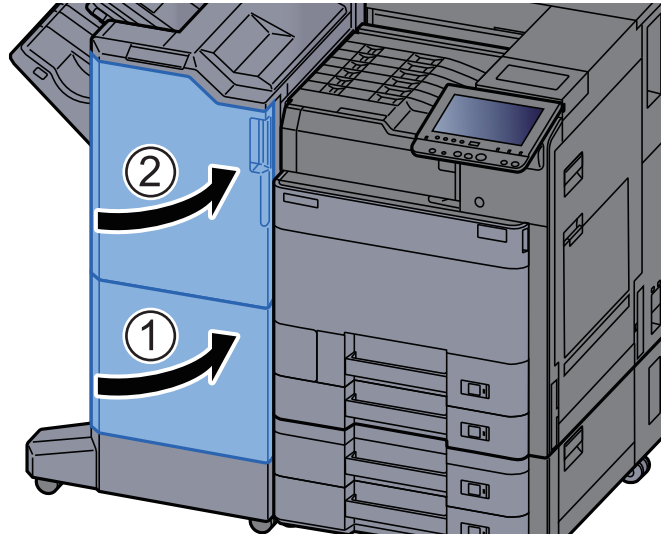
13 Open the finisher front cover 1 and 2.



14 Remove paper from inside the finisher.



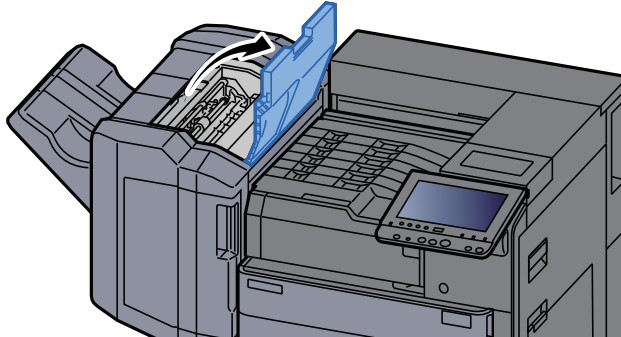
15 Return the covers to the original position.



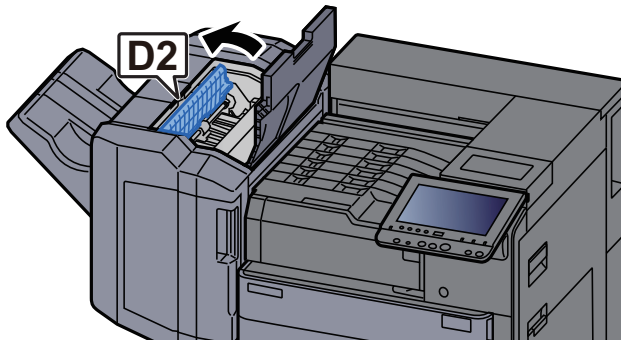
Clearing a Staple Jam

Clearing a Staple Jam of the 1,000-Sheet Finisher

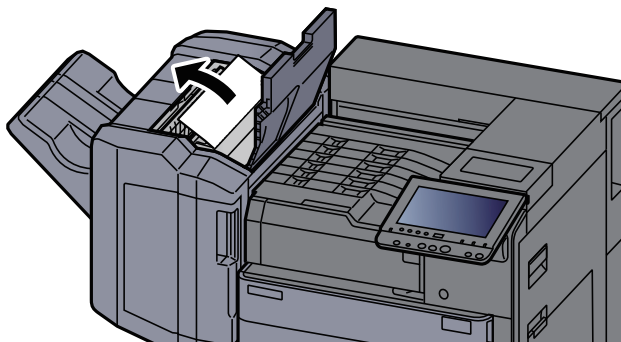
- 1 Open the finisher top cover.**



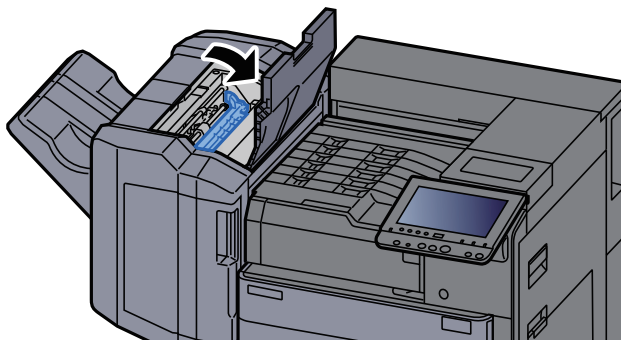
- 2 Open the conveyor guide (D2).**



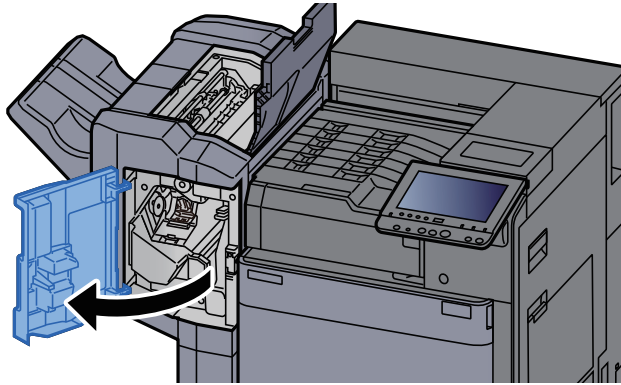
- 3 Remove any jammed paper.**



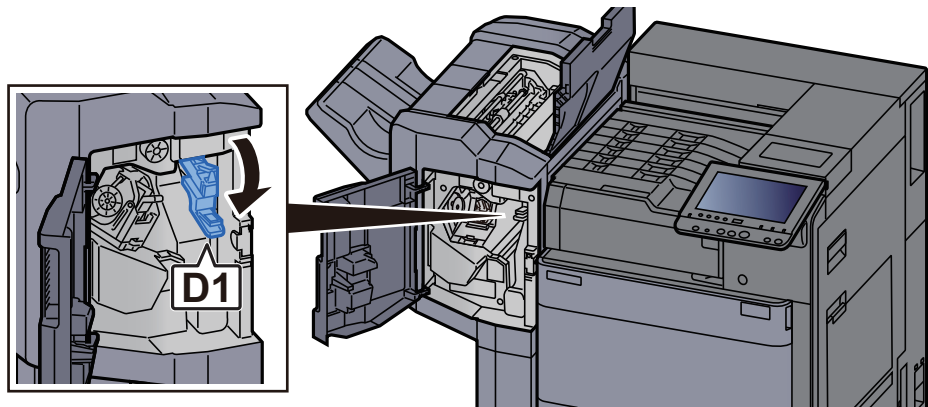
- 4 Return the conveyor guide (D2) to the original position.**



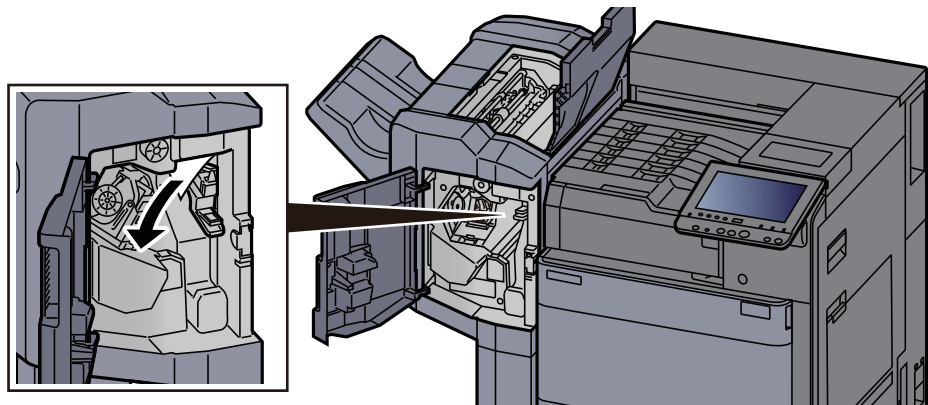
5 Open the finisher front cover.



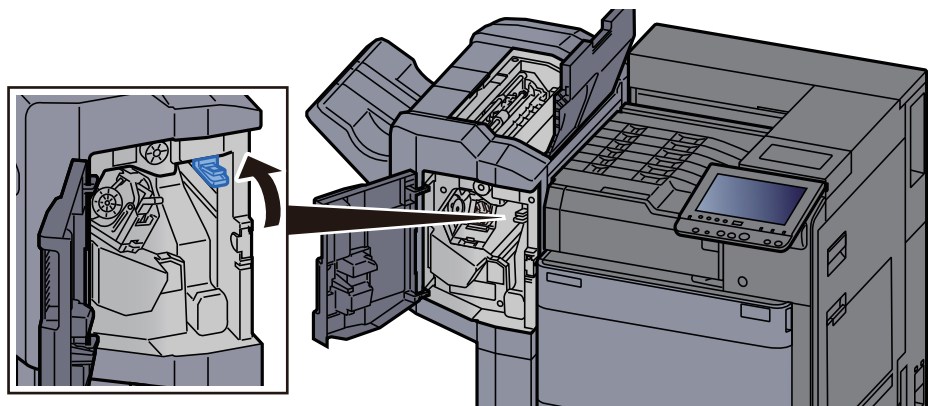
6 Open the conveyor guide (D1).



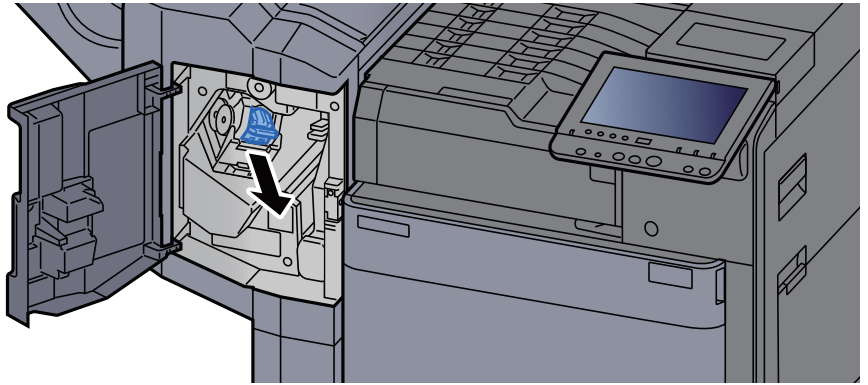
7 Remove any jammed paper.



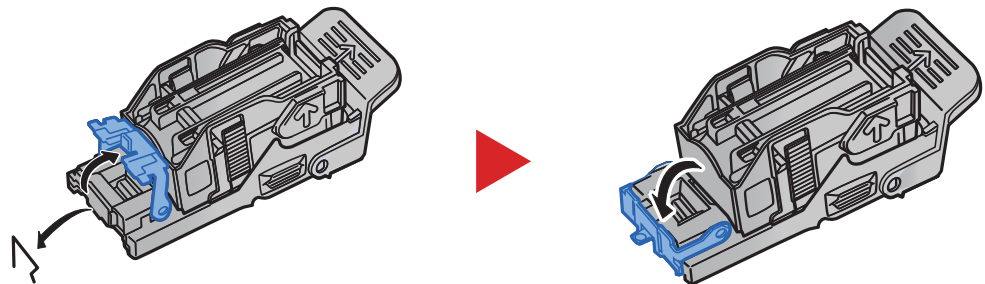
8 Return the conveyor guide (D1) to the original position.



9 Remove the Staple Cartridge Holder.



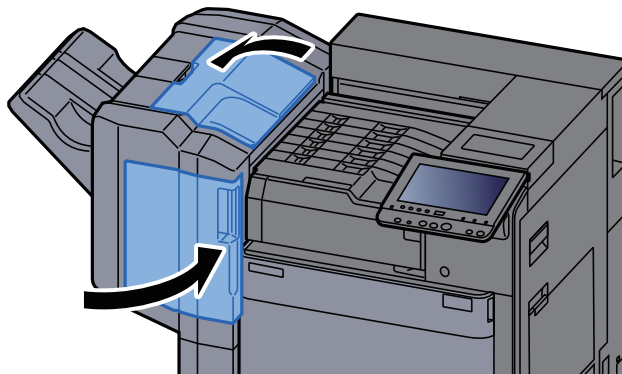
10 Remove the jammed staple.



11 Install the Staple Cartridge Holder.

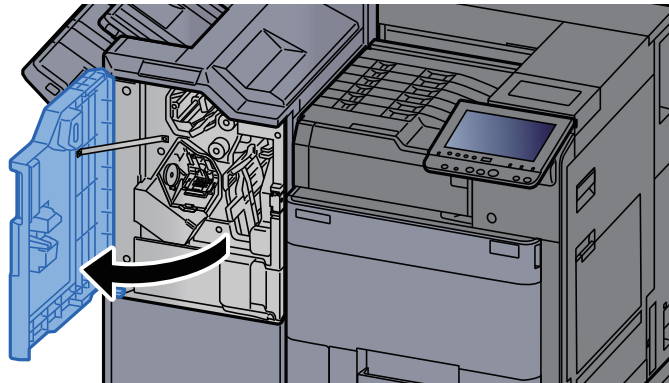


12 Return the covers to the original position.

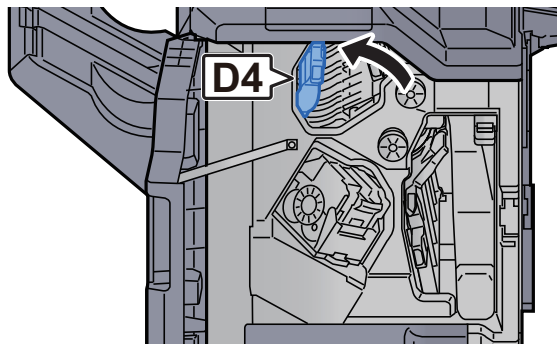


Clearing a Staple Jam of the 4,000-Sheet Finisher

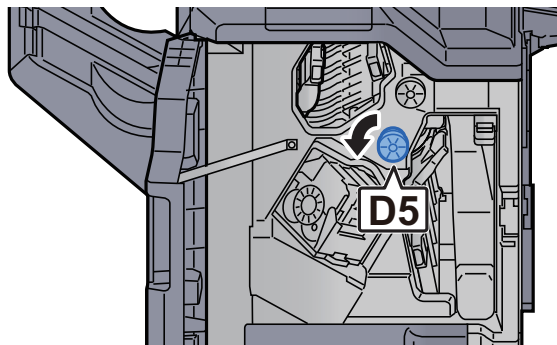
- 1 **Open the finisher front cover 1.**



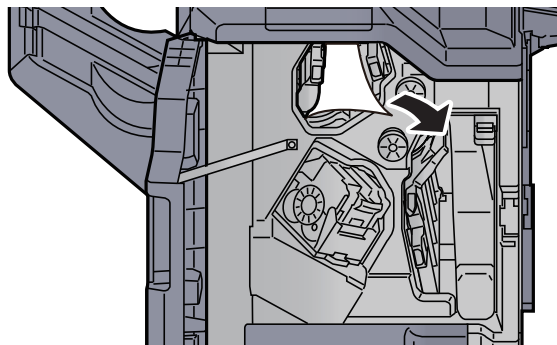
- 2 **Open the conveyor guide (D4).**



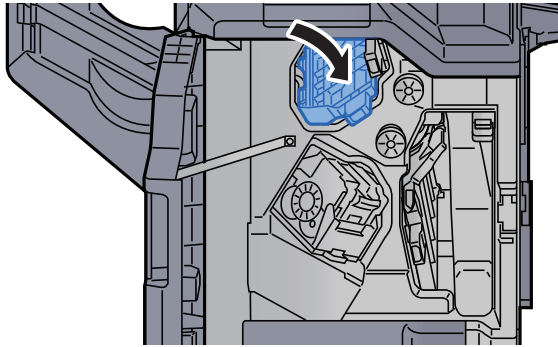
- 3 **Turn knob (D5).**



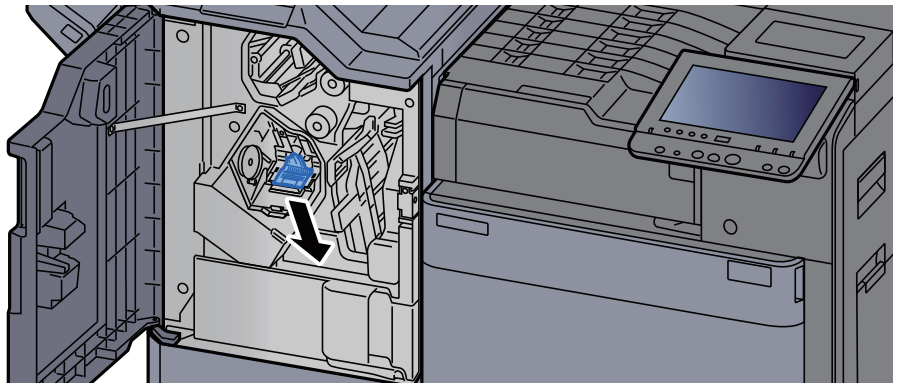
- 4 **Remove any jammed paper.**



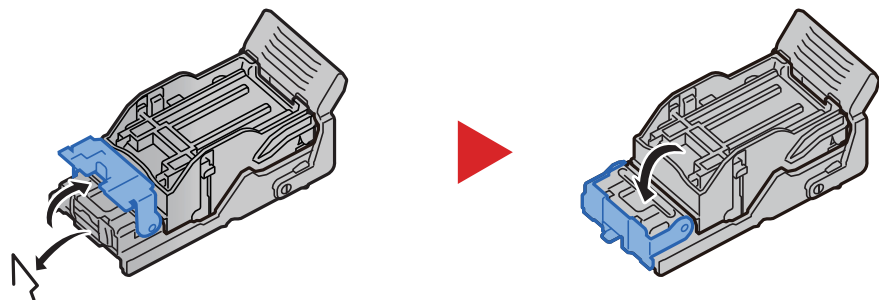
5 Return the conveyor guide (D4) to the original position.



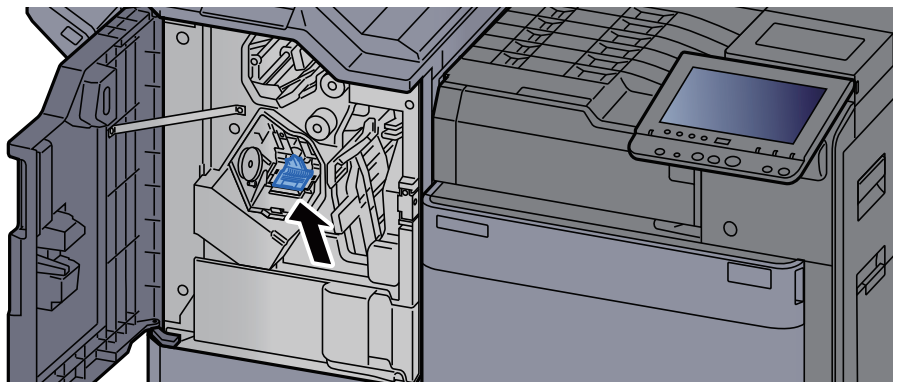
6 Remove the Staple Cartridge Holder (A).



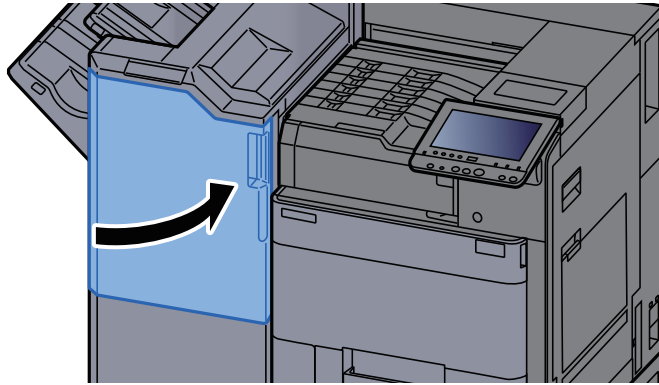
7 Remove the jammed staple.



8 Install the Staple Cartridge Holder (A).

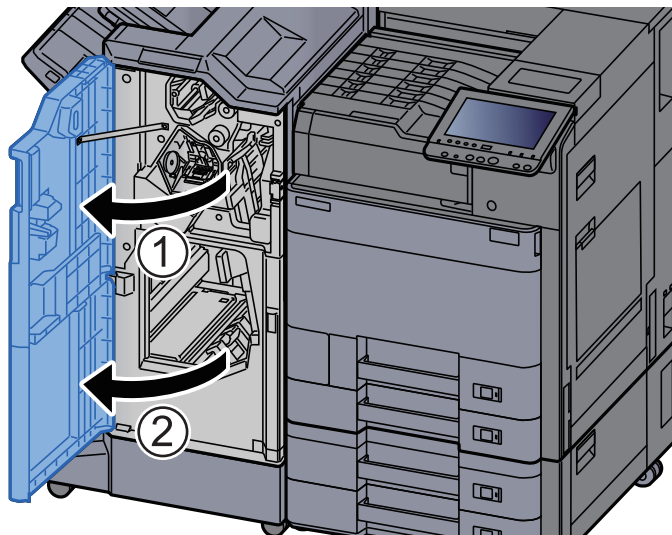


9 Return the cover to the original position.

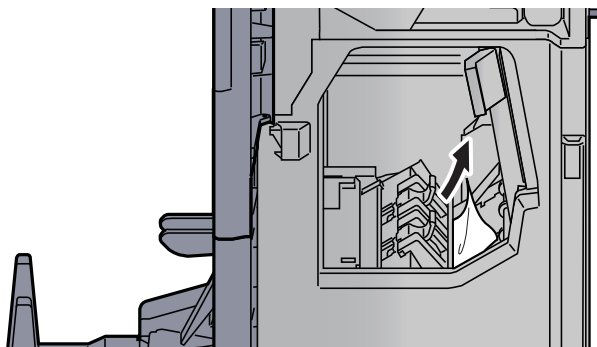


Clearing a Staple Jam of the Folding Unit

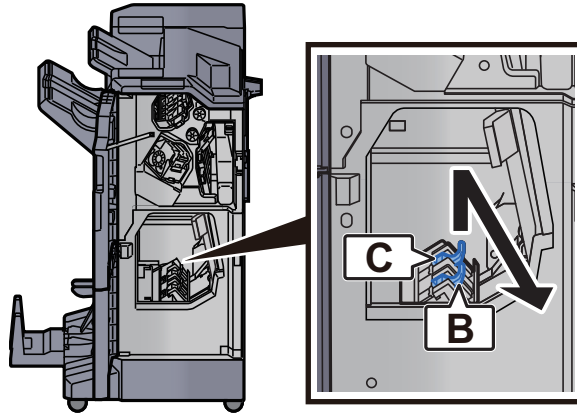
1 Open the finisher front cover 1 and 2.



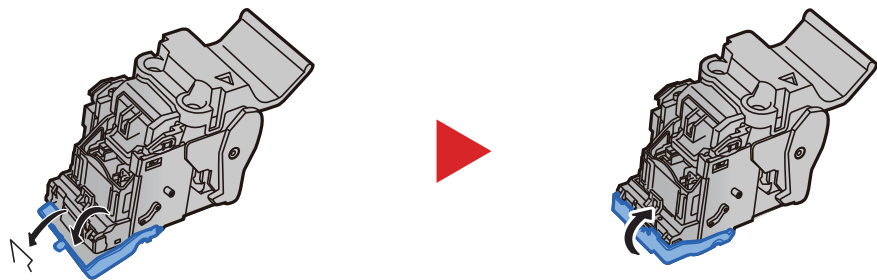
2 Remove paper from inside the finisher.



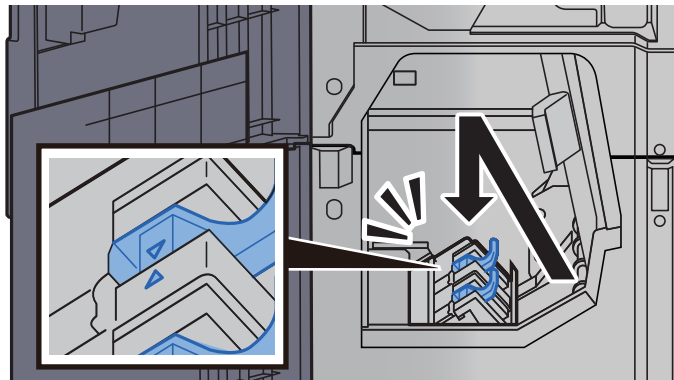
3 Remove the Staple Cartridge Holder (B) or (C).



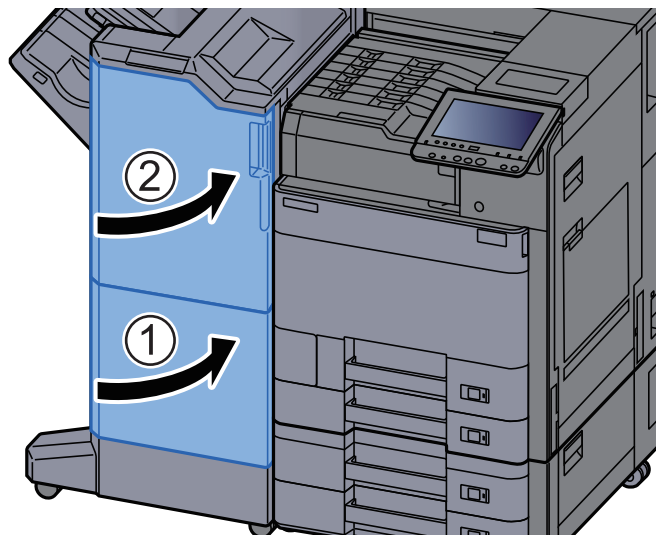
4 Remove the jammed staple.



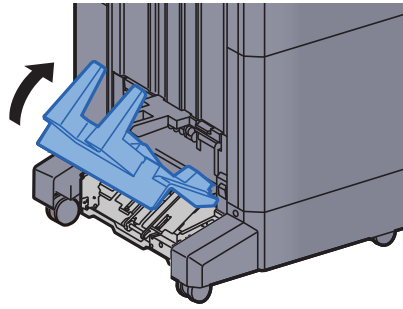
5 Install the Staple Cartridge Holder (B) or (C).



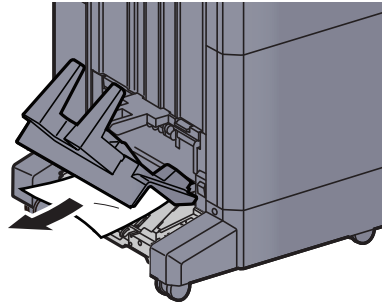
6 Return the covers to the original position.



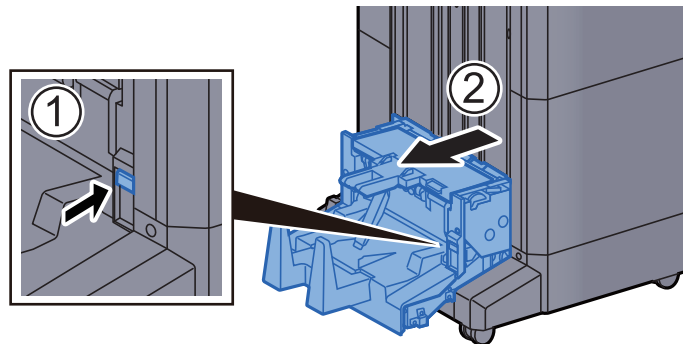
7 Lift the folding tray.



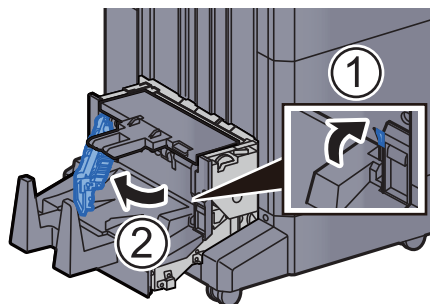
8 Remove any jammed paper.



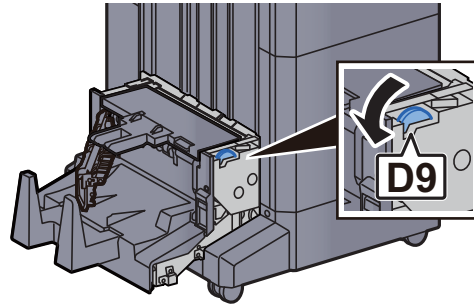
9 Press the release lever to pull the folding unit out.



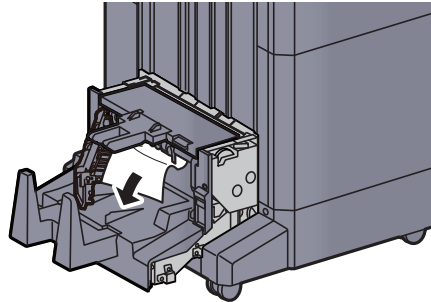
10 Open the folding unit left cover.



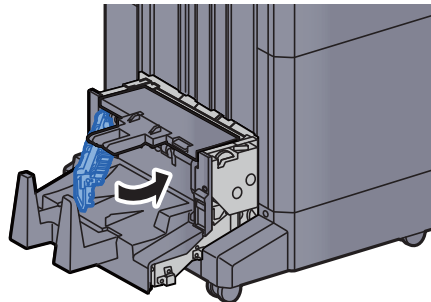
11 Turn dial (D9).



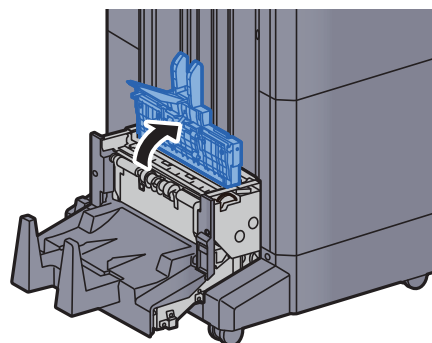
12 Remove any jammed paper.



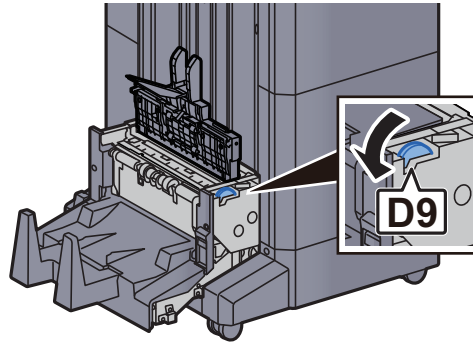
13 Return the folding unit left cover to the original position.



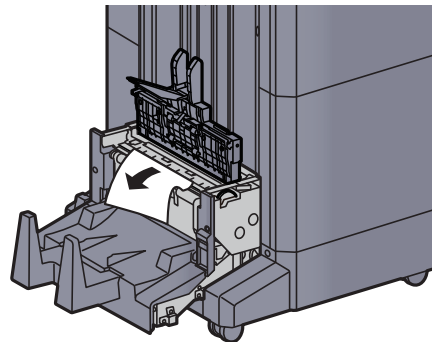
14 Open the folding unit top cover.



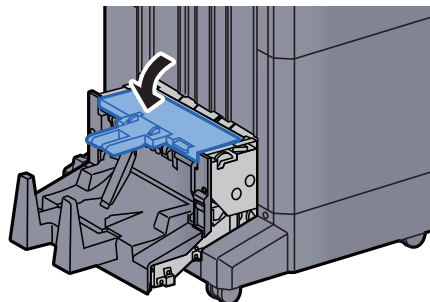
15 Turn dial (D9).



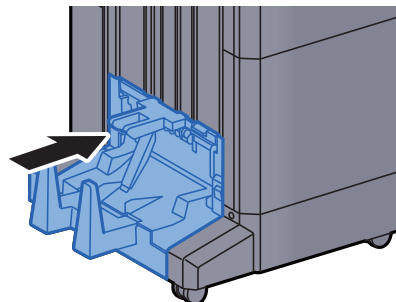
16 Remove any jammed paper.



17 Return the folding unit top cover to the original position.



18 Return the folding unit to the original position.



11 Appendix

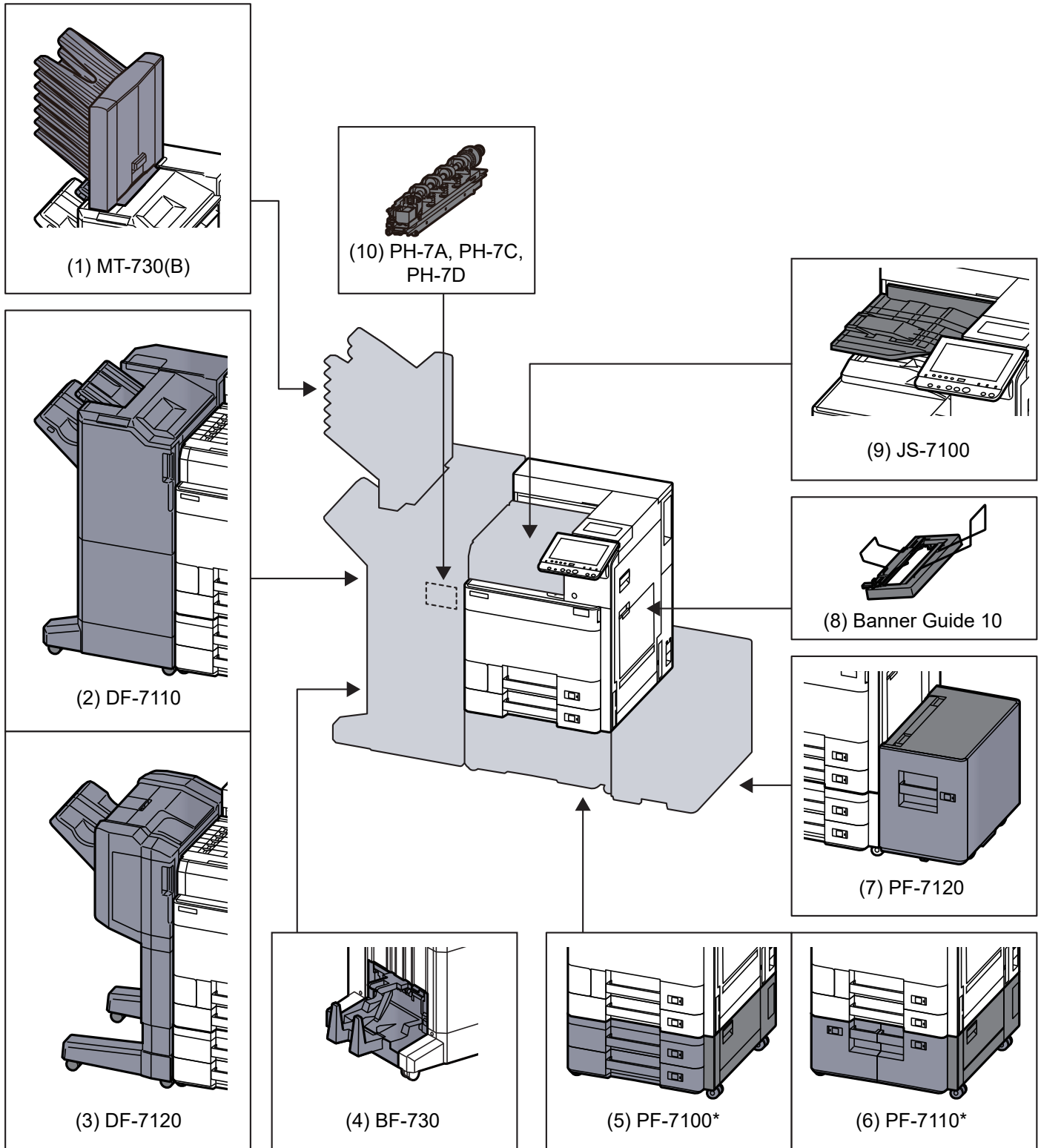
This chapter explains the following topics:

Optional Equipment	11-2
Overview of Optional Equipment	11-2
Optional Applications	11-7
Starting Application Use	11-7
Checking Details of Application	11-8
Character Entry Method	11-9
Entry Screens	11-9
Entering Characters	11-11
Paper	11-12
Basic Paper Specifications	11-12
Choosing the Appropriate Paper	11-13
Special Paper	11-15
Specifications	11-19
Machine	11-19
Printer Functions	11-21
Paper Feeder (500-sheet×2)	11-22
Large Capacity Feeder (1,500-sheet×2)	11-22
Side Feeder (3,000-sheet)	11-22
1,000-Sheet Finisher	11-23
4,000-Sheet Finisher	11-24
Punch Unit (For 1,000-Sheet/4,000-Sheet Finisher)	11-24
Mailbox	11-25
Folding Unit	11-25
Job Separator Tray	11-26
Banner Tray	11-26
Glossary	11-27

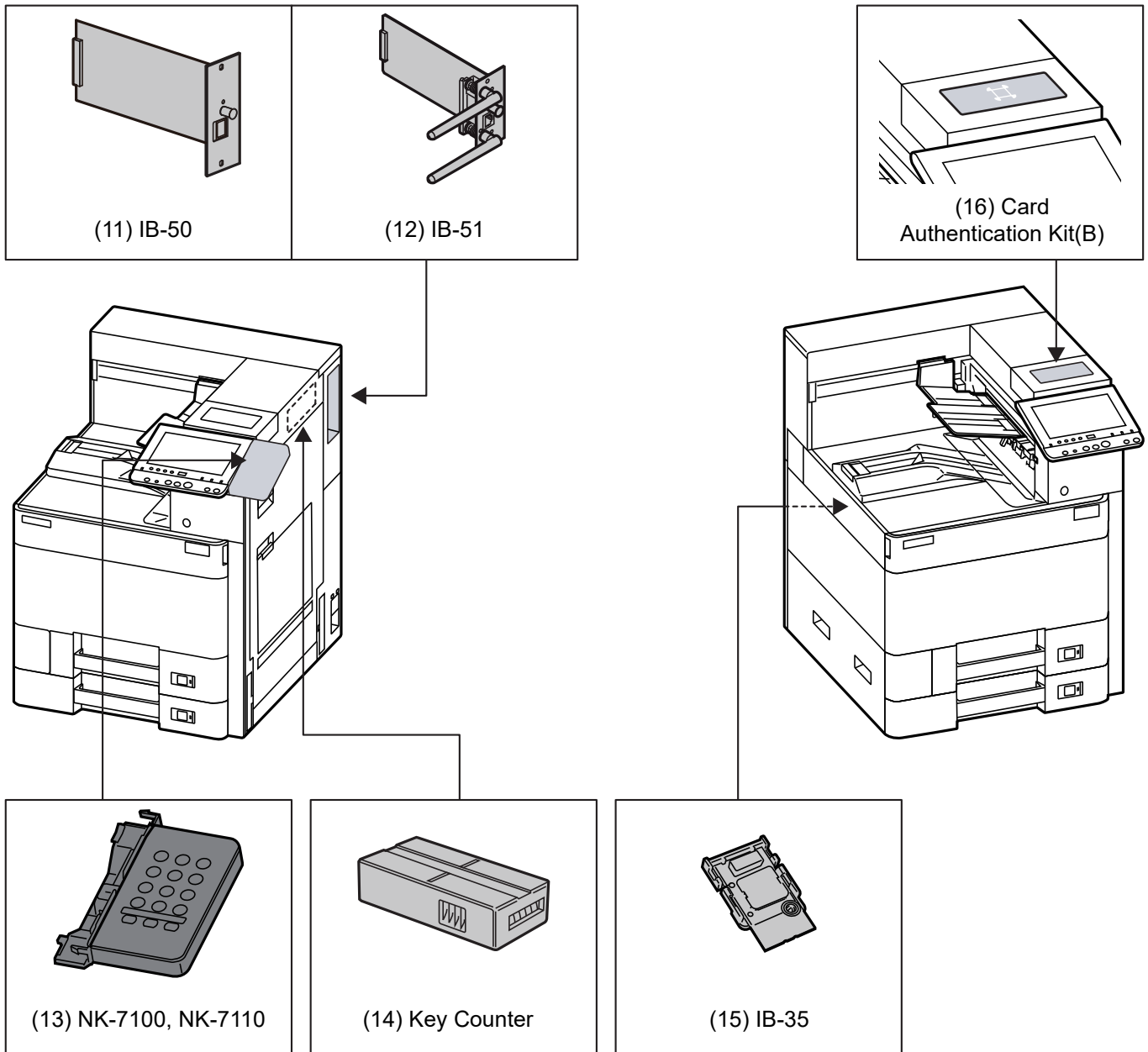
Optional Equipment

Overview of Optional Equipment

The following optional equipment is available for the machine.



* If the following option is installed, toppling prevention kit must be installed: PF-7100, PF-7110



Software option
(17) Data Security Kit(E)
(18) UG-33
(19) UG-34
(20) USB Keyboard

(1) MT-730 (B) "Mailbox"

Makes it easy to sort output into separate trays. Installing this option adds 7 output trays. When multiple computer users share the printer, each user can print to a specified tray. Installs on the 4,000-Sheet Finisher.

NOTE

To deliver output to the mail box, change the Paper Output selection on the operation panel or in the printer driver, or change in the default settings.

➔ [Paper Output \(page 6-12\)](#)

(2) DF-7110 "4,000-Sheet Finisher"

This is a large-capacity 4,000-Sheet Finisher capable of holding large print runs and of separating and offsetting multiple copies of a printout into individual copies. It can also staple or hole-punch (optional) the offset printouts.

(3) DF-7120 "1,000-Sheet Finisher"

This is a document finisher capable of holding large print runs and of separating and offsetting multiple copies of a printout into individual copies. It can also staple or hole-punch (optional) the offset printouts.

(4) BF-730 "Folding Unit"

Folds printed output at the center or in tri-fold to enable the creation of simple booklets. Installs on the 4,000-Sheet Finisher.

(5) PF-7100 "Paper Feeder (500-sheet×2)"

Two additional cassettes identical to the machine's cassette can be installed in the machine. Paper capacity and loading method are the same as the standard cassettes.

➔ [Loading in Cassette 1 \(page 3-4\)](#)

(6) PF-7110 "Large Capacity Feeder (1,500-sheet×2)"

In addition to the machine's cassettes, you can also install an optional large capacity feeder (1,500-sheet×2) capable of holding up to 3,000 sheets of A4, B5 or Letter paper.

➔ [Loading in the Large Capacity Feeder \(page 3-14\)](#)

(7) PF-7120 "Side Feeder (3,000-sheet)"

In addition to the machine's cassettes, you can also install an optional side feeder (3,000-sheet) capable of holding up to 3,000 sheets of A4, B5 or Letter paper.

➔ [Loading in the Side Feeder \(page 3-16\)](#)

(8) Banner Guide 10 "Banner Tray"

This tray enables continuous feeding of banner paper. Up to 10 sheets of banner paper can be loaded. To attach the tray and load paper, refer to the following:

➔ [Using the Banner Tray \(Option\) \(page 4-12\)](#)

(9) JS-7100 "Job Separator"

Separate paper according to output tray for easier sorting. Specify as the output tray for print jobs. Or, specify as the default output tray for printing from the Document Box screen, and printing from the PC.

NOTE

To ensure that paper is delivered to the Job Separator, select the output destination or change the default setting.

➔ [Paper Output \(page 6-12\)](#)

(10) PH-7A, PH-7C, PH-7D "Punch Unit"

Attaches to the Document Finisher and is used to punch holes.

(11) IB-50 "Network Interface Kit"

The Network Interface Kit provides a high-speed connection for the Gigabit-per-second interface. This kit supports traditional protocols such as AppleTalk, Netware and so on.

It also supports only the least functions in the standard utilities.

➔ **IB-50 User's Manual**

(12) IB-51 "Wireless Network Interface Kit"

This is a wireless LAN interface card which supports the wireless LAN specifications IEEE802.11n (Max 300 Mbps) and 11 g/b. This supports traditional protocols such as AppleTalk, Netware and so on.

It also supports only the least functions in the standard utilities.

The IB-51 Steup utility supports Windows OS and Mac OS X.

➔ **IB-51 User's Manual**

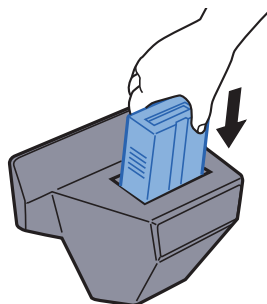
(13) NK-7100, NK-7110 "Numeric Keypad"

The numeric keypad is added to the operation panel. If the numeric keypad is installed, numeric keys do not appear on the touch panel.

(14) Key Counter "Key Counter"

Use the key counter to monitor machine usage. The key counter offers a convenient solution for centralized management of print volume for different departments in a large company.

Inserting the Key Counter



(15) IB-35 "Wireless Network Interface Kit"

This is a wireless LAN interface card which supports the wireless LAN specifications IEEE802.11n (max. 65 Mbps) and IEEE802.11 g/b. In addition, network printing is possible without using the wireless LAN router because Wi-Fi Direct is supported. IB-35 is standard for some models.

(16) Card Authentication Kit(B) "Card Authentication Kit"

User login administration can be performed using ID cards. To do so, it is necessary to register ID card information on the previously registered local user list. For more information about how to register this information, refer to the following:

➔ **Card Authentication Kit(B) Operation Guide**

(17) Data Security Kit(E) "Data Security Kit"

The Security Kit overwrites all unnecessary data in the data storage area after printing and deletion so that it cannot be retrieved. The Security Kit encrypts and writes data in the hard disk/SSD. It guarantees higher security because no data can be read (decoded) even in case of emergency.

(18) UG-33 "ThinPrint Option"

This application allows print data to be printed directly without a print driver.

(19) UG-34 "Emulation Upgrade Kit"

Enables emulation whereby the machine operates using commands for other printers. Installing this option enables IBM Proprinter, Line Printer, and EPSON LQ-850 emulation.

(20) USB Keyboard "USB Keyboard"

A USB keyboard can be used to enter information into the text fields on the operation panel. A special mount is also available to install the keyboard on the machine. Please contact your dealer or service representative for information on keyboards that are compatible with your machine before you purchase one.

Optional Applications

Overview of the Applications

The applications listed below are installed on this machine.

Application
Data Security Kit
Card Authentication Kit
ThinPrint Option ^{*1}
Emulation Upgrade Kit

*1 This can be used on a trial basis for a limited time.

NOTE

- Restrictions such as the number of times the application can be used during the trial period differ depending on the application.
- If you change the date/time while using the trial version of an application, you will no longer be able to use the application.

Starting Application Use

1 Display the screen.

[System Menu/Counter] key > [System/Network] > "Optional Function" [Next]

NOTE

If the user authentication screen appears, enter your login user name and login password and select [Login]. For this, you need to login with administrator privileges. The factory default login user name and login password are set as shown below.

Login User Name: 6000

Login Password: 6000

2 Select the desired application > [Activate]

You can view detailed information on the selected application by selecting [Detail].

3 Select [Official] in the license key entry screen.

Some applications do not require you to enter a license key. If the license key entry screen does not appear, go to Step 5.

To use the application as a trial, select [Trial] without entering the license key.

4 Select [Yes] in the confirmation screen.

NOTE

Icons of activated application are displayed in the Home screen.

Checking Details of Application

1 Display the screen.

[System Menu/Counter] key > [System/NetWork] > "Optional Function" [Next]



NOTE

If the user authentication screen appears, enter your login user name and login password and select [Login]. For this, you need to login with administrator privileges. The factory default login user name and login password are set as shown below.

Login User Name: 6000

Login Password: 6000

2 Select the desired application and select [Detail].

You can view detailed information on the selected application.

The table below lists the item you can view.

Item
Function Name
License
Remaining Counts
Expiration Date
Status

Extend the trial period.

[Extend] > [Yes]

The trial period is extended.

Character Entry Method

To enter characters for a name, use the on-display keyboard in the touch panel following the steps as explained below.

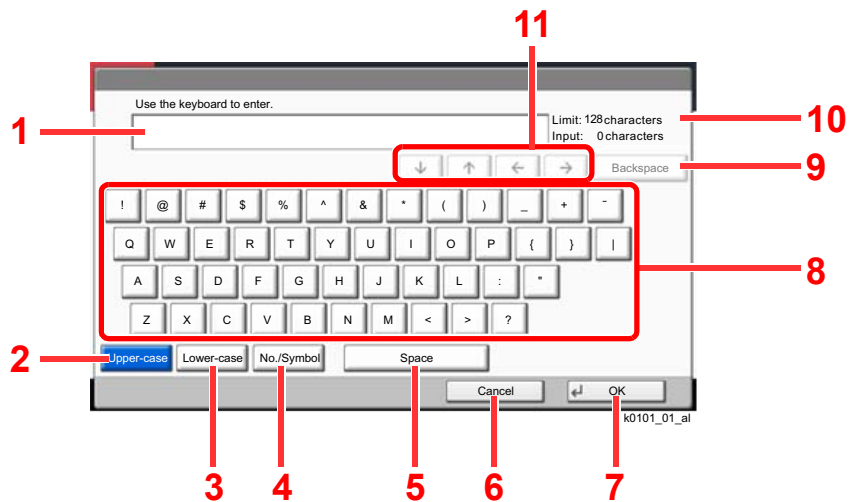
NOTE

Keyboard Layout

"QWERTY", "QWERTZ" and "AZERTY" are available as keyboard layouts the same as a PC keyboard. Select the [System Menu/Counter] key, [Common Settings] and then [Keyboard Layout] to choose the desired layout. "QWERTY" layout is used here as an example. You may use another layout following the same steps.

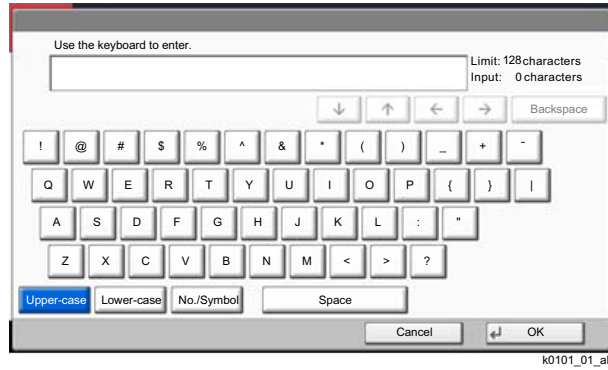
Entry Screens

Lower-case Letter Entry Screen

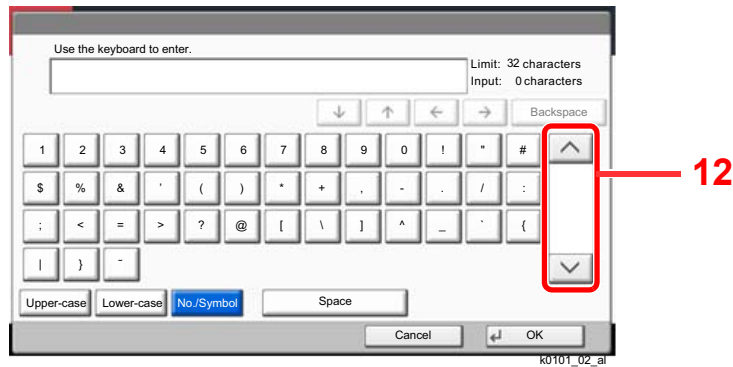


No.	Display/Key	Description
1	Display	Displays entered characters.
2	[Upper-case]	Select to use upper-case letters.
3	[Lower-case]	Select to use lower-case letters.
4	[No./Symbol]	Select to enter numbers and symbols.
5	[Space]	Select to insert a space.
6	[Cancel]	Select to cancel entered characters and return to the screen before the entry.
7	[OK]	Select to finalize entry and return to the screen before the entry.
8	Keyboard	Select a character to enter.
9	[Backspace]	Select to delete a character to the left of the cursor.
10	Limit Display	Displays maximum number of characters.
11	Cursor Key	Select to move the cursor on the display.

Upper-case Letter Entry Screen



Number/Symbol Entry Screen

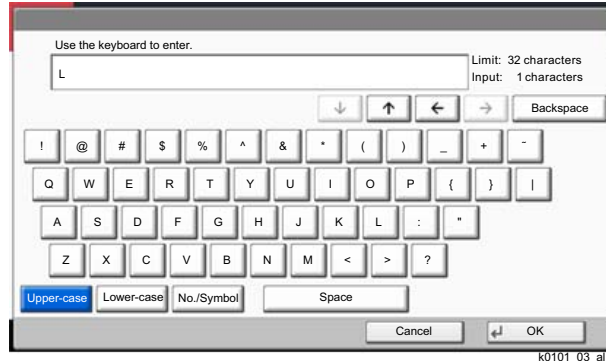


No.	Display/Key	Description
12	[^]/[v]	To enter a number or symbol not shown in the keyboard, select the cursor key and scroll the screen to view other numbers or symbols to enter.

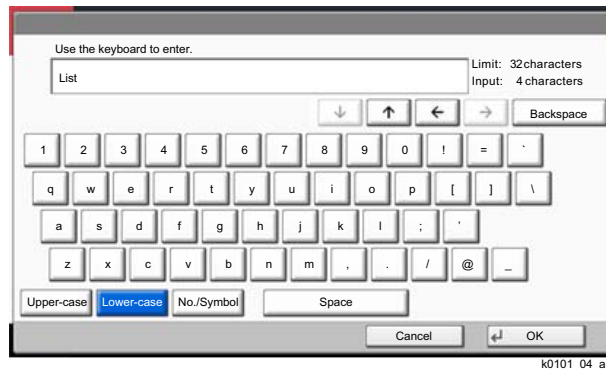
Entering Characters

Follow the steps below to enter 'List A-1' for an example.

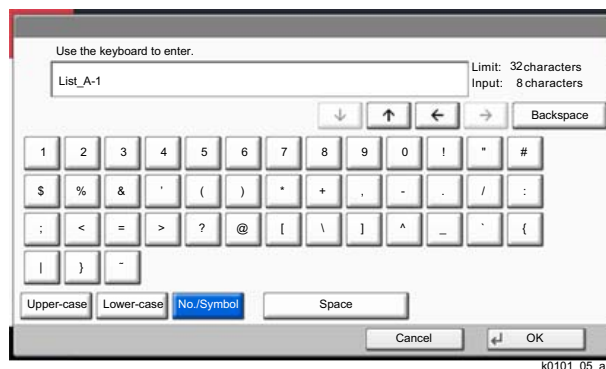
- 1 Select [Upper-case].
- 2 Select [L]. The letter "L" is shown on the display.



- 3 Select [Lower-case].
- 4 Select [i], [s], [t] and [Space].



- 5 Select [Upper-case].
- 6 Select [A].
- 7 Select [No./Symbol].
- 8 Select [^] or [v] repeatedly to view the keyboard containing [-] and [1].
- 9 Select [-] and [1].



- 10 Check that the entry is correct. Press [OK].

Paper

This section explains the paper sizes and types that can be used in the paper source.

For details on the sizes, types, and number of sheets of paper that can be loaded in each paper tray, refer to the following:

➔ [Specifications \(page 11-19\)](#)

Basic Paper Specifications

This machine is designed to print on standard copy paper as used in regular ('dry') copiers and page printers such as laser printers. It also supports a variety of other types of paper that conform to the specifications given in this appendix.

Be careful when choosing paper. Paper unsuitable for the machine may cause jams or may be wrinkled.

Supported Paper

Use standard copy paper for regular copiers or laser printers. The printing quality will be affected by the quality of paper. Poor quality paper may result in unsatisfactory output.

Basic Paper Specifications that can be Used with This Machine

The following table lists the specifications of paper that is supported with this machine. Refer to the subsequent sections for further details.

Criteria	Specifications
Weight	Cassettes: 52 to 300 g/m ²
	Multipurpose tray: 52 to 300 g/m ²
Dimensional accuracy	±0.7 mm
Squareness of corners	90° ±0.2°
Moisture content	4 to 6%
Pulp content	80% or more

NOTE

Some recycled paper does not meet requirements for use with this machine as listed in the Basic Paper Specifications shown below, such as moisture or pulp content. For this reason, we recommend purchasing a small amount of recycled paper as a sample for testing prior to use. Choose recycled paper that gives the best printing results and contains low levels of paper dust.

We are not responsible for the problems occurred from the use of paper that does not conform to our specifications.

Choosing the Appropriate Paper

This section describes guidelines for choosing paper.

Condition

Avoid using paper with bent corners or that is curled, dirty, or torn. Do not use paper that has a rough surface or paper fiber lint, or that is especially delicate. Use of paper in any of these conditions will not only deliver poor copies but may also cause jams and shorten the useful life of the machine. Choose paper with a smooth and even surface; however, avoid coated paper or paper with a treated surface as it may damage the drum or fusing unit.

Ingredients

Do not use paper such as paper that has been coated or surface-treated or paper that contains plastic or carbon. Those types of paper may produce harmful fumes from the heat of printing and may damage the drum.

Be sure to use the standard paper that contains at least 80% pulp, i.e., not more than 20% of the total paper content consists of cotton or other fibers.

Smoothness

The paper surface should be smooth, but it must be uncoated. With paper that is too smooth and slippery, several sheets may accidentally be supplied at once, causing jams.

Basis Weight

In countries that use the metric system, basis weight is the weight in grams of one sheet of paper one square meter in area. In the United States, basis weight is the weight in pounds of one ream (500 sheets) of paper cut to the standard size (or trade size) for a specific grade of paper. Paper that is too heavy or too light may be supplied incorrectly or cause paper jams, which may cause excessive wear of the machine. Mixed paper weight (i.e., thickness) may cause several sheets to be supplied at once accidentally and may also cause blurring or other printing problems if the toner fails to adhere correctly.

Moisture Content

Paper moisture content is the ratio of moisture to dryness expressed as a percentage. Moisture affects how the paper is supplied, the electrostatic chargeability of the paper, and how the toner adheres.

Paper moisture content varies depending on the relative humidity in the room. High relative humidity causes paper to become damp, making the edges expand so it appears wavy. Low relative humidity causes paper to lose moisture, making the edges tighten and weakening print contrast.

Wavy or tight edges may cause the paper to slip when it is supplied. Try to keep the moisture content between 4 to 6%.

To maintain the right level of moisture content, bear in mind the following considerations.

- Store paper in a cool, well-ventilated place.
- Store paper flat and unopened in the package. Once the package is opened, reseal it if the paper is not to be used for a while.
- Store paper sealed in the original package and box. Put a pallet under the carton to keep it raised above the floor. Especially during rainy seasons keep the paper a sufficient distance away from wooden or concrete floors.
- Before using paper that has been stored, keep it at the proper moisture level for at least 48 hours.
- Do not store paper where it is exposed to heat, sunlight, or dampness.

Other Paper Specifications

Porosity: The density of the paper fibers.

Stiffness: Paper must be stiff enough or it may buckle in the machine, causing jams.

Curl: Most paper naturally tends to curl after the package is opened. When paper passes through the fixing unit, it curls upward slightly. To deliver flat printouts, load the paper so that the curl faces towards the bottom of the paper tray.

Static electricity: During printing, paper is electrostatically charged so that the toner adheres. Choose paper that can be discharged quickly so that copies do not cling together.

Whiteness: Paper whiteness affects print contrast. Use whiter paper for sharper, brighter copies.

Quality: Machine problems may occur if sheet sizes are not uniform or if corners are not square, edges are rough, sheets are uncut, or edges or corners are crushed. In order to prevent these problems, be especially careful when you cut the paper yourself.

Packaging: Choose paper that is properly packaged and stacked in boxes. Ideally, the packaging itself should have been treated with a coating to inhibit moisture.

Specially treated paper: We do not recommend printing onto the following types of paper, even if it conforms to the basic specifications. When you use these kinds of paper, purchase a small amount first as a sample to test.

- Glossy paper
- Watermarked paper
- Paper with an uneven surface
- Perforated paper

Paper Sizes that can be Used with This Machine

Paper of the following sizes is supported by the machine.

Measurements in the table take into account a ± 0.7 mm dimensional accuracy for length and width. Corner angles must be $90^\circ \pm 0.2^\circ$.

- | | |
|---|---|
| • A3 (297 × 420 mm) ^{*1} | • ISO B5 (176 × 250 mm) |
| • A4 (297 × 210 mm) | • Envelope #10 (4-1/8 × 9-1/2") |
| • A5 (210 × 148 mm) | • Envelope #9 (3-7/8 × 8-7/8") |
| • A6 (148 × 105 mm) | • Envelope #6 3/4 (3-5/8 × 6-1/2") |
| • B4 (257 × 364 mm) ^{*1} | • Envelope Monarch (3-7/8 × 7-1/2") |
| • B5 (257 × 182 mm) | • Envelope DL (110 × 220 mm) |
| • B6 (182 × 128 mm) | • Envelope C5 (162 × 229 mm) |
| • 216×340 mm ^{*1} | • Envelope C4 (229 × 324 mm) ^{*1} |
| • SRA3 (320 × 450 mm) ^{*1} | • Hagaki (Cardstock) (100 × 148 mm) |
| • Ledger ^{*1} | • Oufuku hagaki (Return postcard) (148 × 200 mm) |
| • Letter | • Youkei 4 (105 × 235 mm) |
| • Legal | • Youkei 2 (114 × 162 mm) |
| • Statement | • Custom |
| • Executive (7-1/4 × 10-1/2") | Cassette 1: 98 × 148 to 297 × 356 mm |
| • 12×18" (304.8 × 457 mm) ^{*1} | Cassette 2 to 4: 98 × 148 to 320 × 457 mm ^{*2} |
| • Oficio II | Multipurpose Tray: 98 × 148 to 320 × 457 mm |
| • Folio (210 × 330 mm) | |
| • 8K (273 × 394 mm) ^{*1} | |
| • 16K (273 × 197 mm) | |

^{*1} This paper cannot be used in cassette 1.

^{*2} The Paper Feeder (500-sheets×2) can only be used for cassettes 3 and 4.

Special Paper

This section describes printing onto special paper and print media.

Special Paper that can be Used with This Machine

- Transparencies
- Preprinted paper
- Bond paper
- Recycled paper
- Thin paper
- Letterhead
- Colored paper
- Prepunched paper
- Envelopes
- Hagaki (Cardstock)
- Thick paper
- Labels
- Coated
- High-quality paper
- Index tab dividers (136 to 256 g/m²)

When using these paper and media, choose those that are designed specifically for copiers or page printers (such as laser printers). Use the multipurpose tray for transparencies, label paper, coated paper and index tab dividers.

Choosing Special Paper

Although special paper that meets the following requirements can be used with the machine, print quality will vary considerably due to differences in the construction and quality of special paper. Thus, special paper is more likely than regular paper to cause printing problems. Before purchasing special paper in volume, try testing a sample to ensure the print quality is satisfactory. General precautions when printing onto special paper are given below. Note that we are not responsible for any harm to the user or damage to the machine caused by moisture or specifications of special paper.

Select a cassette or multipurpose tray for special paper.

Transparencies

Transparencies must be able to withstand the heat of printing. Transparencies must meet the following conditions.

Heat resistance	Must withstand at least 190°C
Thickness	0.100 to 0.110 mm
Material	Polyester
Dimensional accuracy	±0.7 mm
Squareness of corners	90° ±0.2°

To avoid problems, use the multipurpose tray for transparencies and load transparencies with the long side facing the machine.

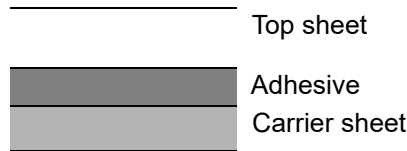
If transparencies jam frequently at output, try pulling the leading edge of sheets gently as they are ejected.

Label

Be sure to feed labels from the multipurpose tray.

For selecting labels, use extreme care so that the adhesive may not come in direct contact with any part of the machine and that the labels are not easily peeled from the carrier sheet. Adhesives that stick to the drum or rollers and peeled labels remaining in the machine may cause a failure.

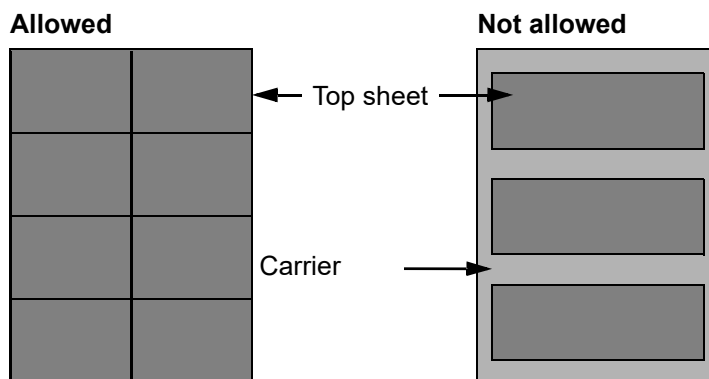
When printing onto labels, you must be liable for the print quality and possible trouble.



Labels consist of three layers as shown in the illustration. The adhesive layer contains materials that are easily affected by the force applied in the machine. The carrier sheet bears the top sheet until the label is used. This composition of labels may cause more problems.

The label surface must be covered completely with the top sheet. Gaps between labels may cause peeling of labels, resulting in a serious failure.

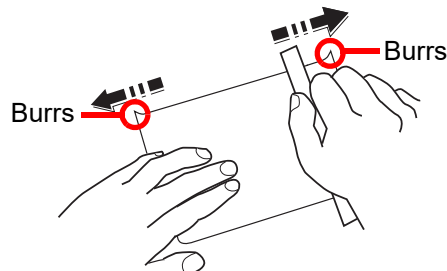
Some label paper has large margins on the top sheet. When using such paper, do not peel these margins from the carrier sheet before completing output.



Use label paper that conforms to the following specifications.

Top sheet weight	44 to 74 g/m ²
Basis weight (overall paper weight)	104 to 151 g/m ²
Top sheet thickness	0.086 to 0.107 mm
Overall paper thickness	0.115 to 0.145 mm
Moisture content	4 to 6 % (composite)

Hagaki (Cardstock)



Before loading Hagaki (Cardstock), fan them and align the edges. Hagaki (Cardstock) should be fed from the multipurpose tray with the print-side down or the cassette and the optional paper feeder with the print-side up. If the Hagaki (Cardstock) paper is curled, straighten it before loading. Printing onto curled Hagaki (Cardstock) may cause jams.

Use unfolded Oufuku hagaki (Return postcard) (available at post offices). Some Hagaki (Cardstock) may still have rough edges developed by a paper cutter on the back side. Remove any such rough edges by placing the Hagaki (Cardstock) on a flat surface and rubbing the edges gently a few times with a ruler.

Envelopes

Envelopes should be fed from the multipurpose tray with the print-side down or the cassette and the optional paper feeder with the print-side up.

NOTE

Do not load paper above the load limits located on the paper width guide of the cassette and the optional paper feeder.

Due to the structure of envelopes, printing evenly over the entire surface may not be possible in some cases. Thin envelopes in particular may be wrinkled by the machine in some cases as they pass through. Before purchasing envelopes in volume, try testing a sample to ensure the print quality.

Storing envelopes for a long period may cause them to become wrinkled. Thus, keep the package sealed until you are ready to use them.

Keep the following points in mind.

- Do not use envelopes with exposed adhesive. In addition, do not use the type of envelope in which the adhesive is exposed after the top layer is peeled off. Serious damage may be caused if the paper covering the adhesive comes off in the machine.
- Do not use envelopes with certain special features. For example, do not use envelopes with a grommet for winding a string to close the flap or envelopes with an open or film-covered window.
- If paper jams occur, load fewer envelopes at once.

Thick Paper

Before loading thick paper, fan it and align the edges. Some thick paper may still have rough edges developed by a paper cutter on the back side. Remove any such rough edges just as with Hagaki (Cardstock) by placing the paper on a flat surface and rubbing the edges gently a few times with a ruler. Printing onto paper with rough edges may cause jams.

NOTE

If the paper is not supplied correctly even after it is smoothed, load the paper with the leading edge raised a few millimeters.

Colored Paper

Colored paper must conform to the specifications.

➔ [Basic Paper Specifications \(page 11-12\)](#)

In addition, the pigments in the paper must be able to withstand the heat of printing (up to 200°C or 392°F).

Preprinted Paper

Preprinted paper must conform to the specifications.

➔ [Basic Paper Specifications \(page 11-12\)](#)

The colored ink must be able to withstand the heat of printing. It must be resistant to silicone oil as well. Do not use paper with a treated surface such as glossy paper used for calendars.

Recycled Paper

Recycled paper must conform to the specifications; however, its whiteness may be considered separately.

➔ [Basic Paper Specifications \(page 11-12\)](#)



NOTE

Before purchasing recycled paper in volume, try testing a sample to ensure satisfactory print quality.

Coated Paper

Coated paper is created by treating the surface of the base paper with a coating that provides higher printing quality than plain paper. Coated paper is used for particularly high quality printing.

The surface of high-quality or medium-quality paper is coated with special agents that improve ink adhesion by making the paper surface smoother. These agents are used either to coat both sides of the paper or just one side. The coated side appears slightly glossy.



IMPORTANT

When printing on coated paper in very humid environments, ensure that the paper is kept dry as moisture may cause sheets to stick together when they are fed into the machine. If printing in very humid environments, set coated paper for one sheet each.

Specifications

 **IMPORTANT**

Specifications are subject to change without notice.

Machine

Item		Description
Type		Desktop
Printing Method		Electrophotography by semiconductor laser
Paper Weight	Cassette	52 to 300 g/m ²
	Multipurpose Tray	52 to 300 g/m ²
Paper Type	Cassette	Plain, Rough, Vellum, Recycled, Preprinted, Bond, Cardstock, Color, Prepunched, Letterhead, Envelope, Thick, High Quality, Custom (Duplex: Same as Simplex)
	Multipurpose Tray	Plain, Transparency (OHP film), Rough, Vellum, Labels, Recycled, Preprinted, Bond, Cardstock, Color, Prepunched, Letterhead, Envelope, Thick, High Quality, Coated, Index Tab Dividers, Custom 1 to 8
Paper Size	Cassette 1	A4, A5, A6, B5, B6, Letter, Legal, Statement, Executive, Oficio II, Folio, 16K, ISO B5, Envelope #10, Envelope #9, Envelope #6, Envelope Monarch, Envelope DL, Envelope C5, Hagaki (Cardstock), Oufuku Hagaki (Return postcard), Youkei 4, Youkei 2, Custom (98 × 148 mm to 297 × 356 mm)
	Cassette 2	A3, A4, A5, A6, B4, B5, B6, 216×340 mm, SRA3, Ledger, Letter, Legal, Statement, Executive, 12×18", Oficio II, Folio, 8K, 16K, ISO B5, Envelope #10, Envelope #9, Envelope #6, Envelope Monarch, Envelope DL, Envelope C5, Envelope C4, Hagaki (Cardstock), Oufuku Hagaki (Return postcard), Youkei 4, Youkei 2, Custom (98 × 148 mm to 320 × 457 mm)
	Multipurpose Tray	A3, A4, A5, A6, B4, B5, B6, 216×340 mm, SRA3, Ledger, Letter, Legal, Statement, Executive, 12×18", Oficio II, Folio, 8K, 16K, ISO B5, Envelope #10, Envelope #9, Envelope #6, Envelope Monarch, Envelope DL, Envelope C5, Envelope C4, Hagaki (Cardstock), Oufuku Hagaki (Return postcard), Youkei 4, Youkei 2, Custom (98 × 148 mm to 320 × 457 mm) Banner sheet (210 × 470.1 to 304.8 × 1,220 mm/8.26" × 18.5" to 12" × 48")
Printable Area		Print margin for top, bottom and both sides is 4 mm
Warm-up Time (22°C/71.6°F, 60%)	Power on	17 seconds or less
	Low Power	15 seconds or less
	Sleep	17 seconds or less
Paper Capacity	Cassette	500 sheets (80 g/m ²)* ¹
	Multipurpose Tray	150 sheets (A4/Letter or smaller) (80 g/m ²), 50 sheets (larger than A4/Letter) (80 g/m ²) 1 sheet (Banner sheet (210 × 470.1 to 304.8 × 1,220 mm/8.26" × 18.5" to 12" × 48")) (136 to 163 g/m ²)

Item		Description
Output Tray Capacity	Main tray	500 sheets (80 g/m ²)
Image Write System		Semiconductor laser and electrophotography
Memory		4.0 GB
Large Capacity Storage		SSD 8 GB/Hard Disk 320 GB
Interface	Standard	USB Interface Connector: 1 (Hi-Speed USB) Network interface: 1 (10 BASE-T/100 BASE-TX/1000 BASE-T (IPv6, IPv4, IPSec), 802.3a supported) USB Port: 4 (Hi-Speed USB)
	Option	eKUIO: 2 Wireless LAN: 1* ²
Operating Environment	Temperature	10 to 32.5°C/50 to 90.5°F
	Humidity	10 to 80 %
	Altitude	3,500 m/11,482 ft maximum
	Brightness	1,500 lux maximum
Dimension (W × D × H)		23.71 " × 26.19" × 31.11" 602 × 665 × 790 mm
Weight		Approx. 169 lb/Approx. 76.9 kg (without toner container)
Space Required (W × D) (Using multipurpose tray)		36.23" × 26.19" 920 × 665 mm
Power Source		120 V Specification Model: 120 V ~ 60 Hz 12 A 230 V Specification Model: 220 to 240 V ~ 50/60 Hz 7.2 A
The power consumption of the product in networked standby (If all network ports are connected.)		The information is available at the website below. (https://www.kyoceradocumentsolutions.eu/en/about-us/our-brand/environmental-policy.html)
Options		➔ Optional Equipment (page 11-2)

*1 Up to upper limit height line in the cassette.

*2 This is standard for some models.

Printer Functions

Item	Description																				
Printing Speed	<table> <tr><td>A4/Letter</td><td>60 sheets/min</td></tr> <tr><td>A4-R/Letter-R</td><td>42 sheets/min</td></tr> <tr><td>A3/Ledger</td><td>30 sheets/min</td></tr> <tr><td>B4</td><td>36 sheets/min</td></tr> <tr><td>Legal</td><td>36 sheets/min</td></tr> <tr><td>B5</td><td>60 sheets/min</td></tr> <tr><td>B5-R</td><td>42 sheets/min</td></tr> <tr><td>A5-R</td><td>30 sheets/min</td></tr> <tr><td>A6-R</td><td>30 sheets/min</td></tr> <tr><td>12×18"/SRA3</td><td>30 sheets/min</td></tr> </table>	A4/Letter	60 sheets/min	A4-R/Letter-R	42 sheets/min	A3/Ledger	30 sheets/min	B4	36 sheets/min	Legal	36 sheets/min	B5	60 sheets/min	B5-R	42 sheets/min	A5-R	30 sheets/min	A6-R	30 sheets/min	12×18"/SRA3	30 sheets/min
A4/Letter	60 sheets/min																				
A4-R/Letter-R	42 sheets/min																				
A3/Ledger	30 sheets/min																				
B4	36 sheets/min																				
Legal	36 sheets/min																				
B5	60 sheets/min																				
B5-R	42 sheets/min																				
A5-R	30 sheets/min																				
A6-R	30 sheets/min																				
12×18"/SRA3	30 sheets/min																				
First Print Time (A4, feed from Cassette)	3.8 seconds or less																				
Resolution	4800 dpi equivalent × 1200 dpi																				
Operating System	Windows 7, Windows 8.1, Windows 10, Windows Server 2008/R2, Windows Server 2012/R2, Windows Server 2016, Windows Server 2019, Mac OS X 10.9 or later																				
Interface	USB Interface Connector: 1 (Hi-Speed USB) Network interface: 1 (10 BASE-T/100 BASE-TX/1000 BASE-T (IPv6, IPv4, IPSec), 802.3a supported) Optional Interface (Option): 2 (For IB-50/IB-51 mounting) Wireless LAN (Option): 1 (For IB-35 mounting)*1																				
Page Description Language	PRESCRIBE																				
Emulations	PCL6 (PCL-XL, PCL-5c), KPDL3 (PostScript3 compatible), PDF, XPS, OpenXPS																				

*1 This is standard for some models.

Paper Feeder (500-sheet×2)

Item	Description
Paper Supply Method	Friction roller feeder (No. Sheets: 550, 64 g/m ² , 2 cassettes/ No. Sheets: 500, 80 g/m ² , 2 cassettes)
Paper Size	A3, A4, A5, A6, B4, B5, B6, 216×340 mm, SRA3, Ledger, Letter, Legal, Statement, Executive, 12×18", Oficio II, Folio, 8K, 16K, ISO B5, Envelope #10, Envelope #9, Envelope #6, Envelope Monarch, Envelope DL, Envelope C5, Envelope C4, Hagaki (Cardstock), Oufuku Hagaki (Return postcard), Youkei 4, Youkei 2, Custom (98 × 148 mm to 320 × 457 mm)
Supported Paper	Paper weight: 52 to 300 g/m ² Media types: Plain, Recycled, Special paper
Dimensions (W × D × H)	23.63" × 26.19" × 12.73" 600 × 665 × 323.2 mm
Weight	Approx. 50.8 lbs. / Approx. 23 kg

Large Capacity Feeder (1,500-sheet×2)

Item	Description
Paper Supply Method	Friction roller feeder (No. Sheets: 1,750, 64 g/m ² , 2 cassettes/ No. Sheets: 1,500, 80 g/m ² , 2 cassettes)
Paper Size	A4,B5, Letter
Supported Paper	Paper weight: 52 to 300 g/m ² Media types: Plain, Recycled, Special paper
Dimensions (W × D × H)	23.63" × 26.19" × 12.73" 600 × 665 × 323.2 mm
Weight	Approx. 66.2 lbs. / Approx. 30 kg

Side Feeder (3,000-sheet)

Item	Description
Paper Supply Method	Feed & reverse roller method (No. Sheets: 3,500, 64 g/m ² / No. Sheets: 3,750, 80 g/m ²)
Paper Size	A4,B5, Letter
Supported Paper	Paper weight: 52 to 300 g/m ² Media types: Plain, Recycled, Special paper
Dimensions (W × D × H)	13.82" × 23.04" × 18.47" 351 × 585 × 469 mm
Weight	Approx. 58.5 lbs. / Approx. 26.5 kg

1,000-Sheet Finisher

Item		Description	
Number of Trays		1 tray	
Paper Size (80 g/m²)	Finisher tray (Non-stapling)	A3, A5-R, B4, B5-R, B6-R, 216×340 mm, SRA3, Ledger, Legal, Statement-R, Executive, 12×18", Oficio II, Folio, 8K, 16K-R: 500 sheets A4-R, A4, B5, Letter-R, Letter, 16K: 1,000 sheets	
Supported Paper Weight		Stapling: 90 g/m ² or less	
Stapling	Number of Sheets	A3, B4, B5-R, 216×340 mm, Ledger, Legal, 12×18", Oficio II, 16K-R, 8K	30 sheets (52 to 105 g/m ²) 2 cover sheet only (106 to 300 g/m ²)
		A4-R, A4, B5, Letter-R, Letter, 16K	50 sheets (52 to 90 g/m ²) 40 sheets (91 to 105 g/m ²) 2 cover sheet only (106 to 300 g/m ²)
	Media types	Plain, Recycled, Prepunched, Preprinted, Bond, Letterhead, Color, Coated, Thick, High Quality, Custom 1 to 8	
Dimensions (W × D × H)		21.58" × 24.36" × 41.34" 548 × 618.5 × 1,050 mm	
Weight		Approx. 66.2 lbs. or less / Approx. 30 kg or less	
Space Required (W × D) (When pulling the tray)		26.23" × 24.36" 666 × 618.5 mm	

4,000-Sheet Finisher

Item		Description	
Number of Trays		2 trays	
Paper Size (80 g/m²)	Tray A (Non-Stapling)	A3, B4, B5-R, 216×340 mm, SRA3, Ledger, Legal, Executive, 12×18", Oficio II, Folio, 8K, 16K-R: 1,500 sheets A4-R, A4, B5, Letter-R, Letter, 16K: 4,000 sheets A5-R, B6-R, Statement-R: 500 sheets	
	Tray B	A3, A4-R, A4, A5-R, A6-R, B4, B5-R, B5, B6-R, 216×340 mm, SRA3, Ledger, Letter-R, Letter, Legal, Statement-R, Executive, 12×18", Oficio II, Folio, 8K, 16K-R, 16K, ISO B5, Cardstock, Oufuku hagaki (Return postcard), Youkei 4, Youkei 2: 200 sheets	
Supported Paper Weight		Stapling: 90 g/m ² or less	
Stapling	Maximum Number	A3, B4, B5-R, 216×340 mm, Ledger, Legal, 12×18", Oficio II, 8K, 16K-R	30 sheets (52 to 105 g/m ²) 2 cover sheet only (106 to 300 g/m ²)
		A4-R, A4, B5, Letter-R, Letter, 16K	65 sheets (52 to 90 g/m ²) 55 sheets (91 to 105 g/m ²) 2 cover sheet only (106 to 300 g/m ²)
	Media types	Plain, Preprinted, Bond, Recycled, Letterhead, Color, Prepunched, Thick, Coated, High Quality, Custom 1 to 8	
Dimensions (W × D × H)		23.91" × 26.32" × 41.79" 607.2 × 668.5 × 1,061.3 mm	
Weight		Approx. 88.2 lbs. or less / Approx. 40 kg or less	
Space Required (W × D) (When pulling the tray)		28.55" × 26.32" 725 × 668.5 mm	

Punch Unit (For 1,000-Sheet/4,000-Sheet Finisher)

Item			Description
Paper Size	Inch	2 Hole	A3, A4-R, A4, A5-R, B4, B5-R, B5, Ledger, Letter-R, Letter, Legal, Statement-R, 12×18", Folio, 8K, 16K, 16K-R
		3 Hole	A3, A4, Letter, Ledger, 12×18", 8K, 16K
	cm	2 Hole	A3, A4-R, A4, A5-R, B4, B5-R, B5, Ledger, Letter-R, Letter, Legal, Statement-R, 12×18", Folio, 8K, 16K, 16K-R
		4 Hole	A3, A4, Letter, Ledger, 12×18", 8K, 16K
Paper Weight			45 - 300 g/m ²
Media types			Plain, Rough, Preprinted, Bond, Recycled, Letterhead, Color, Thick, Coated, High Quality, Custom 1 to 8

Mailbox

Item	Description
Number of Trays	7 trays
Paper Size (80 g/m²)	A3, B4, Ledger, Legal, 8K: 50 sheets A4-R, A4, A5-R, B5-R, B5, 216×340 mm, Letter-R, Letter, Statement-R, Executive, Oficio II, Folio, 16K-R, 16K: 100 sheets
Dimensions (W × D × H)	20.08" × 15.75" × 18.51" 510 × 400 × 470 mm
Weight	Approx. 22.1 lbs. / Approx. 10 kg

Folding Unit

Item	Description	
Sizes	Bi-Fold	A3, B4, A4-R, Ledger, Legal, Letter-R, Oficio II, 8K
	Saddle Stitch	A3, B4, A4-R, Ledger, Letter-R, Legal, Oficio II, 8K
	Tri-Fold	A4-R, Letter-R
Number of Sheets	Bi-Fold	5 sheets (60 to 90 g/m ²) 3 sheets (91 to 120 g/m ²) 1 sheet (121 to 256 g/m ²)
	Saddle Stitch	16 sheets (60 to 90 g/m ²) 13 sheets (91 to 105 g/m ²) 1 cover sheet only (106 g/m ² or heavier)
	Tri-Fold	5 sheets (60 to 90 g/m ²) 3 sheets (91 to 120 g/m ²)
Maximum Number for Storage (80 g/m²)	Bi-Fold	5 sheets or less per set: 30 sets or more 6 to 10 sheets per set: 20 sets or more 11 to 16 sheets per set: 10 sets or more.
	Saddle Stitch	5 sheets or less per set: 30 sets or more 6 to 10 sheets per set: 20 sets or more 11 to 16 sheets per set: 10 sets or more.
	Tri-Fold	1 sheet per set: 30 sets or more 2 to 5 sheets per set: 5 sets or more
Media types	Bi-Fold	Plain, Recycled, Preprinted, Bond, Color, Prepunched, Letterhead, Thick, Coated, High Quality, Custom 1 to 8
	Saddle Stitch	Plain, Recycled, Preprinted, Bond, Color, Prepunched, Letterhead, Thick, Coated, High Quality, Custom 1 to 8
	Tri-Fold	Plain, Recycled, Preprinted, Bond, Color, Prepunched, Letterhead, Coated, High Quality, Custom 1 to 8

Job Separator Tray

Item	Description
Number of Trays	1 tray
Maximum Sheets	100 Sheets (80 g/m ²)
Paper Size	A3, A4-R, A4, A5-R, A5, A6-R, B4, B5-R, B5, B6-R, 216×340 mm, SRA3, Ledger, Letter-R, Letter, Legal, Statement-R, Executive, 12×18", Oficio II, Folio, 8K, 16K-R, 16K, ISO B5, Envelope #10, Envelope #9, Envelope #6, Envelope Monarch, Envelope DL, Envelope C5, Envelope C4, Hagaki (Cardstock), Oufuku hagaki (Return postcard), Youkei 4, Youkei 2, Custom (98 × 148 to 304.8 × 1,220 mm)
Paper Type	Paper weight: 52 to 300 g/m ² Media types: Plain, Recycled, Special paper
Dimensions (W × D × H)	18.90" × 16.93" × 3.94" 480 × 430 × 100 mm
Weight	Approx. 1.4 lbs. / Approx. 0.6 kg

Banner Tray

Item	Description
Max. number of sheets	10 sheets (Multipurpose tray)
Paper length	210 to 304.8 mm (8.26" to 12")
Paper width	Max. 1220.0 mm (48")
Paper Type	Paper weight: 136 to 163 g/m ² Paper type: Heavy 2
Dimensions (W × D × H)	15.78" × 15.67" × 7.63" 400.6 × 397.8 × 193.6 mm
Weight	Approx. 1.2 lbs. / Approx. 0.5 kg



NOTE

Consult your dealer or service representative for recommended paper types.

Glossary

Apple Talk

AppleTalk offers file sharing and printer sharing and it also enables you to utilize application software that is on another computer on the same AppleTalk network.

Auto Form Feed Timeout

During data transmission, the machine may sometimes have to wait until receiving the next data. This is the auto form feed timeout. When the preset timeout passes, the machine automatically prints output. However, no output is performed if the last page has no data to be printed.

Auto-IP

Auto-IP is a module that enables dynamic IPv4 addresses to be assigned to a device on startup. However, DHCP requires a DHCP server. Auto-IP is a server-less method of choosing an IP address. IP addresses between 169.254.0.0 to 169.254.255.255 are reserved for Auto-IP and assigned automatically.

Auto Paper Selection

A function to automatically select paper in the same size as originals when printing.

Auto Sleep

A mode designed for electrical power saving, activated when the machine is left unused or there is no data transfer for a specific period. In Sleep mode, power consumption is kept to a minimum.

Bonjour

Bonjour, also known as zero-configuration networking, is a service that automatically detects computers, devices and services on an IP network. Bonjour, because an industry-standard IP protocol is used, allows devices to automatically recognize each other without an IP address being specified or DNS server being set. Bonjour also sends and receives network packets by UDP port 5353. If a firewall is enabled, the user must check that UDP port 5353 is left open so that Bonjour will run correctly. Some firewalls are set up so as to reject only certain Bonjour packets. If Bonjour does not run stably, check the firewall settings and ensure that Bonjour is registered on the exceptions list and that Bonjour packets are accepted. If you install Bonjour on Windows XP Service Pack 2 or later, the Windows firewall will be set up correctly for Bonjour.

Custom Box

The Custom Box function stores print data for each individual user on the printer and allows the user to print single or multiple copies of the stored data later using the printer's operation panel.

Default Gateway

This indicates the device, such as a computer or router, that serves as the entrance/exit (gateway) for accessing computers outside the network that you are on. When no specific gateway is designated for a destination IP address, data is sent to the host designated as the Default Gateway.

DHCP (Dynamic Host Configuration Protocol)

Dynamic Host Configuration Protocol (DHCP) that automatically resolves IP addresses, subnet masks, and gateway addresses on a TCP/IP network. DHCP minimizes the load of network management employing a large number of client computers because it relieves individual clients including printers from the IP address being assigned.

DHCP (IPv6)

DHCP (IPv6) is the next-generation of the Internet's Dynamic Host Configuration Protocol and supports IPv6. It extends the BOOTP startup protocol that defines the protocols used for transferring configuration information to hosts on the network. DHCP (IPv6) permits the DHCP server to use its expanded functionality to send configuration parameters to an IPv6 node. Because the network addresses that can be used are allocated automatically, the IPv6 node management workload is reduced in systems where the administrator has to exercise close control over IP address allocation.

dpi (dots per inch)

A unit for resolution, representing the number of dots printed per inch (25.4 mm).

EcoPrint Mode

A printing mode that helps save toner. Copies made in this mode are thus lighter than normal.

Emulation

The function to interpret and execute other printers' page description languages. The machine emulates operation of PCL6, KPDL3 (PostScript 3 compatible).

Enhanced WSD

Kyocera's proprietary web services.

FTP (File Transfer Protocol)

A protocol to transfer files on the TCP/IP network, whether the Internet or an intranet. Along with HTTP and SMTP/POP, FTP is now frequently used on the Internet.

Grayscale

A computer color expression. Displayed images of this sort are typically composed of shades of gray, varying from black at the weakest intensity to white at the strongest, without any other colors. Gray levels are displayed in numerical levels: that is, white and black only for 1 bit; 256 gray levels (including white and black) for 8 bits; and 65,536 gray levels for 16 bits.

Help

A ? (Help) key is provided on this machine's operation panel. If you are unsure of how to operate the machine, would like more information on its functions or are having problems getting the machine to work properly, press the ? (Help) key to view a detailed explanation on the touch panel.

IP Address

An Internet protocol address is a unique number that represents a specific computer or related device on the network. The format of an IP address is four sets of numbers separated by dots, e.g. 192.168.110.171. Each number should be between 0 and 255.

IPP

IPP (Internet Printing Protocol) is a standard that uses TCP/IP networks such as the Internet to enable print jobs to be sent between remote computers and printers. IPP is an extension of the HTTP protocol used to view websites and enables printing to be carried out via routers on printers in remote locations. It also supports the HTTP authentication mechanisms along with SSL server and client authentication as well as encryption.

Job Box

The Job Box function stores print data on the printer and allows users to print single or multiple copies of the stored data later using the printer's operation panel.

KPDL (Kyocera Page Description Language)

Kyocera's PostScript page description language compatible with Adobe PostScript Level 3.

Multipurpose (MP) Tray

The paper supply tray on the front side of the machine. Use this tray instead of the cassettes when printing onto envelopes, Hagaki (Cardstock), transparencies, or labels.

NetBEUI (NetBIOS Extended User Interface)

An interface, developed by IBM in 1985, as an update from NetBIOS. It enables more advanced functions on smaller networks than other protocols such as TCP/IP, etc. It is not suitable for larger networks due to lack of routing capabilities to choose the most appropriate routes. NetBEUI has been adopted by IBM for its OS/2 and Microsoft for its Windows as a standard protocol for file sharing and printing services.

Outline font

With outline fonts, character outlines are represented with numerical expressions and fonts can be enlarged or reduced in different ways by changing the numeric values of those expressions. Printing remains clear even if you enlarge fonts, since the characters are defined with outlines represented with numerical expressions. You can specify the font size in steps of 0.25 points up to 999.75 points.

POP3 (Post Office Protocol 3)

A standard protocol to receive E-mail from the server in which the mail is stored on the Internet or an intranet.

PostScript

A page description language developed by Adobe Systems. It enables flexible font functions and highly-functional graphics, allowing higher quality printing. The first version called Level 1 was launched in 1985, followed by Level 2 that enabled color printing and two-byte languages (e.g. Japanese) in 1990. In 1996, Level 3 was released as an update for the Internet access and PDF format as well as gradual improvements in implementation technologies.

PPM (prints per minute)

This indicates the number of A4 size printouts made in one minute.

Printer Driver

The software to enable you to print data created on any application software. The printer driver for the machine is contained in the DVD enclosed in the package. Install the printer driver on the computer connected to the machine.

RA (Stateless)

The IPv6 router communicates (transmits) information such as the global address prefix using ICMPv6. This information is the Router Advertisement (RA).

ICMPv6 stands for Internet Control Message Protocol, and is a IPv6 standard defined in the RFC 2463 "Internet Control Message Protocol (ICMPv6) for the Internet Protocol Version 6 (IPv6) Specification".

RAM Disk

Using part of the printer's memory as a virtual disk, you can set any amount of memory from overall printer memory as a RAM disk in order to use features such as electronic sorting (shortening print time).

SMTP (Simple Mail Transfer Protocol)

A protocol for E-mail transmission over the Internet or an intranet. It is used for transferring mail between mail servers as well as for sending mail from clients to their servers.

Status Page

The page lists machine conditions, such as the memory capacity, total number of prints, and paper source settings.

Subnet Mask

The subnet mask is a way of augmenting the network address section of an IP address.

A subnet mask represents all network address sections as 1 and all host address sections as 0. The number of bits in the prefix indicates the length of the network address. The term "prefix" refers to something added to the beginning and, in this context, indicates the first section of the IP address. When an IP address is written, the length of the network address is indicated by the prefix length after a forward slash (/). For example, "24" in the address "133.210.2.0/24". In this way, "133.210.2.0/24" denotes the IP address "133.210.2.0" with a 24-bit prefix (network section). This new network address section (originally part of the host address) made possible by the subnet mask is referred to as the subnet address. When you enter the subnet mask, be sure to set the "DHCP" setting to "Off".

TCP/IP (Transmission Control Protocol/Internet Protocol)

TCP/IP is a suite of protocols designed to define the way computers and other devices communicate with each other over a network.

TCP/IP (IPv6)

TCP/IP (IPv6) is based on the current Internet protocol, TCP/IP (IPv4). IPv6 is the next-generation Internet protocol and expands the available address space, which resolves the problem of the lack of addresses under IPv4, while also introducing other improvements such as additional security functionality and the capacity to prioritize data transmission.

USB (Universal Serial Bus) 2.0

A USB interface standard for Hi-Speed USB 2.0. The maximum transfer rate is 480 Mbps. This machine is equipped with USB 2.0 for high-speed data transfer.

WPS (Wi-Fi Protected Setup)

WPS is a network security standard created by Wi-Fi Alliance, to make it easy to connect with the wireless devices and set up the Wi-Fi Protected Access. The WPS-supported services can connect to the wireless access points by pushing a button or entering passphrases.

Index

Numerics

- 1,000-Sheet Finisher 11-4
- 4,000-Sheet Finisher 11-4

A

- Adjusting the Operation Panel Angle 2-11
- Adjustment/Maintenance 8-53, 10-34
 - Auto Drum Refresh 8-53
 - Calibration 8-54, 10-34
 - Calibration Cycle 8-54
 - Developer Refresh 8-54, 10-35
 - Display Brightness 8-54
 - Drum Heater 8-53
 - Drum Refresh 8-53, 10-34
 - Laser Scanner Cleaning 8-53, 10-34
 - Memory Diagnostics 8-54
 - Silent Mode 8-54
 - System Initialization 8-54
- AirPrint 4-16
- Apache License (Version 2.0) 1-13
- AppleTalk 11-27
- Application 5-9, 8-55
- Auto Error Clear 8-50
- Auto Form Feed Timeout 11-27
- Auto Panel Reset 8-50
- Auto Paper Selection 11-27
- Auto Sleep 2-35, 11-27
- Auto-IP 11-27
 - Settings 8-33, 8-35
- Automatic 2-Sided Print Function 1-16

B

- Banner Printing 4-9
- Banner Tray 11-4
 - Using 4-12
- Bates Stamp 6-24
- Bluetooth Settings 8-48
- Bonjour 11-27
 - Settings 8-37
- Booklet 6-16
- Buzzer 8-9

C

- Cables 2-6
- Canceling Jobs 5-14
- Canceling Printing 4-15
- Card Authentication Kit 11-6
- Cardstock 11-17
- Cassette
 - Loading Envelopes or Cardstock 3-10
 - Loading Paper 3-4, 3-7
 - Paper Size and Media Type 8-6
- Cassette 1 2-2
- Cassette 2 2-2
- Cassette 3 2-5
- Cassette 4 2-5

- Cassette 5 2-5
- Cassette/MP Tray Settings 8-6
- Centering 6-15
- Character Entry Method 11-9
- Checking the Counter 2-48
- Checking the Remaining Amount of Toner 7-12
- Coated Paper 11-18
- Collate/Offset 6-8
 - Default 8-15
- Colored Paper 11-18
- Combine 6-14
- Command Center RX 2-51
- Common Settings 8-9
 - Buzzer 8-9
 - Customize Status Display 8-20
 - Default Screen 8-9
 - Display Status/Log 8-20
 - Error Handling 8-13
 - Function Defaults 8-15
 - Function Key Assignment 8-15
 - Language 8-9
 - Low Toner Alert Level 8-19
 - Manual Staple 8-18
 - Measurement 8-12
 - Message Banner Print 8-20
 - Message Board Settings 8-21
 - Numeric Keypad Settings 8-21
 - Offset Documents by Job 8-18
 - Offset One Page Documents 8-19
 - Paper Output 8-14
 - Paper Settings 8-10
 - Show Power Off Message 8-22
 - System Stamp 8-16
 - Toner Waste Full Alert 8-19
 - USB Keyboard Type 8-16
- Connecting
 - LAN Cable 2-7
 - Power Cable 2-8
 - USB cable 2-8
- Connection Method 2-6
- Control Section of the Finisher 2-5
- Conventions Used in This Guide xiv
- Counting the Number of Pages Printed
 - Count by Paper Size 9-29
 - Counter 2-48
 - Each Job Account 9-31
 - Print Accounting Report 9-32
 - Total Accounting 9-30
 - Unknown ID Job 9-35
- Cover 6-19
- Custom Box 5-15, 11-27
 - Creating a New Custom Box 5-21
 - Deleting Custom Box 5-23
 - Deleting Documents 5-25
 - Editing Custom Box 5-22
 - Moving Documents 5-25
 - Printing Documents 5-24
 - Storing Documents 5-23
- Customize Status Display 8-20

D

- Data Sanitization [8-48](#)
- Data Security [8-47](#)
- Data Security Kit [11-6](#)
- Date Format [8-50](#)
- Date/Time [8-50](#)
- Date/Timer/Energy Saver [8-50](#)
 - Auto Error Clear [8-50](#)
 - Auto Panel Reset [8-50](#)
 - Date Format [8-50](#)
 - Date/Time [8-50](#)
 - EnergySaver RecoveryLevel [8-52](#)
 - Error Clear Timer [8-51](#)
 - Error Job Skip [8-51](#)
 - Low Power Timer [8-50](#)
 - Panel Reset Timer [8-50](#)
 - Ping Timeout [8-51](#)
 - Sleep Level [8-52](#)
 - Sleep Rules [8-51](#)
 - Sleep Timer [8-51](#)
 - Time Zone [8-50](#)
 - Weekly Timer Settings [8-52](#)
- Default
 - Collate/Offset [8-15](#)
 - EcoPrint [8-15](#)
 - File Name Entry [8-15](#)
 - JPEG/TIFF Print [8-16](#)
 - Margin [8-15](#)
 - Toner Save Level (EcoPrint) [8-15](#)
 - XPS Fit to Page [8-16](#)
 - Zoom [8-15](#)
- Default Gateway [11-27](#)
 - Settings [8-33](#), [8-35](#)
- Default Screen [8-9](#)
- Delete after Printed [6-26](#)
- Developer Refresh [8-54](#), [10-35](#)
- Device [7-11](#)
- Device Information [2-16](#)
- DHCP [11-27](#)
 - Settings [8-33](#), [8-35](#)
- DHCP (IPv6) [11-28](#)
 - Settings [8-34](#), [8-36](#)
- Display Setting Screen [2-16](#)
- Display Status/Log [8-20](#)
- Disposing of the Punch Waste
 - 1,000-Sheet Finisher [10-12](#)
 - 4,000-Sheet Finisher [10-13](#)
- Document Box
 - Basic Operation [5-16](#)
 - Custom Box [5-15](#)
 - Job Box [4-18](#), [5-15](#)
- Document Box/Removable Memory
 - Custom Box [8-22](#)
 - Job Box [8-22](#)
 - Quick Setup Registration [8-22](#)
- dpi [11-28](#)
- Drum Refresh [8-53](#), [10-34](#)
- Duplex [6-18](#)

E

- EcoPrint [6-13](#), [11-28](#)
 - Default [8-15](#)
 - Printer [8-23](#)
- E-mail Settings [2-55](#)
- Emulation [11-28](#)
 - Selection [8-23](#)
- Emulation Upgrade Kit [11-6](#)
- Encrypted PDF Password [6-26](#)
- Energy Saver Recovery Level [2-35](#), [8-52](#)
- Energy Saving Control Function [1-16](#)
- Energy Star (ENERGY STAR®) Program [1-16](#)
- Enhanced VNC over SSL
 - Protocol Settings [8-41](#)
- Enhanced WSD [11-28](#)
 - Protocol Settings [8-39](#)
- Enhanced WSD over SSL
 - Protocol Settings [8-39](#)
- Enter key [2-20](#)
- Entering Numbers [2-19](#)
- Entry
 - File Name [6-25](#)
- Envelope Feed Guide [3-10](#)
- Envelope Stack Guide [3-18](#)
- Envelopes [11-17](#)
- Environment [1-3](#)
- Error Clear Timer [8-51](#)
- Error Handling [8-13](#)
 - Duplexing Error [8-13](#)
 - Finished Pages Exceeded [8-13](#)
 - Finishing Error [8-13](#)
 - Inserted Paper Mismatch [8-14](#)
 - No Staple Error [8-13](#)
 - Paper Jam before Staple [8-14](#)
 - Paper Mismatch Error [8-13](#)
 - Punch Waste Full Error [8-13](#)

F

- File Name Entry [6-25](#)
 - Default [8-15](#)
- Finisher Tray [2-5](#)
- First Print Time [11-21](#)
- First Printed Side Support [2-2](#)
- Fold [6-7](#)
- Folding Tray [2-5](#)
- Folding Unit [11-4](#)
- Form Overlay [6-20](#)
- Front Cover [2-2](#)
- FTP [11-28](#)
- FTP Server (Reception)
 - Protocol Settings [8-38](#)
- Function Key Assignment [2-12](#), [8-15](#)
- Functions Key [2-17](#)

G

- Glossary [11-27](#)
- Google Cloud Print [4-16](#)
- GPL/LGPL [1-11](#)
- Grayscale [11-28](#)

- Group Authorization Settings 9-9
 - Group Authorization 9-9
 - Group List 9-9
- Guest Authorization Set. 9-11
 - Guest Authorization 9-11
 - Guest Property 9-11
- Guides Provided with the Machine xii

H

- Handles 2-2
- Hard Disk/SSD Initialization 8-47
- Help 11-28
- Help Screen 2-21
- Home 8-22
 - Customize Desktop 2-14
 - Customize Taskbar 2-14
 - Wallpaper 2-14
- Home Screen 2-13
- Host Name 8-30
- HTTP
 - Protocol Settings 8-40
- HTTPS
 - Protocol Settings 8-40

I

- Install
 - Macintosh 2-46
 - Software 2-39
 - Uninstalling 2-45
 - Windows 2-40
- Interface Block Setting 8-46
- Internet 8-55
 - Proxy 8-41
- Internet Browser 5-28
- IP Address 11-28
 - Settings 8-33, 8-35
- IPP 11-28
 - Protocol Settings 8-39
- IPP over SSL
 - Protocol Settings 8-40
- IPSec 8-37

J

- Job
 - Available Status 7-2
 - Canceling 7-9
 - Checking History 7-7
 - Checking Status 7-2
 - Detailed Information 7-6
 - Detailed Information of Histories 7-8
 - Details of the Status Screens 7-3
 - Displaying History Screen 7-7
 - Displaying Status Screens 7-2
 - Pause and Resumption 7-9
 - Priority Override 7-9
 - Reordering Print Jobs 7-10
 - Sending the Log History 7-8, 8-27

- Job Accounting 9-20
 - Adding an Account 9-22
 - Apply Limit 9-34
 - Counting the Number of Pages Printed 9-30
 - Default Setting 9-28
 - Deleting an Account 9-25
 - Editing an Account 9-23
 - Enabling Job Accounting 9-21
 - Job Accounting Access 9-21
 - Login 9-33
 - Logout 9-33
 - Overview of Job Accounting 9-20
 - Print Accounting Report 9-32
 - Printing 9-26
 - Restricting the Use of the Machine 9-23
- Job Box 4-18, 11-29
 - Deletion of Job Retention 8-22
 - Private Print Box 4-19
 - Proof and Hold Box 4-22
 - Quick Copy Box 4-21
 - Quick Copy Job Retention 8-22
 - Specifying the Job Box from a Computer and Storing the Job 4-18
 - Stored Job Box 4-20
- Job Finish Notice 6-25
- Job Separator 11-5
- Job Separator Tray 2-5
- JPEG/TIFF Print 6-26
 - Default 8-16

K

- Key Counter 11-5
- Knopflerfish License 1-13
- KPDL 11-29

L

- Label 11-16
- LAN Cable 2-6
 - Connecting 2-7
- LAN Interface 8-37
- Language 8-9
- Large Capacity Feeder (1,500-sheet*2) 11-4
 - Loading Paper 3-14
- Laser Scanner Cleaning 8-53, 10-34
- LDAP
 - Protocol Settings 8-40
- Legal Information 1-10
- Limited Use of This Product 1-9
- Loading Paper 10-6
- Login 2-22
- Logout 2-23
- Low Power Mode 2-34
- Low Power Timer 8-50
- Low Toner Alert Level 8-19
- LPD
 - Protocol Settings 8-38

M

- Mailbox 11-4

- Main Power Switch [2-2](#)
- Main Tray [2-2](#)
- Management [9-1](#)
- Manual Setting (IPv6) [8-34](#), [8-36](#)
- Manual Staple [5-30](#), [8-18](#)
- Margin [6-15](#)
 - Default [8-15](#)
- Margin/Centering [6-15](#)
- Measurement [8-12](#)
- Media Type Setting [8-12](#)
- Memory Diagnostics [8-54](#)
- Message Banner Print [8-20](#)
- Message Board Settings [8-21](#)
- Monotype Imaging License Agreement [1-12](#)
- Mopria [4-16](#)
- MP Tray Setting
 - Paper Size and Media Type [8-7](#)
- Multipurpose Tray [2-3](#), [11-29](#)
 - Loading Envelopes or Cardstock [5-4](#)
 - Loading Index Paper [5-5](#)
 - Loading Paper [5-2](#)
 - Paper Size and Media Type [8-7](#)

N

- NetBEUI [11-29](#)
 - Protocol Settings [8-38](#)
- NetWare
 - Settings [8-42](#)
- Network Interface [2-6](#)
- Network Interface Connector [2-4](#)
- Network Interface Kit [11-5](#)
- NFC
 - Printing [4-17](#)
 - Settings [2-33](#), [8-49](#)
- Notice [1-2](#)
- Numeric Keypad [11-5](#)
- Numeric Keypad Settings [8-21](#)

O

- Offset Documents by Job [8-18](#)
- Offset One Page Documents [8-19](#)
- OpenSSL License [1-11](#)
- Operation Panel [2-2](#)

Option

- 1,000-Sheet Finisher [11-4](#)
- 4,000-Sheet Finisher [11-4](#)
- Banner Tray [11-4](#)
- Card Authentication Kit [11-6](#)
- Data Security Kit [11-6](#)
- Emulation Upgrade Kit [11-6](#)
- Folding Unit [11-4](#)
- Job Separator [11-5](#)
- Key Counter [11-5](#)
- Large Capacity Feeder (1,500-sheet×2) [11-4](#)
- Mailbox [11-4](#)
- Network Interface Kit [11-5](#)
- Numeric Keypad [11-5](#)
- Overview [11-2](#)
- Paper Feeder (500-sheet×2) [11-4](#)
- Punch Unit [11-5](#)
- Side Feeder (3,000-sheet) [11-4](#)
- ThinPrint Option [11-6](#)
- Wireless Network Interface Kit [11-5](#)

Option Interface Slot [2-4](#)

Optional Applications [11-7](#)

Optional Function [8-48](#)

Optional Network

- Basic [8-42](#)
- Wireless Network [8-43](#)

Original SSLeay License [1-11](#)

Outline font [11-29](#)

P

- Page # [6-21](#)
- Panel Reset Timer [8-50](#)
- Paper
 - Checking the Remaining Amount of Paper [7-12](#)
 - Appropriate Paper [11-13](#)
 - Custom Paper Size [8-10](#)
 - Default Paper Source [8-10](#)
 - Loading Cardstock [3-10](#), [5-4](#)
 - Loading Envelopes [3-10](#), [5-4](#)
 - Loading in the Large Capacity Feeder [3-14](#)
 - Loading in the Side Feeder [3-16](#)
 - Loading Index Paper [5-5](#)
 - Loading Paper [3-2](#), [5-2](#)
 - Loading Paper in the Cassette 1 [3-4](#)
 - Loading Paper in the Cassette 2 [3-7](#)
 - Loading Paper in the Multipurpose Tray [5-2](#)
 - Media Type Setting [8-10](#)
 - Paper Source for Cover [8-11](#)
 - Precaution for Loading Paper [3-2](#)
 - Selecting the Paper Feeder Units [3-3](#)
 - Settings [8-10](#)
 - Show Paper Setup Message [8-11](#)
 - Size and Media Type [8-6](#), [11-12](#)
 - Special Paper [11-15](#)
 - Special Paper Action [8-11](#)
 - Specifications [11-12](#)
 - Weight [8-12](#)
- Paper Feed Mode [8-24](#)
- Paper Feeder (500-sheet×2) [11-4](#)

- Paper Jams [10-36](#)
 - 1,000-Sheet Finisher [10-62](#)
 - 4,000-sheet Finisher (Inner) [10-65](#)
 - 4,000-sheet Finisher (Tray A) [10-66](#)
 - 4,000-sheet Finisher (Tray B) [10-70](#)
 - Bridge Unit [10-60](#)
 - Cassette 1 [10-37](#)
 - Cassette 2 [10-40](#)
 - Cassette 3 (1,500-sheet×2) [10-45](#)
 - Cassette 3 and 4 (500-sheet×2) [10-43](#)
 - Cassette 4 (1,500-sheet×2) [10-47](#)
 - Cassette 5 (Side Feeder) [10-50](#)
 - Folding Tray [10-78](#)
 - Folding Unit [10-73](#)
 - Jam Location Indicators [10-36](#)
 - Mailbox [10-61](#)
 - Multipurpose Tray [10-52](#)
 - Right Cover 1 [10-53](#)
 - Right Cover 2 (1,500-sheet×2) [10-58](#)
 - Right Cover 2 (500-sheet×2) [10-57](#)
 - Paper Length Guide [2-3, 3-4, 3-7](#)
 - Paper Output [6-12, 8-14](#)
 - Paper Selection [6-5](#)
 - Paper Settings [8-10](#)
 - Paper Stopper [2-2, 3-18](#)
 - Paper Width Adjusting Tab [2-3](#)
 - Paper Width Guide [2-3, 3-5, 3-8](#)
 - Part Names [2-2](#)
 - PIN Code Authorization [9-18](#)
 - Ping [8-42](#)
 - POP3 [11-29](#)
 - POP3 (E-mail RX)
 - Protocol Settings [8-37](#)
 - PostScript [11-29](#)
 - Power Cable
 - Connecting [2-8](#)
 - Power Management [1-16](#)
 - Power Off [2-9](#)
 - Power On [2-9](#)
 - Power Switch [2-2](#)
 - PPM [11-29](#)
 - Precaution for Loading Paper [3-2](#)
 - Precautions for Use [1-4](#)
 - Preprinted Paper [11-18](#)
 - Primary Network (Client) [8-45](#)
 - Print Report
 - Configuration List [8-27](#)
 - Font List [8-26](#)
 - Network Status [8-26](#)
 - Optional Network Status [8-27](#)
 - Service Status [8-26](#)
 - Status Page [8-26](#)
 - Print Settings [4-2](#)
 - Printer [8-23](#)
 - Auto Cassette Change [8-24](#)
 - Copies [8-23](#)
 - CR Action [8-24](#)
 - Duplex [8-23](#)
 - EcoPrint [8-23](#)
 - Emulation [8-23](#)
 - Form Feed TimeOut [8-23](#)
 - Job Name [8-24](#)
 - KIR [8-25](#)
 - LF Action [8-24](#)
 - MP Tray Priority [8-24](#)
 - Orientation [8-23](#)
 - Override A4/Letter [8-23](#)
 - Paper Feed Mode [8-24](#)
 - Print Setting [4-2](#)
 - Printing Job Terminator [8-25](#)
 - Resolution [8-25](#)
 - Toner Save Level (EcoPrint) [8-23](#)
 - User Name [8-24](#)
 - Wide A4 [8-24](#)
 - Printer Driver [11-29](#)
 - Changing the Default Printer Driver Settings [4-3](#)
 - Help [4-3](#)
 - Print Settings [4-2](#)
 - Printing Documents Stored in Removable USB Memory [5-26](#)
 - Printing from PC [4-4](#)
 - Banner Printing [4-9](#)
 - Non-standard Sized Paper [4-6](#)
 - Standard Sized Paper [4-4](#)
 - Priority Override [6-25, 7-9](#)
 - Product Library [xii](#)
 - Program [5-6](#)
 - Deleting [5-8](#)
 - Editing [5-7](#)
 - Recalling [5-7](#)
 - Registering [5-6](#)
 - Punch [6-11](#)
 - Punch Unit [11-5](#)
- Q**
- Quick No. Search key [2-20](#)
 - Quick Setup Registration [8-22](#)
 - Quick Setup Wizard [2-37](#)
- R**
- RA (Stateless) [11-29](#)
 - Settings [8-34, 8-36](#)
 - RAM Disk [11-30](#)
 - Raw
 - Protocol Settings [8-38](#)
 - Recycled Paper [11-18](#)
 - Regarding Trade Names [1-10](#)
 - Regular Maintenance [10-2](#)
 - Replace the Waste Toner Box [10-5](#)
 - Replacing Staples
 - 1,000-Sheet Finisher [10-7](#)
 - 4,000-Sheet Finisher [10-8](#)
 - Folding Unit [10-10](#)

- Report [8-26](#)
 - Device Log History Settings [8-28](#)
 - Login History Settings [8-27](#)
 - Print Report [8-26](#)
 - Secure Comm. Error Log [8-29](#)
 - Sending Log History [8-27](#)
 - Resolution [8-25, 11-21](#)
 - Resource Saving - Paper [1-16](#)
 - Responding to Messages [10-23](#)
 - Restart Entire Device [8-49](#)
 - Restart Network [8-34, 8-42](#)
 - Right Cover 1 [2-3](#)
 - Right Cover 1 Lever [2-3](#)
- S**
- Safety Conventions in This Guide [1-2](#)
 - Security Level [8-45](#)
 - Security Precautions when Using Wireless LAN [1-8](#)
 - Setting Date and Time [2-24](#)
 - Shortcuts [5-12](#)
 - Adding [5-12](#)
 - Deleting Shortcuts [5-13](#)
 - Editing Shortcuts [5-13](#)
 - Show Power Off Message [8-22](#)
 - Side Feeder (3,000-sheet) [11-4](#)
 - Loading Paper [3-16](#)
 - Silent Mode [8-54](#)
 - Simple Login [2-23](#)
 - Simple Login Settings
 - Simple Login [9-15](#)
 - Simple Login Setup [9-15](#)
 - Sleep [2-34](#)
 - Sleep Level [2-35, 8-52](#)
 - Energy Saver [8-52](#)
 - Quick Recovery [8-52](#)
 - Sleep Rules [2-35, 8-51](#)
 - Sleep Timer [8-51](#)
 - SMTP [11-30](#)
 - SMTP (E-mail TX)
 - Protocol Settings [8-37](#)
 - SNMPv1/v2c
 - Protocol Settings [8-39](#)
 - SNMPv3
 - Protocol Settings [8-39](#)
 - Software Verification [8-48](#)
 - Solving Malfunctions [10-16](#)
 - Specifications [11-19](#)
 - 1,000-Sheet Finisher [11-23](#)
 - 4,000-Sheet Finisher [11-24](#)
 - Banner Tray [11-26](#)
 - Folding Unit [11-25](#)
 - Job Separator Tray [11-26](#)
 - Large Capacity Feeder (1,500-sheet×2) [11-22](#)
 - Machine [11-19](#)
 - Mailbox [11-25](#)
 - Paper Feeder (500-sheet×2) [11-22](#)
 - Printer Functions [11-21](#)
 - Punch Unit (For 1,000-Sheet/4,000-Sheet Finisher) [11-24](#)
 - Side Feeder (3,000-sheet) [11-22](#)
 - SSD Initialization [8-47](#)
 - SSL
 - Security Settings [8-41](#)
 - Stack Level Adjuster [3-19](#)
 - Staple Jam
 - 1,000-Sheet Finisher [10-83](#)
 - 4,000-Sheet Finisher [10-86](#)
 - Folding Unit [10-88](#)
 - Staple/Punch [6-9](#)
 - Status Monitor [4-23](#)
 - Accessing [4-23](#)
 - Exiting [4-23](#)
 - Notification Settings [4-26](#)
 - Status Page [11-30](#)
 - Status/Job Cancel [7-1](#)
 - Subnet Mask [11-30](#)
 - Settings [8-33, 8-35](#)
 - Supplies
 - Checking the Remaining Amount [7-12](#)
 - Support Tray Section of the Multipurpose Tray [2-3](#)
 - Symbols [1-2](#)
 - System Initialization [8-54](#)
 - System Menu [8-2](#)
 - Adjustment/Maintenance [8-53](#)
 - Application [8-55](#)
 - Cassette/MP Tray Settings [8-6](#)
 - Common Settings [8-9](#)
 - Counter [2-48](#)
 - Date/Timer/Energy Saver [8-50](#)
 - Document Box/Removable Memory [8-22](#)
 - Home [2-13](#)
 - Internet [8-55](#)
 - Operation Method [8-2](#)
 - Printer [8-23](#)
 - Quick Setup Wizard [2-37](#)
 - Report [8-26](#)
 - System/Network [8-30](#)
 - User Login/Job Accounting [8-49](#)
 - User Property [8-50, 9-5](#)
 - System Stamp [8-16](#)
 - System/Network [8-30](#)
 - Bluetooth Settings [8-48](#)
 - Data Security [8-47](#)
 - Interface Block Setting [8-46](#)
 - Network [8-30](#)
 - NFC [8-49](#)
 - Optional Function [8-48](#)
 - Optional Network [8-42](#)
 - Primary Network (Client) [8-45](#)
 - Restart Entire Device [8-49](#)
 - Security Level [8-45](#)

T

 - TCP/IP [11-30](#)
 - Settings [8-33, 8-35](#)
 - TCP/IP (IPv4)
 - Settings [2-25, 8-33, 8-35](#)
 - TCP/IP (IPv6) [11-28](#)
 - Settings [8-34, 8-36](#)
 - Text Stamp [6-23](#)

Thick Paper [11-17](#)
Thin Print over SSL
 Protocol Settings [8-38](#)
ThinPrint
 Protocol Settings [8-38](#)
ThinPrint Option [11-6](#)
Time Zone [8-50](#)
Toner Container (Black) [2-4](#)
Toner Container Replacement [10-2](#)
Toner Waste Full Alert [8-19](#)
Touch Panel [2-13](#)
Transparencies [11-15](#)
Tray 1 to 7 [2-5](#)
Tray A [2-5](#)
Tray B [2-5](#)
Troubleshooting [10-16](#)
 Machine Operation Trouble [10-16](#)
 Printed Image Trouble [10-19](#)
 Solving Malfunctions [10-16](#)

U

USB [11-30](#)
USB Cable [2-6](#)
 Connecting [2-8](#)
USB Interface [2-6](#)
USB Interface Connector [2-4](#)
USB Keyboard Type [8-16](#)
USB Memory
 Check the Information [5-27](#)
 Printing [5-26](#)
 Remove [5-27](#)
USB Memory Slot [2-2](#)
USB Port [2-4](#)
User Login Administration [9-2](#)
 Changing User Properties [9-4](#)
 Enabling User Login Administration [9-3](#)
 Group Authorization Settings [9-9](#)
 Guest Authorization Set. [9-11](#)
 ID Card Settings [9-17](#)
 Login [2-22](#)
 Logout [2-23](#)
 Obtain NW User Property [9-13](#)
 Overview of User Login Administration [9-2](#)
 PIN Code Authentication [9-18](#)
 Printing [9-7](#)
 Simple Login Settings [9-15](#)
User Login/Job Accounting [8-49](#)
 Job Accounting [9-20](#)
 Unknown User Settings [9-35](#)
 User Login [9-2](#)
User Property [8-50](#)

V

VNC (RFB)
 Protocol Settings [8-40](#)
VNC (RFB) over SSL
 Protocol Settings [8-40](#)

W

Waste Toner Box [2-4](#)
Waste Toner Box Cover [2-2, 2-4](#)
Weekly Timer Settings [2-35, 8-52](#)
Wide A4 [8-24](#)
Wi-Fi
 Settings [2-27, 8-31](#)
Wi-Fi Direct
 Printing [4-16](#)
 Settings [2-31, 8-30](#)
Wireless Connection [1-8](#)
Wireless Network
 Settings [2-27, 8-43](#)
Wireless Network Interface Kit [11-5](#)
WPS (Wi-Fi Protected Setup) [11-30](#)
WSD Print
 Protocol Settings [8-39](#)

X

XPS Fit to Page [6-26](#)
 Default [8-16](#)

Z

Zoom [6-13](#)
 Default [8-15](#)

**QUALITY
CERTIFICATE**

This machine has passed
all quality controls and
final inspection

KYOCERA Document Solutions America, Inc.**Headquarters**

225 Sand Road,
Fairfield, New Jersey 07004-0008, USA
Phone: +1-973-808-8444
Fax: +1-973-882-6000

Latin America

8240 NW 52nd Terrace Dawson Building, Suite 100
Miami, Florida 33166, USA
Phone: +1-305-421-6640
Fax: +1-305-421-6666

KYOCERA Document Solutions Canada, Ltd.

6120 Kestrel Rd., Mississauga, ON L5T 1S8,
Canada
Phone: +1-905-670-4425
Fax: +1-905-670-8116

KYOCERA Document Solutions**Mexico, S.A. de C.V.**

Calle Arquimedes No. 130, 4 Piso, Colonia Polanco
Chapultepec, Delegacion Miguel Hidalgo,
Distrito Federal, C.P. 11560, México
Phone: +52-555-383-2741
Fax: +52-555-383-7804

KYOCERA Document Solutions Brazil, Ltda.

Alameda África, 545, Pólo Empresarial Consbrás,
Tamboré, Santana de Parnaíba, State of São Paulo, CEP
06543-306, Brazil
Phone: +55-11-2424-5353
Fax: +55-11-2424-5304

KYOCERA Document Solutions Chile SpA

Jose Ananias 505, Macul. Santiago, Chile
Phone: +562-2350-7000
Fax: +562-2350-7150

KYOCERA Document Solutions**Australia Pty. Ltd.**

Level 3, 6-10 Talavera Road North Ryde N.S.W, 2113,
Australia
Phone: +61-2-9888-9999
Fax: +61-2-9888-9588

KYOCERA Document Solutions**New Zealand Ltd.**

Ground Floor, 19 Byron Avenue, Takapuna, Auckland,
New Zealand
Phone: +64-9-415-4517
Fax: +64-9-415-4597

KYOCERA Document Solutions Asia Limited

13/F., Mita Centre, 552-566, Castle Peak Road Tsuen Wan,
New Territories, Hong Kong
Phone: +852-2496-5678
Fax: +852-2610-2063

KYOCERA Document Solutions**(China) Corporation**

8F, No. 288 Nanjing Road West, Huangpu District,
Shanghai, 200003, China
Phone: +86-21-5301-1777
Fax: +86-21-5302-8300

KYOCERA Document Solutions**(Thailand) Corp., Ltd.**

335 Ratchadapisek Road, Wongsawang, Bangsue,
Bangkok 10800,
Thailand
Phone: +66-2-586-0333
Fax: +66-2-586-0278

KYOCERA Document Solutions**Singapore Pte. Ltd.**

12 Tai Seng Street #04-01A,
Luxasia Building, Singapore 534118
Phone: +65-6741-8733
Fax: +65-6748-3788

KYOCERA Document Solutions**Hong Kong Limited**

16/F., Mita Centre, 552-566, Castle Peak Road Tsuen Wan,
New Territories, Hong Kong
Phone: +852-3582-4000
Fax: +852-3185-1399

KYOCERA Document Solutions**Taiwan Corporation**

6F., No.37, Sec. 3, Minquan E. Rd.,
Zhongshan Dist., Taipei 104, Taiwan R.O.C.
Phone: +886-2-2507-6709
Fax: +886-2-2507-8432

KYOCERA Document Solutions Korea Co., Ltd.

#10F Daewoo Foundation Bldg 18, Toegye-ro, Jung-gu,
Seoul, Korea
Phone: +822-6933-4050
Fax: +822-747-0084

KYOCERA Document Solutions**India Private Limited**

Second Floor, Centrum Plaza, Golf Course Road,
Sector-53, Gurgaon, Haryana 122002, India
Phone: +91-0124-4671000
Fax: +91-0124-4671001

KYOCERA Document Solutions Europe B.V.

Bloemlaan 4, 2132 NP Hoofddorp,
The Netherlands
Phone: +31-20-654-0000
Fax: +31-20-653-1256

KYOCERA Document Solutions Nederland B.V.

Beechavenue 25, 1119 RA Schiphol-Rijk,
The Netherlands
Phone: +31-20-5877200
Fax: +31-20-5877260

KYOCERA Document Solutions (U.K.) Limited

Eldon Court, 75-77 London Road,
Reading, Berkshire RG1 5BS,
United Kingdom
Phone: +44-118-931-1500
Fax: +44-118-931-1108

KYOCERA Document Solutions Italia S.p.A.

Via Monfalcone 15, 20132, Milano, Italy,
Phone: +39-02-921791
Fax: +39-02-92179-600

KYOCERA Document Solutions Belgium N.V.

Sint-Martinusweg 199-201 1930 Zaventem,
Belgium
Phone: +32-2-7209270
Fax: +32-2-7208748

KYOCERA Document Solutions France S.A.S.

Espace Technologique de St Aubin
Route de l'Orme 91195 Gif-sur-Yvette CEDEX,
France
Phone: +33-1-69852600
Fax: +33-1-69853409

KYOCERA Document Solutions Espana, S.A.

Edificio Kyocera, Avda. de Manacor No.2,
28290 Las Matas (Madrid), Spain
Phone: +34-91-6318392
Fax: +34-91-6318219

KYOCERA Document Solutions Finland Oy

Atomitie 5C, 00370 Helsinki,
Finland
Phone: +358-9-47805200
Fax: +358-9-47805212

KYOCERA Document Solutions**Europe B.V., Amsterdam (NL) Zürich Branch**

Hohlstrasse 614, 8048 Zürich,
Switzerland
Phone: +41-44-9084949
Fax: +41-44-9084950

**KYOCERA Bilgitas Document Solutions
Turkey A.S.**

Gülbahar Mahallesi Otello Kamil Sk. No:6 Mecidiyeköy
34394 Şişli İstanbul, Turkey
Phone: +90-212-356-7000
Fax: +90-212-356-6725

**KYOCERA Document Solutions
Deutschland GmbH**

Otto-Hahn-Strasse 12, 40670 Meerbusch,
Germany
Phone: +49-2159-9180
Fax: +49-2159-918100

KYOCERA Document Solutions Austria GmbH

Wienerbergstraße 11, Turm A, 18. OG, 1100 Wien,
Austria
Phone: +43-1-863380
Fax: +43-1-86338-400

KYOCERA Document Solutions Nordic AB

Esbogatan 16B 164 75 Kista, Sweden
Phone: +46-8-546-550-00
Fax: +46-8-546-550-10

KYOCERA Document Solutions Norge Nuf

Olaf Helsetsv. 6, 0619 Oslo, Norway
Phone: +47-22-62-73-00
Fax: +47-22-62-72-00

KYOCERA Document Solutions Danmark A/S

Ejby Industrivej 60, DK-2600 Glostrup,
Denmark
Phone: +45-70223880
Fax: +45-45765850

KYOCERA Document Solutions Portugal Lda.

Rua do Centro Cultural, 41 (Alvalade) 1700-106 Lisboa,
Portugal
Phone: +351-21-843-6780
Fax: +351-21-849-3312

KYOCERA Document Solutions**South Africa (Pty) Ltd.**

KYOCERA House, Hertford Office Park,
90 Bekker Road (Cnr. Allandale), Midrand, South Africa
Phone: +27-11-540-2600
Fax: +27-11-466-3050

KYOCERA Document Solutions Russia LLC.

Building 2, 51/4, Schepkina St., 129110, Moscow,
Russia
Phone: +7(495)741-0004
Fax: +7(495)741-0018

KYOCERA Document Solutions Middle East

Dubai Internet City, Bldg. 17,
Office 157 P.O. Box 500817, Dubai,
United Arab Emirates
Phone: +971-04-433-0412

KYOCERA Document Solutions Inc.

2-28, 1-chome, Tamatsukuri, Chuo-ku
Osaka 540-8585, Japan
Phone: +81-6-6764-3555
<http://www.kyoceradocumentsolutions.com>

